

TABLE OF CONTENTS	
SHEET NO.	SHEET DESCRIPTION
1	NOTES AND BOM
2	CONFIGURATIONS
3-4	KEY CONFIGURATIONS
5	RECEPTACLE CONNECTOR ASSEMBLY
6	BACKSHELL NOTES
7	BACKSHELL
8	BACKSHELL CONFIGURATIONS

NOTES: VALID UNLESS OTHERWISE SPECIFIED

1. GENERAL:
- a. APPLICATION SPECIFICATION SEE: AS-33472-100
- CONTAINS: PRODUCT INTRODUCTION, PRODUCT SUMMARY, CONNECTOR ASSEMBLY, PACKAGING INFORMATION, CONNECTOR MATING, SERVICE INSTRUCTIONS, ELECTRICAL CONTINUITY CHECKING, CRIMPING, AND TROUBLESHOOTING.
 - DESIGNED TO MATE WITH DEVICE OR CONNECTOR AS SPECIFIED IN THE MATING INTERFACE/CONNECTOR DRAWINGS CHART.
 - *DENOTES DRAWINGS THAT CAN BE ACCESSED AT <<http://ewcap.uscarteams.org/>>.
 - ASSEMBLY SHIPPED WITH PLR IN PRE-LOCK POSITION (SEE PLR PRE-LOCK VIEW SHEET 5).

- b. PRODUCT SPECIFICATION SEE:
- STANDARD CONFIGURATION: PS-33471-000
 - UL V0 CONFIGURATION: PS-160105-0001
 - CONTAINS: PRODUCT INTRODUCTION, PRODUCT SUMMARY, RATINGS (CURRENT, TEMPERATURE, SEALING, AND FLAMMABILITY), TERMINALS, WIRE DIAMETER RANGE, PRODUCT VALIDATION, AND PRODUCT DEVIATIONS.

c. PACKAGING SPECIFICATION PER MOLEX DRAWING: SEE PACKAGING CHART

d. PARTS MUST BE IN COMPLIANCE TO MOLEX CHEMICAL SUBSTANCES FOR PRODUCTS AND PACKAGING SPECIFICATION: QEHS-699000-301

e. DATA MUST BE SUBMITTED UNDER THE MOLEX PART NUMBER TO IMDS (COMPANY ID#13255)

2. DESIGN - MATERIALS:

- a. FOR BILL OF MATERIALS SEE:
- STANDARD CONFIGURATION SD-33471-0002
 - UL V0 CONFIGURATION SD-160105-0002

3. DESIGN - GEOMETRY:

a. THE 3-D CAD DATA IS BASIC (WITHOUT TOLERANCE) AND MASTER FOR THIS PART WITH THE EXCEPTION OF UNDERLINED DIMENSIONS. DIMENSIONAL INFORMATION NOT SHOWN ON THIS DRAWING IS DEFINED BY THE DATA FILE AT ITS LATEST REVISION.

b. GEOMETRIC DIMENSIONS AND TOLERANCES PER ASME Y14.5M-2009

c. EDGES AND UNDIMENSIONED DETAILS PER ISO13715

d. CORNERS SHOWN AS SHARP TO BE R 0.2 MAX.

e. LETTERING SHALL BE 0.15 MAX RAISED IN 0.25 MAX RECESS PAD. THIS INCLUDES RECYCLING CODE, CAVITY ID, VENDOR IDENTIFICATION, AND CUSTOMER MATERIAL NUMBER.

f. VISUAL DEFECTS SHALL MEET COSMETIC STANDARD PS-45499-002 (Class B).

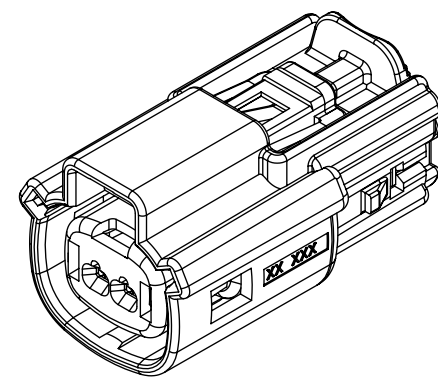
g. LASER MARKING:

- PART NUMBER
- DAY OF THE YEAR
- SHIFT
- YEAR

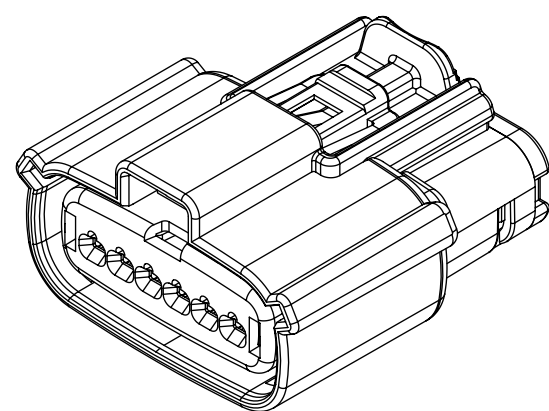
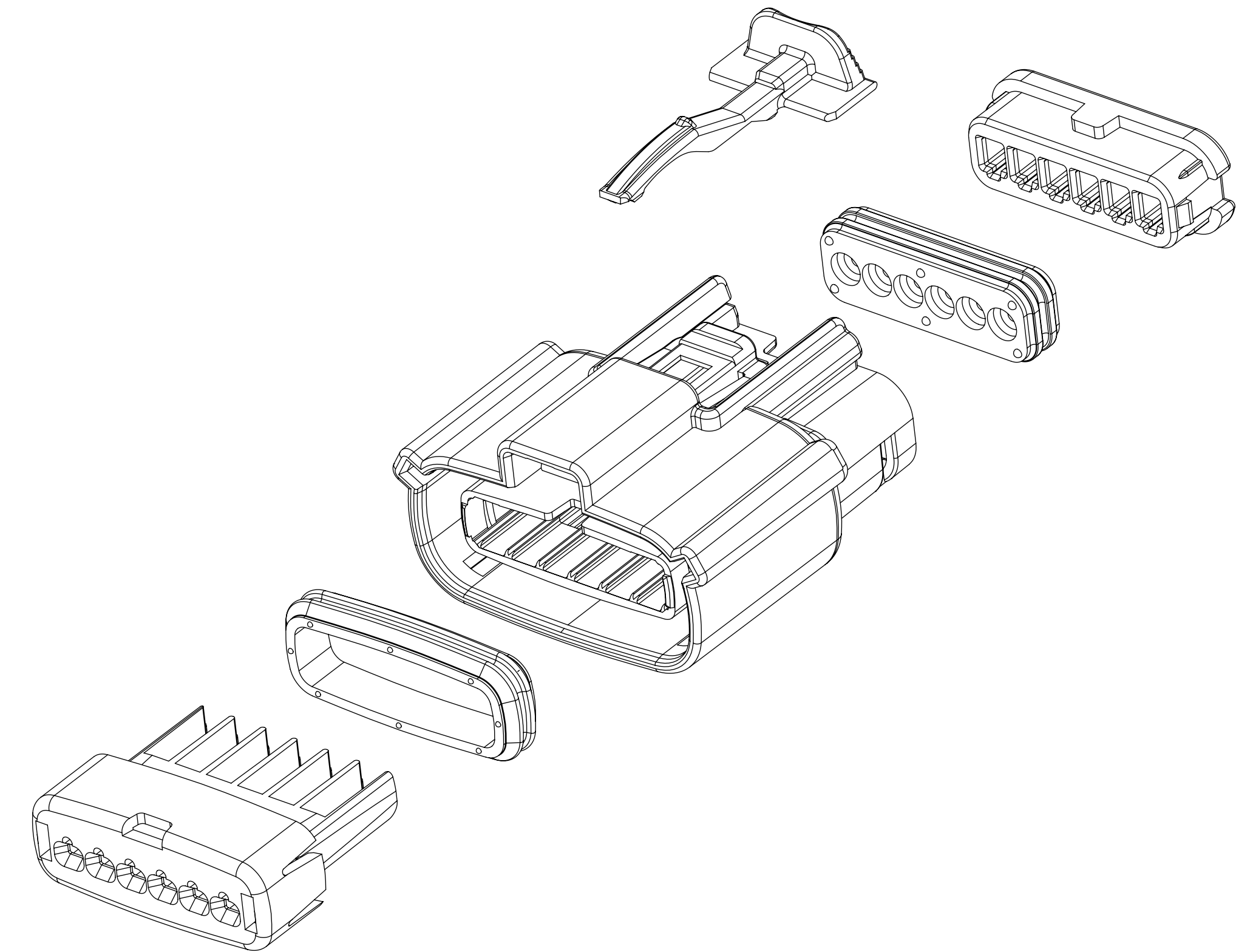
FOR ADDITIONAL INFORMATION SEE SECTION 5 UNDER PROCEDURES IN ES-34735-008.

PACKAGING	
DESCRIPTION	DRAWING NO.
1X2	PK-31300-635
1X6	PK-31300-903

MATING INTERFACE/CONNECTOR DRAWINGS		
DESCRIPTION	INTERFACE DEFINITION	MOLEX INLINE
1X2	*150-S-002-1-Z05	SD-33481-0001
1X6	*150-S-006-1-Z03	SD-33481-0001



1x2



1x6

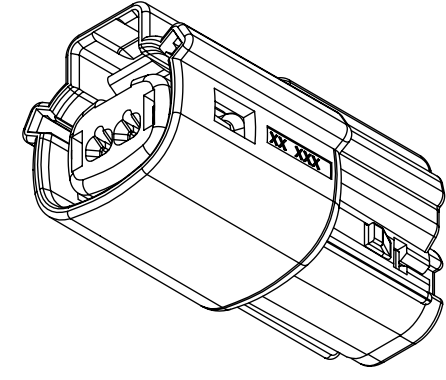
REV	REV DESCRIPTION
A1	UPDATED THE DRAWING FRAME
A	MINOR GEOMETRY CHANGE FOR UL V0
2	UPDATE VIEWSETS
1	INITIAL RELEASE

INSPECTION NUMBER LOG	
LAST NUMBER: 11	ADDED: 11
REMOVED:	

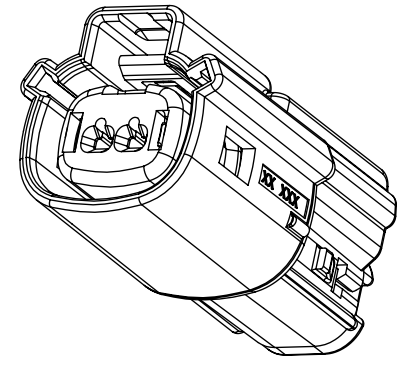
FUNCTIONAL SYMBOLS	THIS DRAWING CONTAINS INFORMATION THAT IS PROPRIETARY TO MOLEX ELECTRONIC TECHNOLOGIES, LLC AND SHOULD NOT BE USED WITHOUT WRITTEN PERMISSION		CURRENT REV DESC:				
	$\nabla_A = 0$ $\nabla_C = 0$ $\nabla_P = 0$	DIMENSION UNITS: mm SCALE: 1.5:1	EC NO: 643941 DRWN: XLDONG03 2020/08/21 CHK'D: JDENG02 2020/08/26 APPR: JDENG02 2020/08/26			MX150 RCPT SINGLE ROW SEALED ASSY MAT SEAL PRODUCT CUSTOMER DRAWING	
DIVISIONAL SYMBOLS	GENERAL TOLERANCES (UNLESS SPECIFIED) ANGULAR TOL $\pm 1.0^\circ$ 4 PLACES \pm 3 PLACES \pm 2 PLACES ± 0.1 1 PLACE ± 0.2 0 PLACES \pm	INITIAL REVISION: DRWN: APROFFITT 2015/11/04 APPR: KDEKOSHI 2016/06/14		DOCUMENT NUMBER: SD-33471-0001 DOC TYPE: PSD DOC PART: 001 REVISION: A1			
DRAFT WHERE APPLICABLE MUST REMAIN WITHIN DIMENSIONS		THIRD ANGLE PROJECTION	DRAWING: D-SIZE	SERIES: 33471	MATERIAL NUMBER: SEE NOTE 2a	CUSTOMER: GENERAL MARKET	SHEET NUMBER: 1 OF 8

SHEET DESCRIPTION

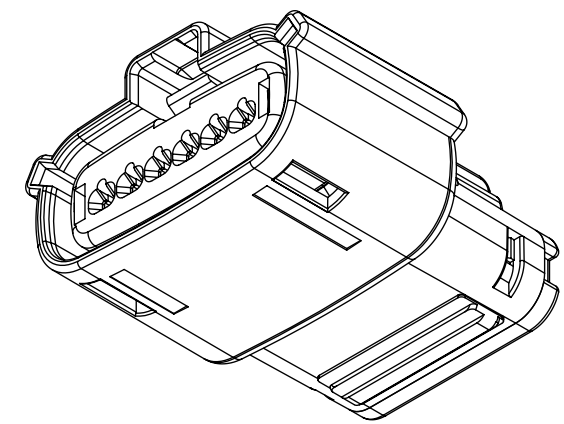
CONFIGURATIONS



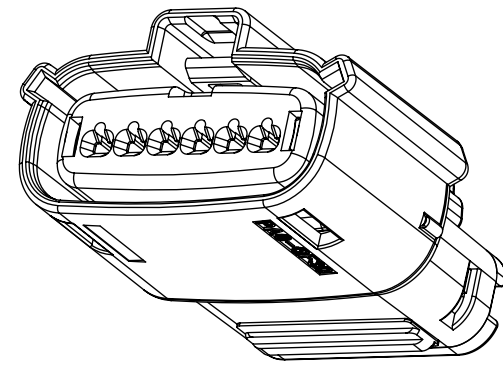
1x2 - STD



1x2 - UL V0*



1x6 - STD



1x6 - UL V0*

*MINOR GEOMETRY DIFFERENCE THAN STANDARD CONFIGURATION
SEE NOTES 1 & 2 FOR MORE INFORMATION

FUNCTIONAL SYMBOLS	THIS DRAWING CONTAINS INFORMATION THAT IS PROPRIETARY TO MOLEX ELECTRONIC TECHNOLOGIES, LLC AND SHOULD NOT BE USED WITHOUT WRITTEN PERMISSION		
	DIMENSION UNITS	SCALE	CURRENT REV DESC:
$\nabla_A = 0$	mm	1.5:1	EC NO: 643941 DRWN: XLDONG03 2020/08/21 CHK'D: JDENG02 2020/08/26 APPR: JDENG02 2020/08/26 INITIAL REVISION: DRWN: APROFFITT 2015/11/04 APPR: KDEKOSKI 2016/06/14
$\nabla_C = 0$	GENERAL TOLERANCES (UNLESS SPECIFIED)		
$\nabla_P = 0$	ANGULAR TOL $\pm 1.0^\circ$		
DIVISIONAL SYMBOLS	4 PLACES	\pm	
	3 PLACES	\pm	
	2 PLACES	± 0.1	
	1 PLACE	± 0.2	
	0 PLACES	\pm	
DRAFT WHERE APPLICABLE MUST REMAIN WITHIN DIMENSIONS		THIRD ANGLE PROJECTION	DRAWING: D-SIZE SERIES: 33471
DOCUMENT STATUS	P1	RELEASE DATE	DOCUMENT NUMBER: SD-33471-0001 DOC TYPE: PSD DOC PART: 001 REVISION: A1
2020/08/26	07:23:52		MATERIAL NUMBER: SEE NOTE 2a CUSTOMER: GENERAL MARKET SHEET NUMBER: 2 OF 8

molex

MX150 RCPT
SINGLE ROW SEALED ASSY MAT SEAL

PRODUCT CUSTOMER DRAWING

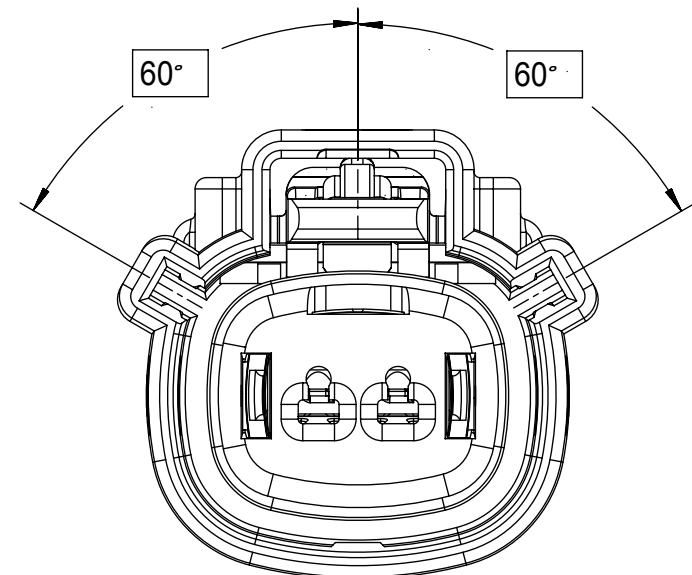
DOCUMENT NUMBER: SD-33471-0001
DOC TYPE: PSD
DOC PART: 001
REVISION: A1

MATERIAL NUMBER: SEE NOTE 2a
CUSTOMER: GENERAL MARKET
SHEET NUMBER: 2 OF 8

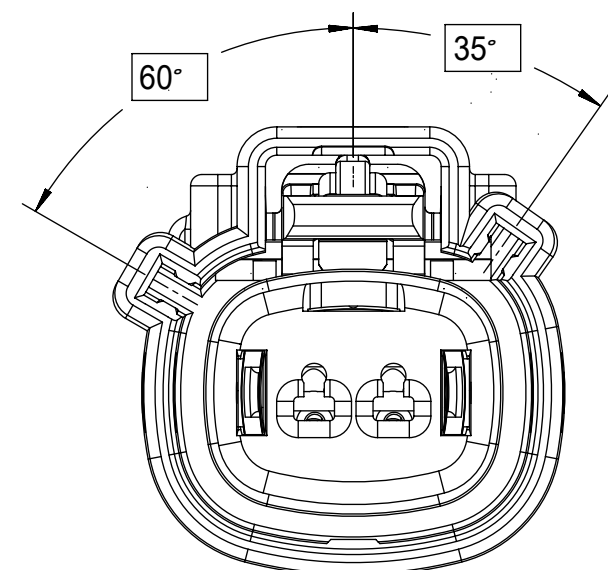
SHEET DESCRIPTION

KEY CONFIGURATIONS

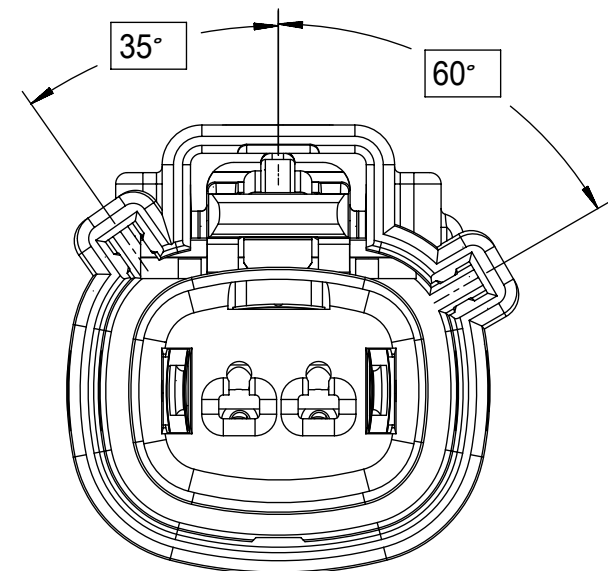
1X2



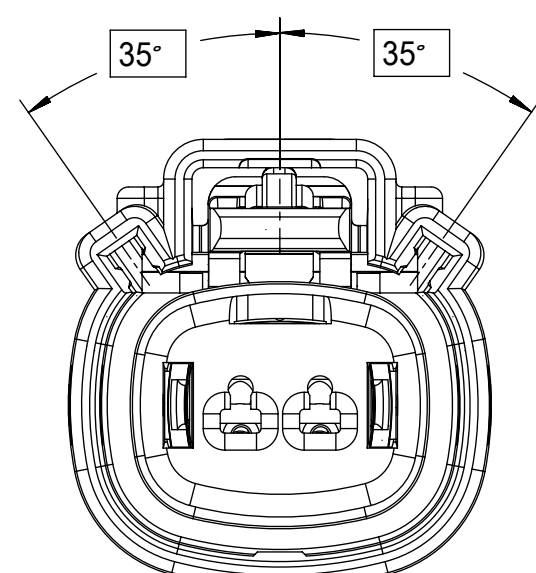
KEY A



KEY B



KEY C



KEY D

FUNCTIONAL SYMBOLS	THIS DRAWING CONTAINS INFORMATION THAT IS PROPRIETARY TO MOLEX ELECTRONIC TECHNOLOGIES, LLC AND SHOULD NOT BE USED WITHOUT WRITTEN PERMISSION		
	DIMENSION UNITS	SCALE	CURRENT REV DESC:
$F_A = 0$	mm	3:1	
$F_C = 0$	GENERAL TOLERANCES (UNLESS SPECIFIED)		
$F_P = 0$	ANGULAR TOL $\pm 1.0^\circ$		
DIVISIONAL SYMBOLS	4 PLACES	\pm	EC NO: 643941
	3 PLACES	\pm	DRWN: XLDONG03 2020/08/21
	2 PLACES	± 0.1	CHK'D: JDENG02 2020/08/26
	1 PLACE	± 0.2	APPR: JDENG02 2020/08/26
	0 PLACES	\pm	INITIAL REVISION: DRWN: APROFFITT 2015/11/04 APPR: KDEKOSKI 2016/06/14
DRAFT WHERE APPLICABLE MUST REMAIN WITHIN DIMENSIONS	THIRD ANGLE PROJECTION	DRAWING	SERIES
		D-SIZE	33471
DOCUMENT STATUS		RELEASE DATE	DOCUMENT NUMBER
P1	2020/08/26 07:23:52	SD-33471-0001	DOC TYPE
		SEE NOTE 2a	DOC PART
		GENERAL MARKET	REVISION
			A1
SHEET NUMBER		3 OF 8	

molex

MX150 RCPT
SINGLE ROW SEALED ASSY MAT SEAL

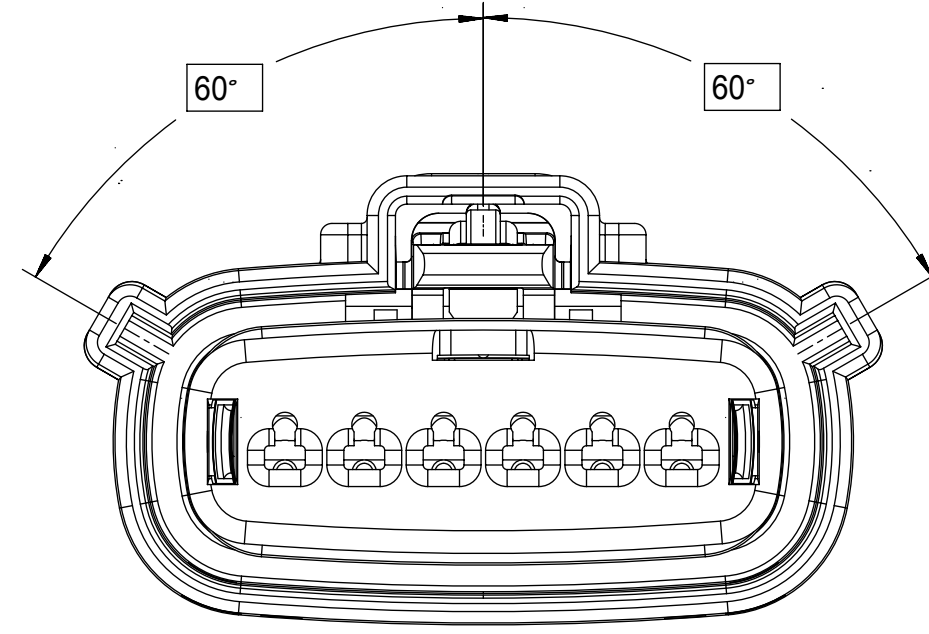
PRODUCT CUSTOMER DRAWING

DOCUMENT NUMBER	DOC TYPE	DOC PART	REVISION
SD-33471-0001	PSD	001	A1

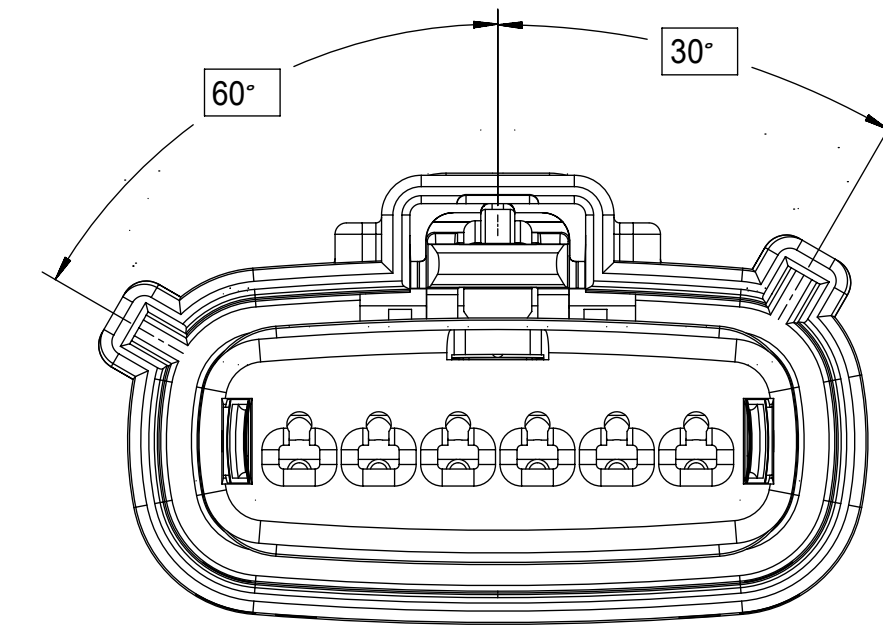
SHEET DESCRIPTION

KEY CONFIGURATIONS CONT.

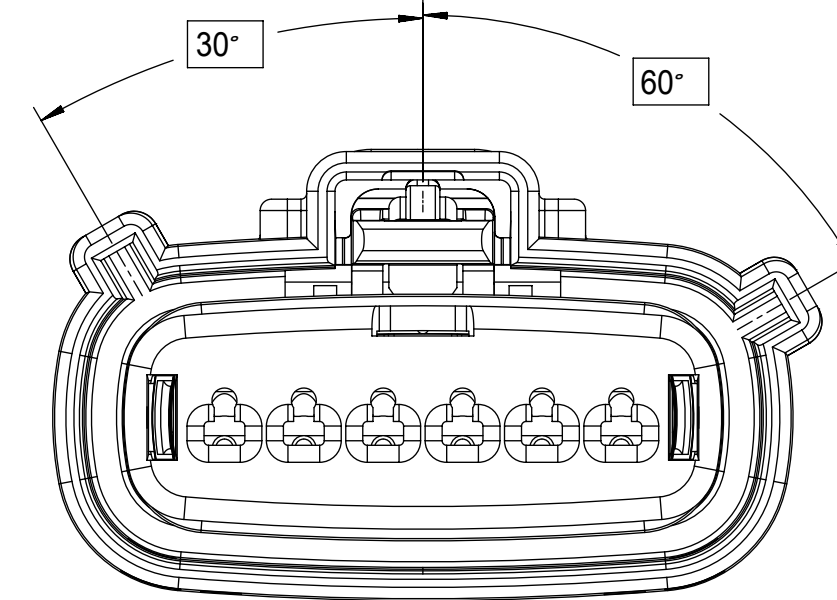
1X6



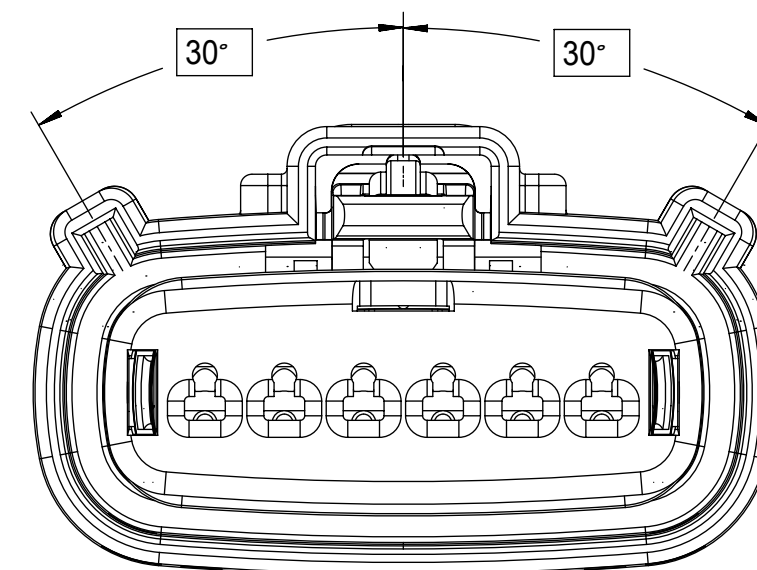
KEY A



KEY B



KEY C



KEY D

FUNCTIONAL SYMBOLS	THIS DRAWING CONTAINS INFORMATION THAT IS PROPRIETARY TO MOLEX ELECTRONIC TECHNOLOGIES, LLC AND SHOULD NOT BE USED WITHOUT WRITTEN PERMISSION		
	DIMENSION UNITS	SCALE	CURRENT REV DESC:
$\nabla_A = 0$	mm	3:1	
$\nabla_C = 0$	GENERAL TOLERANCES (UNLESS SPECIFIED)		
$\nabla_D = 0$	ANGULAR TOL $\pm 1.0^\circ$		
DIVISIONAL SYMBOLS	4 PLACES	\pm	EC NO: 643941
	3 PLACES	\pm	DRWN: XLDONG03 2020/08/21
	2 PLACES	± 0.1	CHK'D: JDENG02 2020/08/26
	1 PLACE	± 0.2	APPR: JDENG02 2020/08/26
	0 PLACES	\pm	INITIAL REVISION: DRWN: APROFFITT 2015/11/04 APPR: KDEKOSKI 2016/06/14
DRAFT WHERE APPLICABLE MUST REMAIN WITHIN DIMENSIONS		THIRD ANGLE PROJECTION	DRAWING SERIES MATERIAL NUMBER CUSTOMER SHEET NUMBER
			D-SIZE 33471 SEE NOTE 2a GENERAL MARKET 4 OF 8

molex

MX150 RCPT
SINGLE ROW SEALED ASSY MAT SEAL

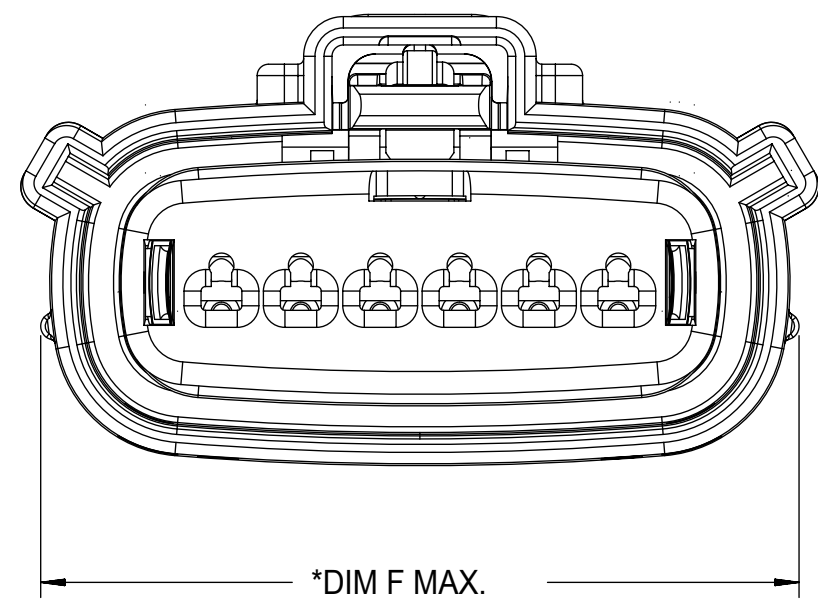
PRODUCT CUSTOMER DRAWING

DOCUMENT NUMBER	DOC TYPE	DOC PART	REVISION
SD-33471-0001	PSD	001	A1

SHEET DESCRIPTION

RECEPTACLE CONNECTOR ASSEMBLY - STD

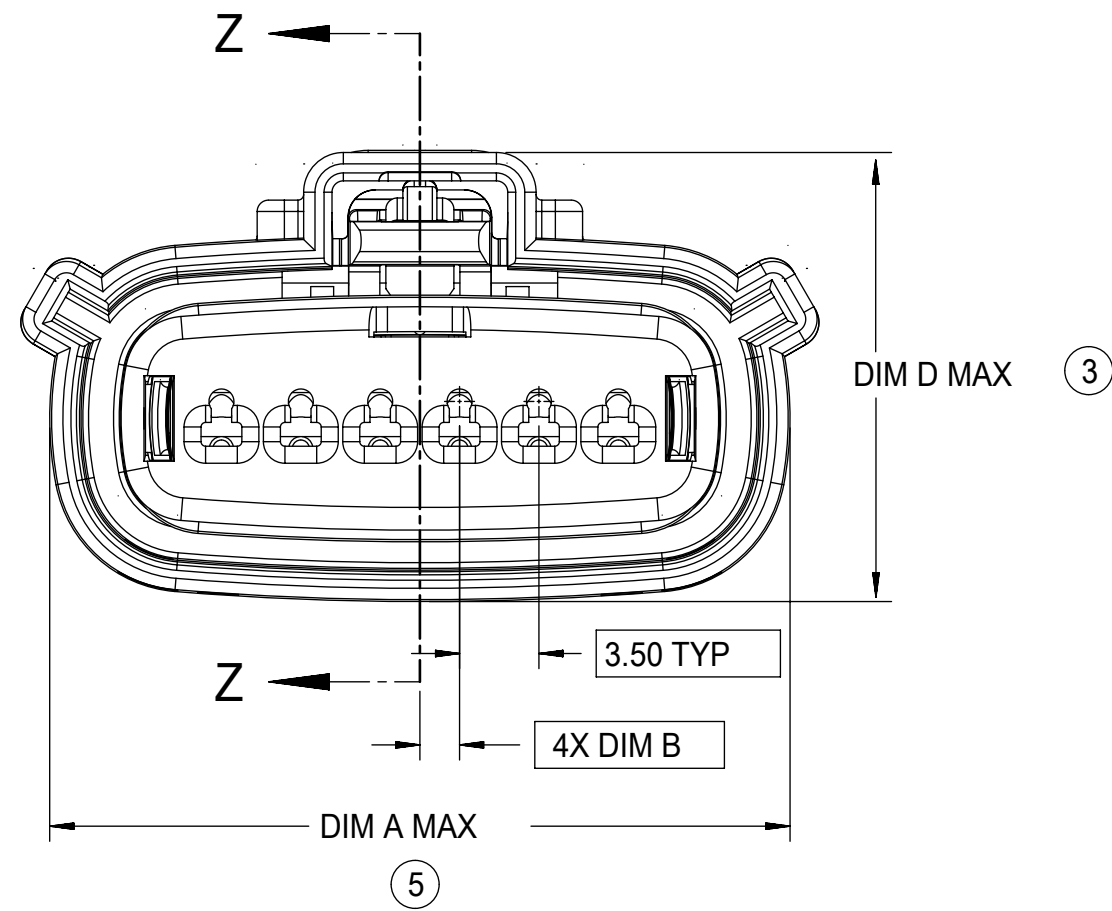
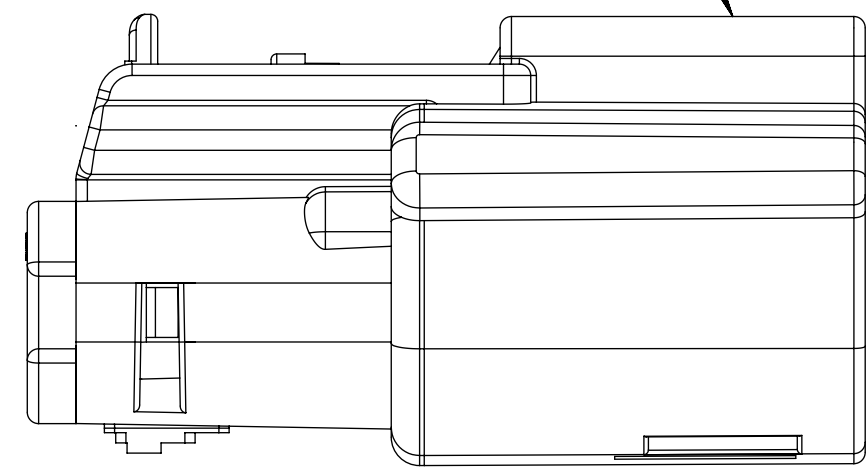
DESCRIPTION	DIMENSIONS					
	A	B	C	D	E	F
1X2	19.40	1.75	21.73	20.55	37.65	19.64
1X6	32.75	1.75	35.21	19.90	37.65	N/A
1X6 UL V0	N/A	1.75	35.23	19.90	37.65	33.64



*DIM F MAX.
*APPLIE TO UL V0 CONFIGURATIONS ONLY

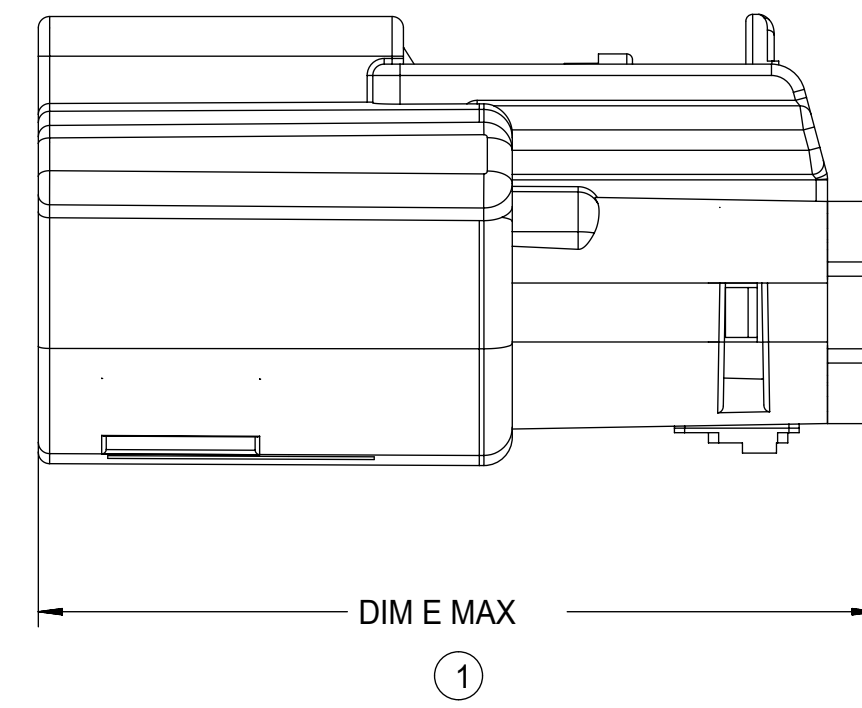
①

LASER MARKING ON THIS SURFACE
SEE NOTE 3g.



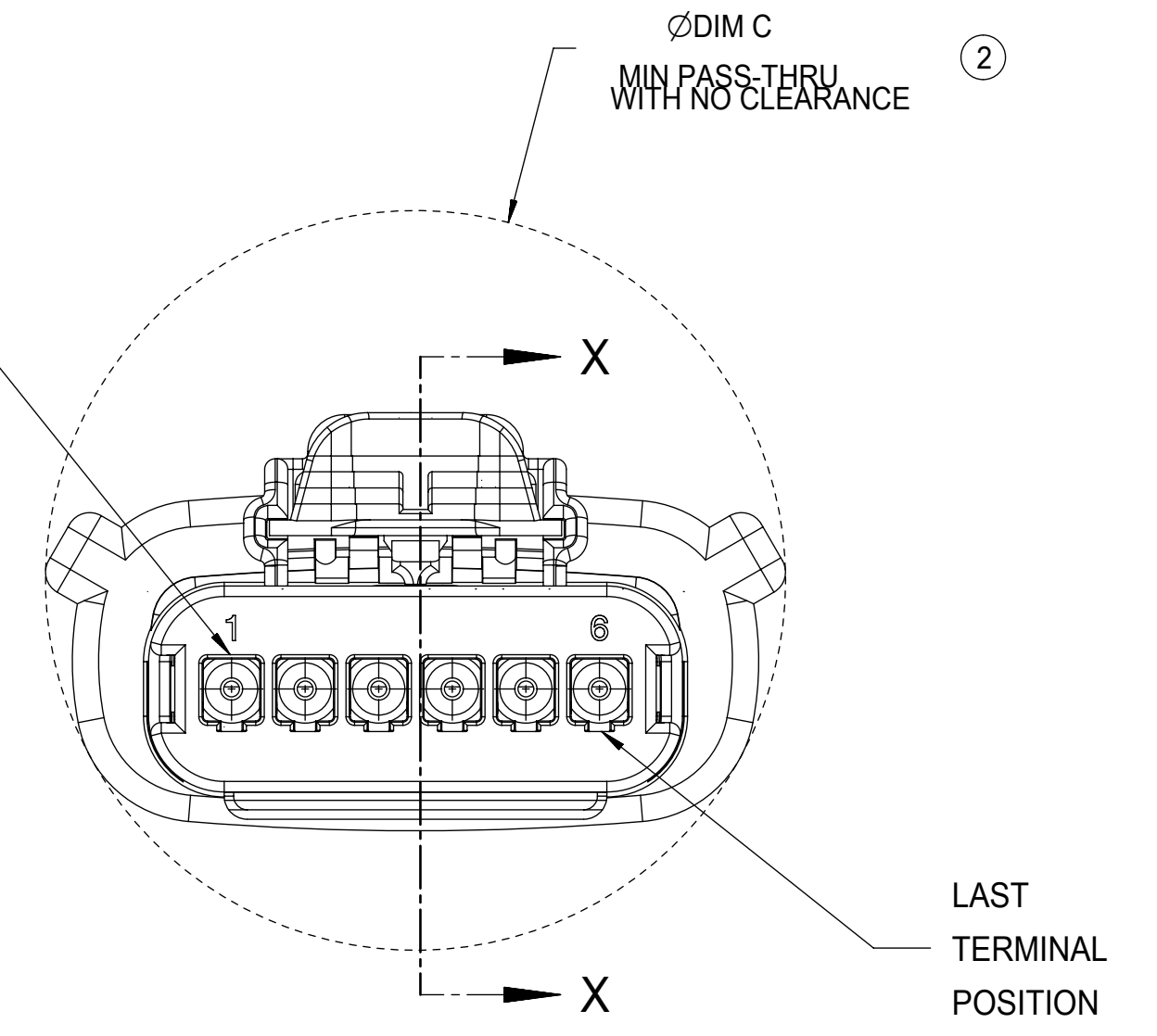
③

⑤



①

TERMINAL
POSITION 1

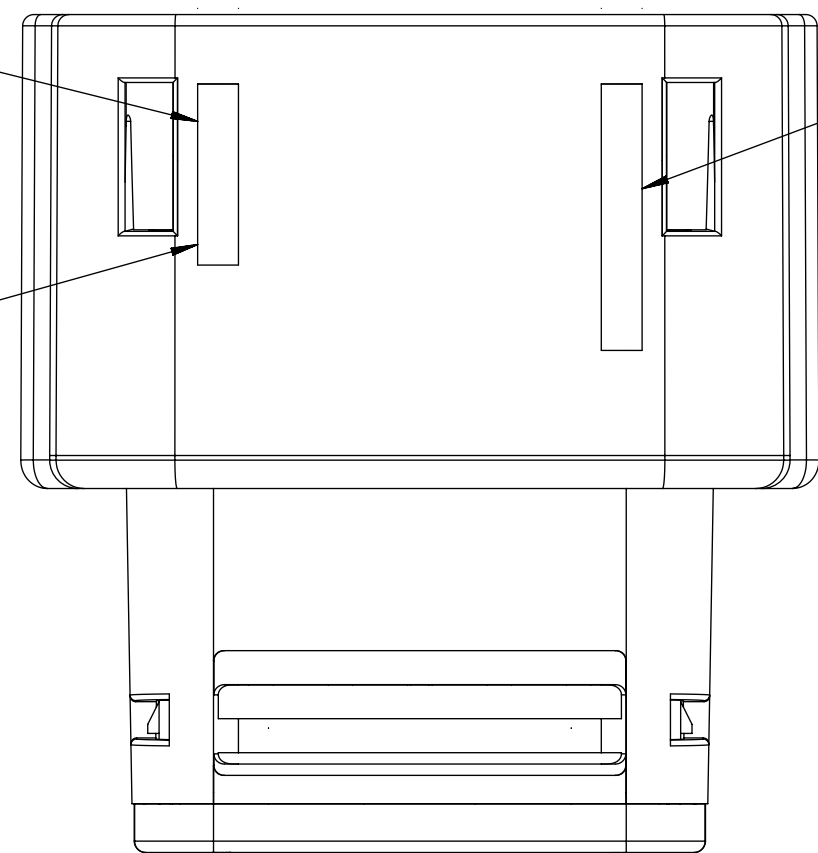


REAR VIEW
(WIRE HARNESS SIDE)

MOLD CAVITY I.D.
THIS LOCATION

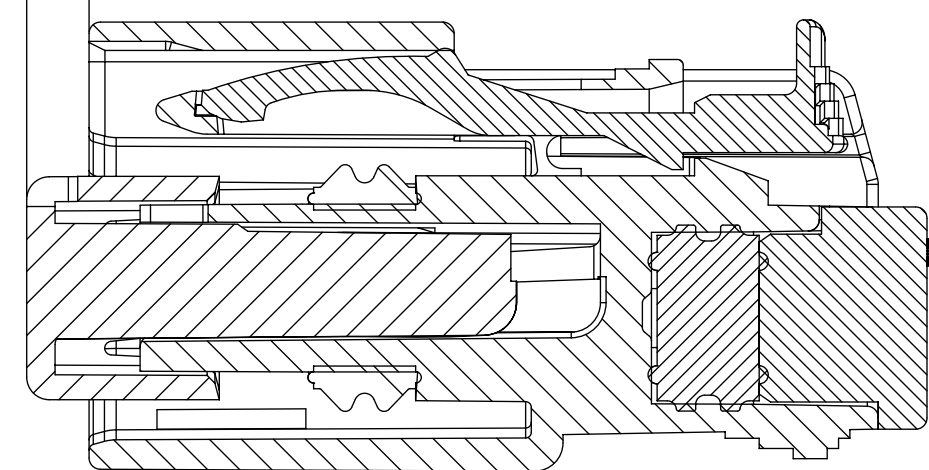
RECYCLE CODE
THIS LOCATION

MANUFACTURING LOCATION
CODE THIS LOCATION



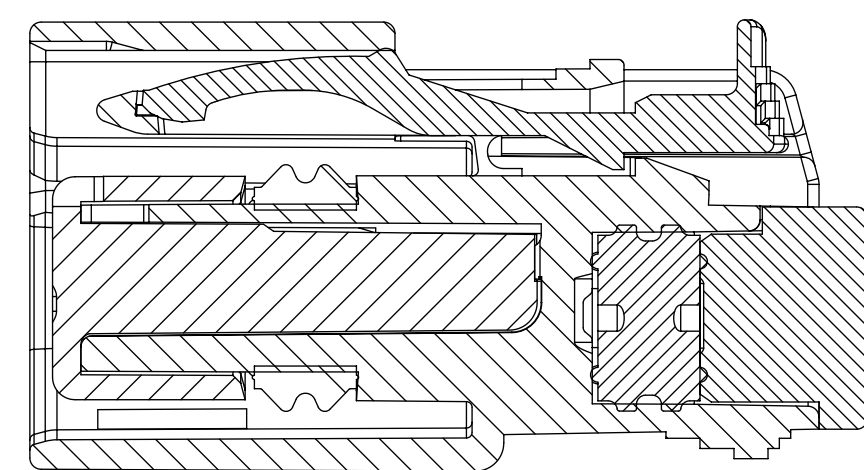
2.75±0.50

⑥



PRIMARY LOCK REINFORCEMENT (PLR) SHOWN
IN PRE-STAGED POSITION

SECTION Z-Z



PRIMARY LOCK REINFORCEMENT (PLR) SHOWN
IN FINAL-LOCK POSITION

SECTION X-X

FUNCTIONAL SYMBOLS	THIS DRAWING CONTAINS INFORMATION THAT IS PROPRIETARY TO MOLEX ELECTRONIC TECHNOLOGIES, LLC AND SHOULD NOT BE USED WITHOUT WRITTEN PERMISSION		CURRENT REV DESC:				
	FA = 0	mm	SCALE 3:1				
DIVISIONAL SYMBOLS	GENERAL TOLERANCES (UNLESS SPECIFIED)		EC NO: 643941		MX150 RCPT SINGLE ROW SEALED ASSY MAT SEAL PRODUCT CUSTOMER DRAWING		
	FC = 0	ANGULAR TOL ± 1.0°		DRWN: XLDONG03 2020/08/21			
DIVISIONAL SYMBOLS	4 PLACES	±	DRWN: JDENG02 2020/08/26	CHK'D: JDENG02 2020/08/26	DOCUMENT NUMBER SD-33471-0001 DOC TYPE: PSD DOC PART: 001 REVISION: A1		
	3 PLACES	±	APPR: JDENG02 2020/08/26	INITIAL REVISION:			
	2 PLACES	± 0.1	DRWN: APROFFITT 2015/11/04	APPR: KDEKOSKI 2016/06/14			
	1 PLACE	± 0.2	DRAFT WHERE APPLICABLE MUST REMAIN WITHIN DIMENSIONS				
0 PLACES	±	THIRD ANGLE PROJECTION	DRAWING D-SIZE	SERIES 33471	MATERIAL NUMBER SEE NOTE 2a	CUSTOMER GENERAL MARKET	SHEET NUMBER 5 OF 8

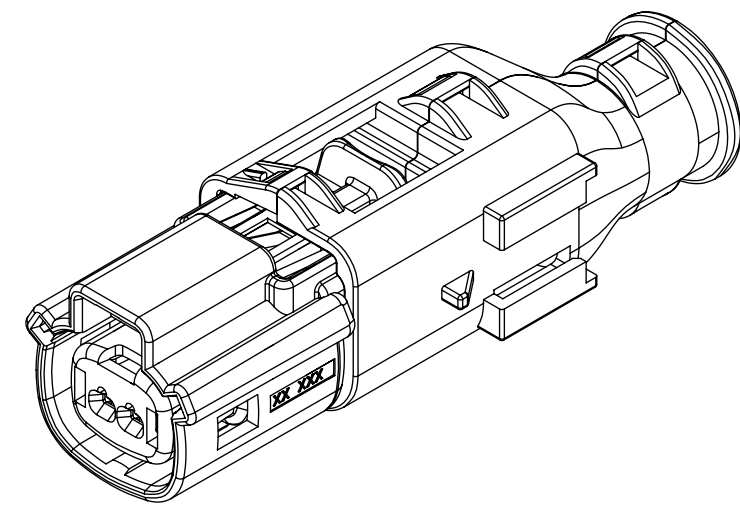
SHEET DESCRIPTION

BACKSHELL NOTES

BACKSHELL NOTES: VALID UNLESS OTHERWISE SPECIFIED

1. GENERAL:

- a. APPLICATION SPECIFICATION SEE: AS-34951-001
 - DESIGNED TO MATE WITH RECEPTACLE SEALED ASSEMBLY SPECIFIED IN MOLEX DRAWING SD-33471-0001.
 - SYSTEM TO BE USED WITH WIRE WITHIN DIAMETER RANGE OF 1.2mm TO 2.69mm.
 - COMPONENTS ARE OPTIONAL AND MUST BE PURCHASED SEPERATELY.
 - BACKSHELL DESIGN IS OWNED BY SCHLEMMER.
 - FOR ADDITIONAL INFORMATION SEE THE BACKSHELL COMPONENT DRAWING SD-34949-0001.



1X2

BACKSHELL CUSTOMER MODEL NUMBER LEGEND

34949-XXXX

CUSTOMER MODEL COMPONENTS

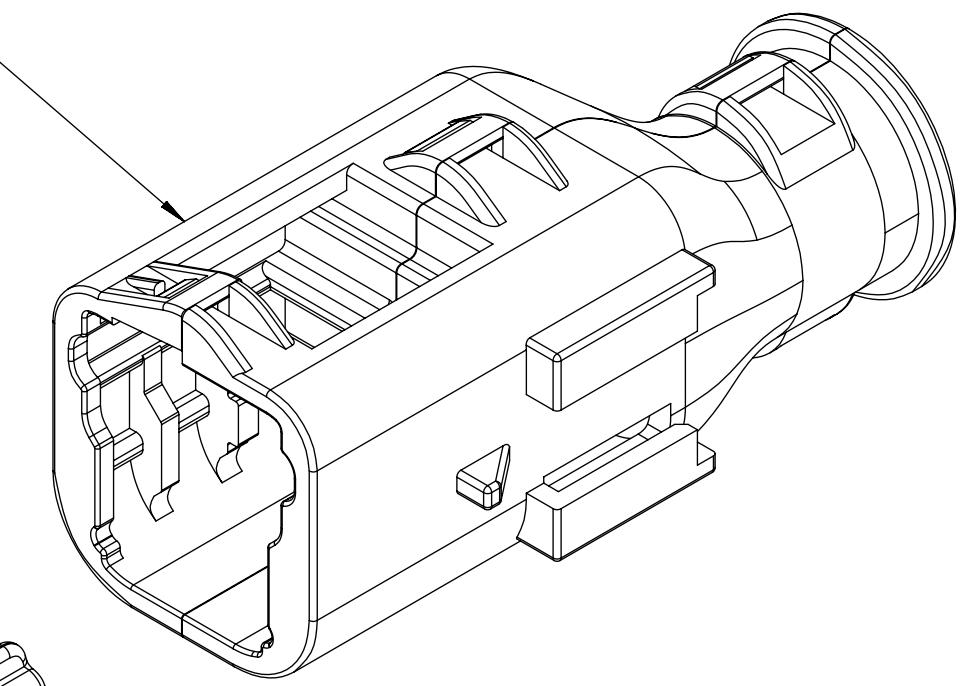
- 0 - BACKSHELL ONLY
- 1 - BACKSHELL & MX150 HOUSING KEY A ASSEMBLY
- 2 - BACKSHELL & MX150 HOUSING KEY B ASSEMBLY
- 3 - BACKSHELL & MX150 HOUSING KEY C ASSEMBLY
- 4 - BACKSHELL & MX150 HOUSING KEY D ASSEMBLY

BACKSHELL FEATURES

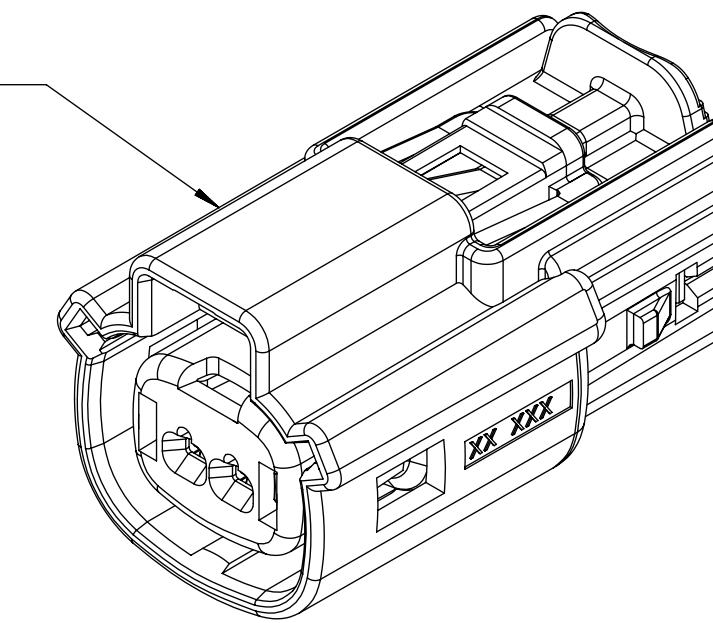
- 1 - WITH RIBS
- 2 - WITHOUT RIBS

MX150 CIRCUIT SIZE 02, 03, 04, 05, 06

BACKSHELL (BKS)



RECEPTACLE SEALED ASSEMBLY



FUNCTIONAL SYMBOLS	THIS DRAWING CONTAINS INFORMATION THAT IS PROPRIETARY TO MOLEX ELECTRONIC TECHNOLOGIES, LLC AND SHOULD NOT BE USED WITHOUT WRITTEN PERMISSION		
	DIMENSION UNITS	SCALE	CURRENT REV DESC:
$\nabla_A = 0$	mm	4:1	EC NO: 643941 DRWN: XLDONG03 2020/08/21 CHK'D: JDENG02 2020/08/26 APPR: JDENG02 2020/08/26
$\nabla_C = 0$	GENERAL TOLERANCES (UNLESS SPECIFIED)		
$\nabla_P = 0$	ANGULAR TOL	$\pm 1.0^\circ$	INITIAL REVISION: DRWN: APROFFITT 2015/11/04 APPR: KDEKOSKI 2016/06/14
DIVISIONAL SYMBOLS	4 PLACES	\pm	
	3 PLACES	\pm	DOCUMENT NUMBER SD-33471-0001 DOC TYPE PSD DOC PART 001 REVISION A1
	2 PLACES	± 0.1	
	1 PLACE	± 0.2	MATERIAL NUMBER SEE NOTE 2a CUSTOMER GENERAL MARKET SHEET NUMBER 6 OF 8
	0 PLACES	\pm	
DRAFT WHERE APPLICABLE MUST REMAIN WITHIN DIMENSIONS		THIRD ANGLE PROJECTION	DRAWING D-SIZE
			SERIES 33471

molex

MX150 RCPT
SINGLE ROW SEALED ASSY MAT SEAL

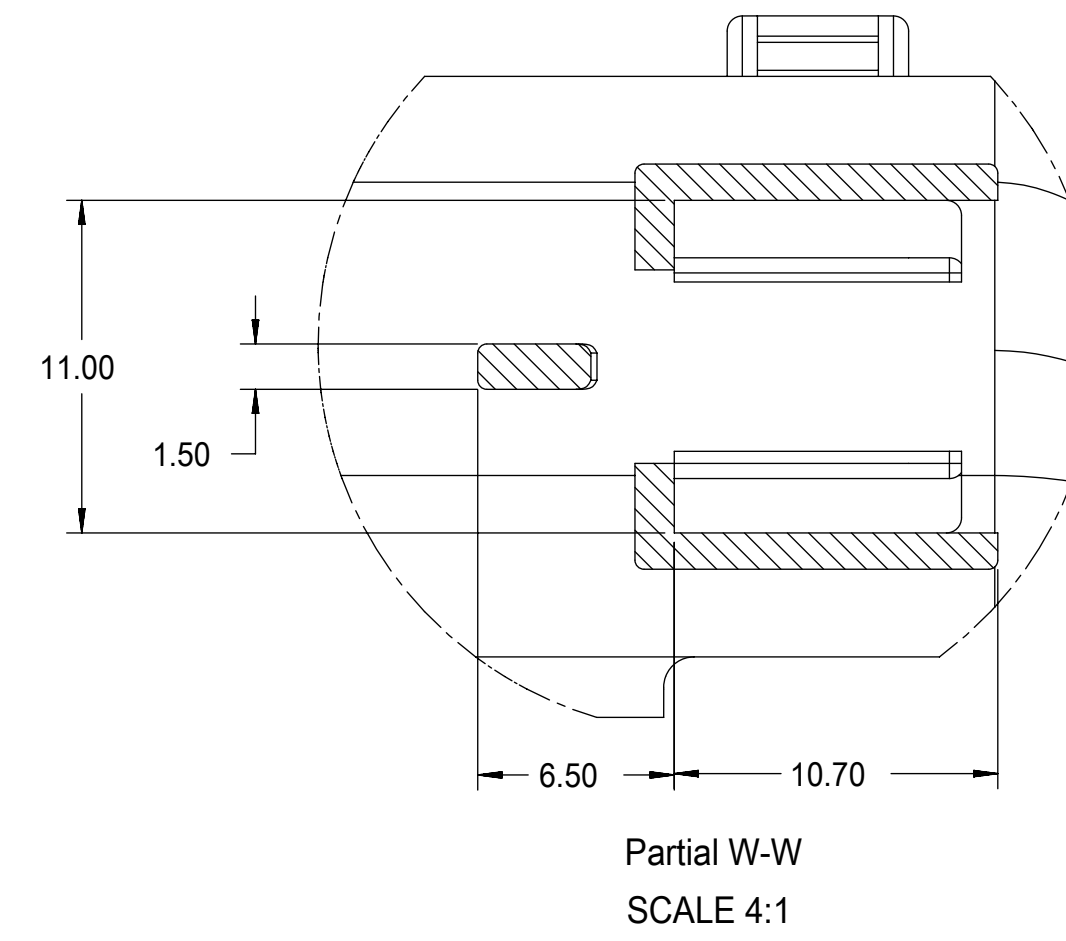
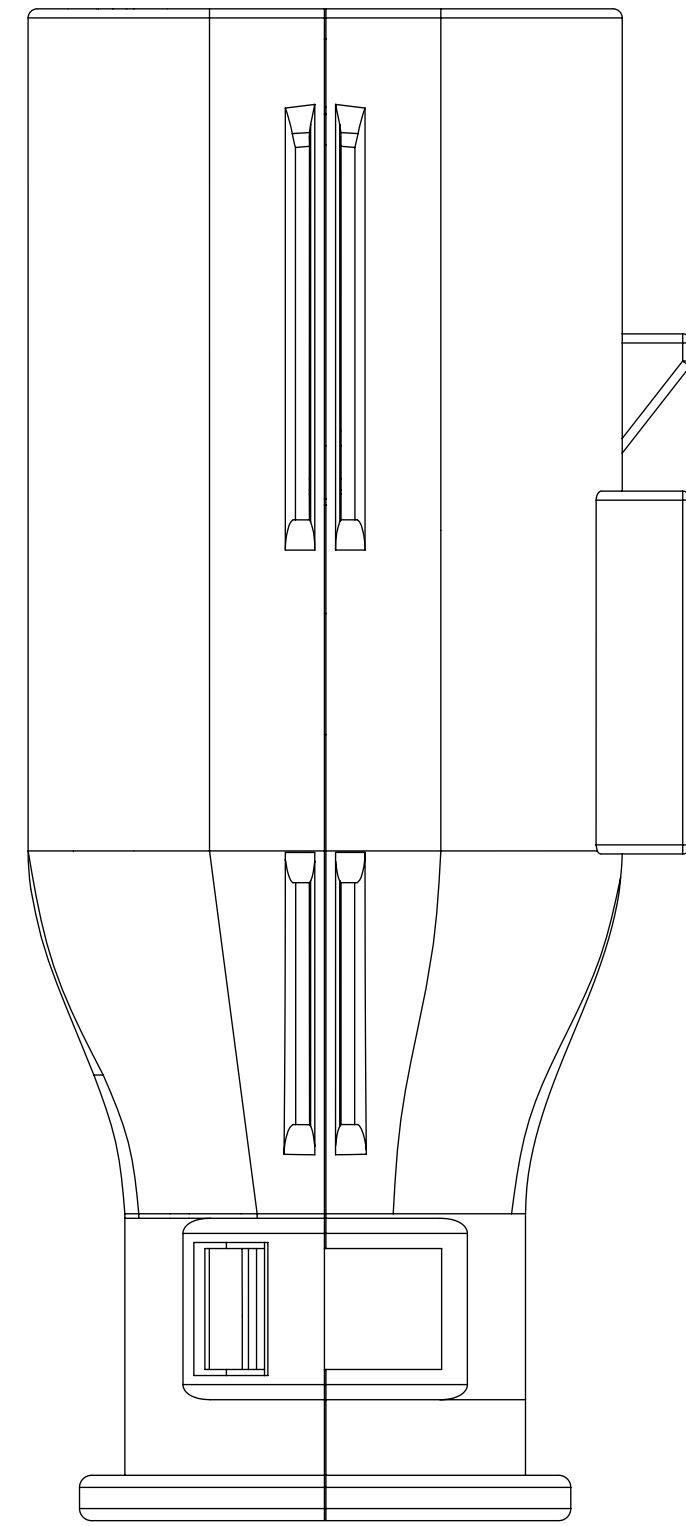
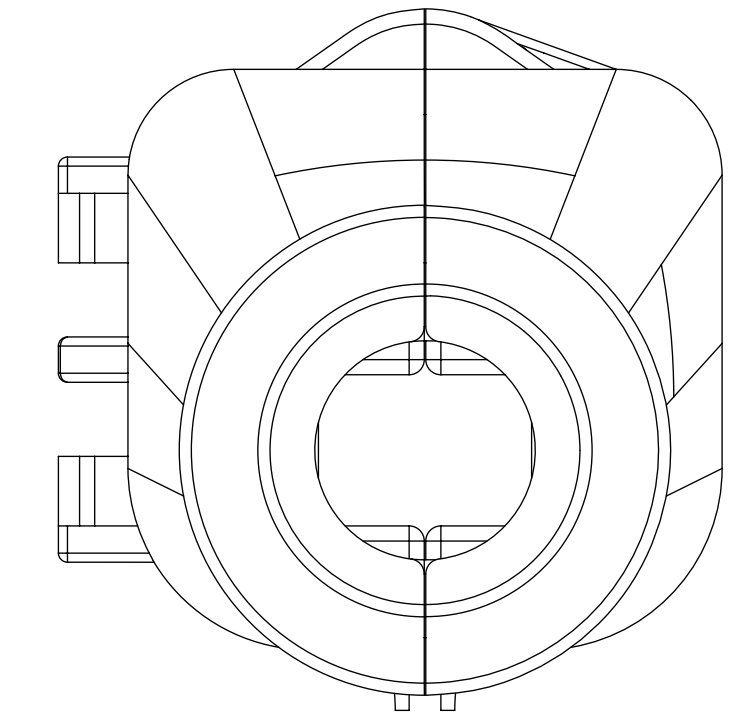
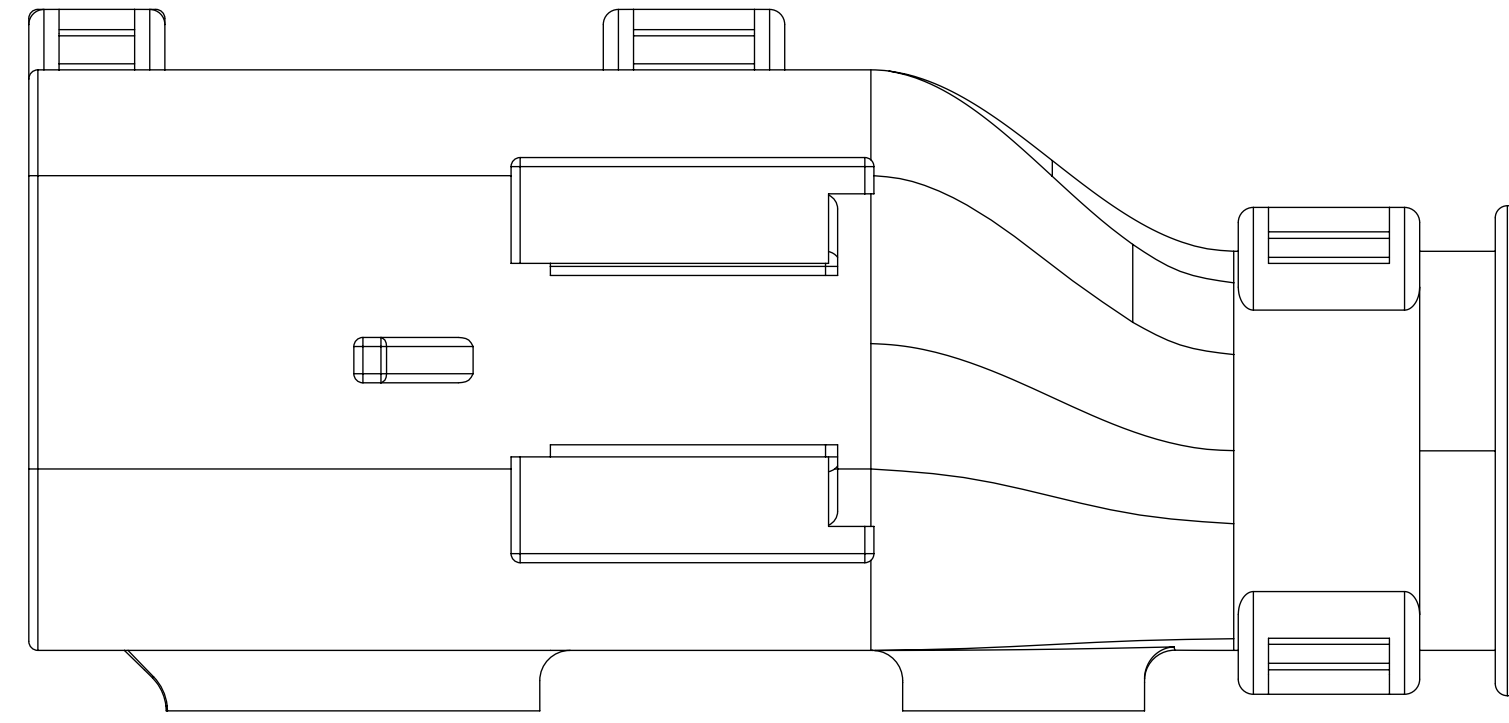
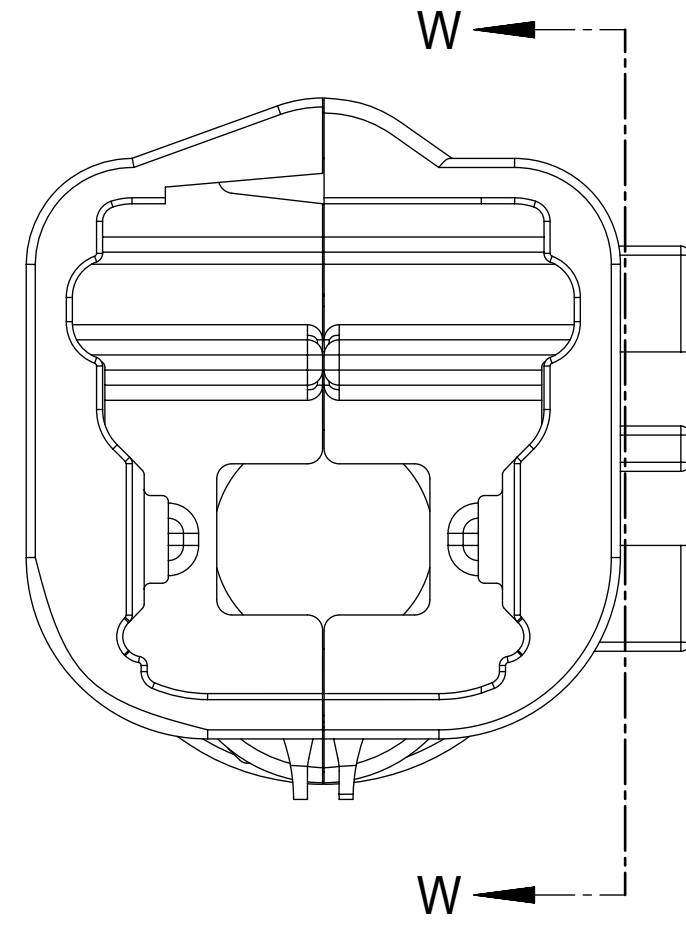
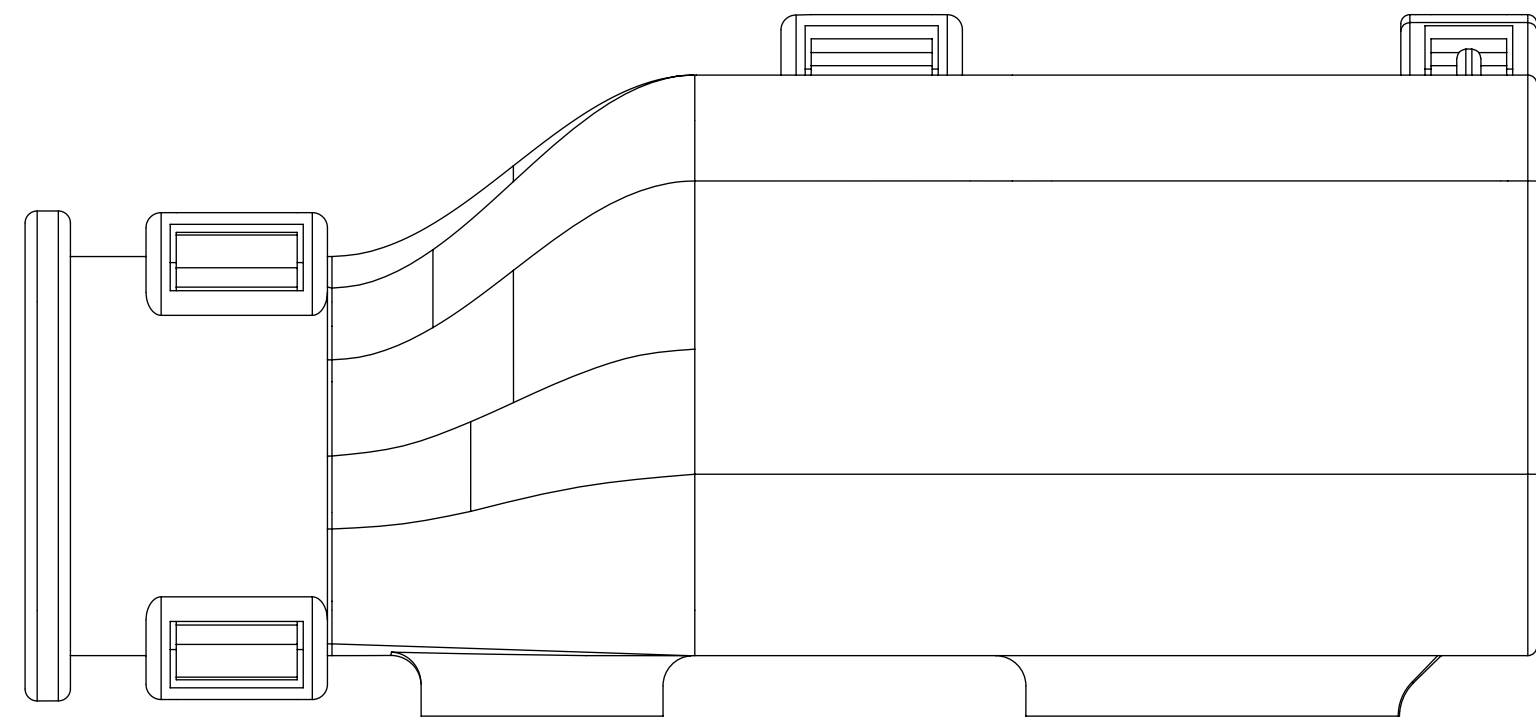
PRODUCT CUSTOMER DRAWING

DOCUMENT NUMBER
SD-33471-0001
DOC TYPE
PSD
DOC PART
001
REVISION
A1

MATERIAL NUMBER
SEE NOTE 2a
CUSTOMER
GENERAL MARKET
SHEET NUMBER
6 OF 8

SHEET DESCRIPTION

BACKSHELL



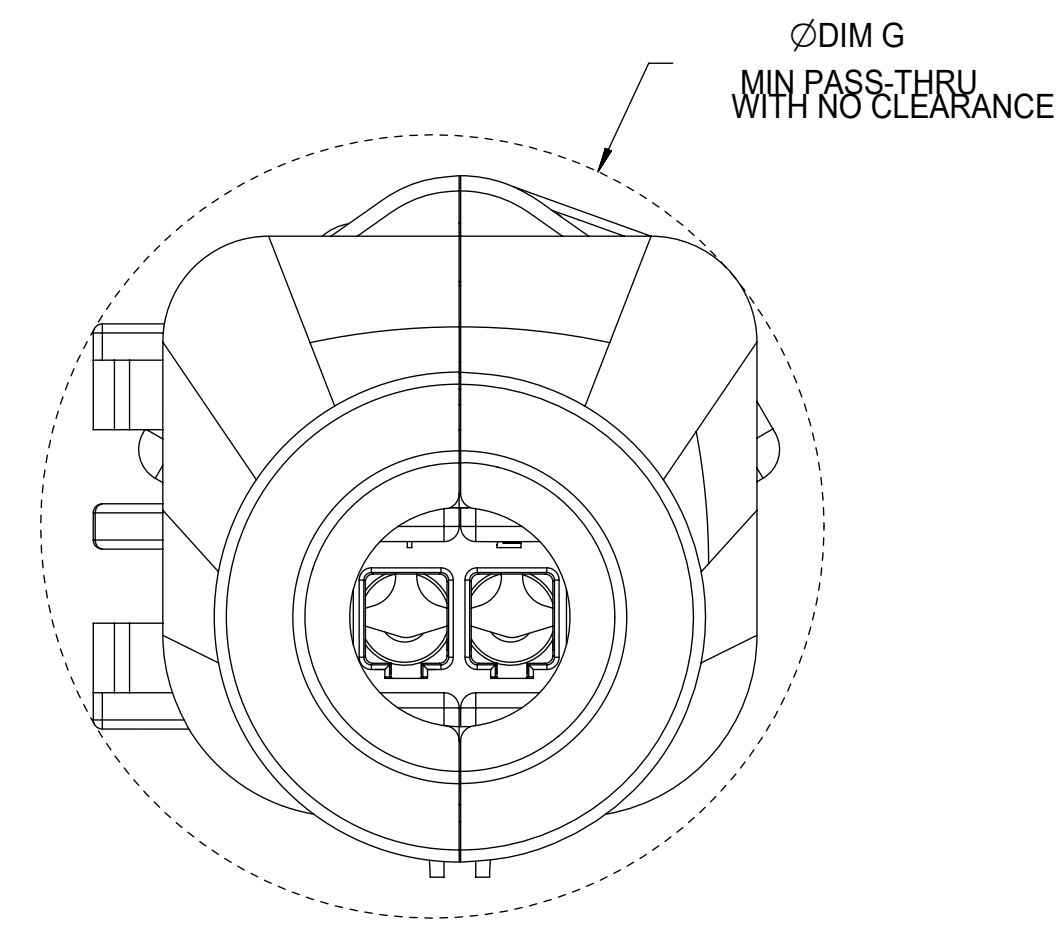
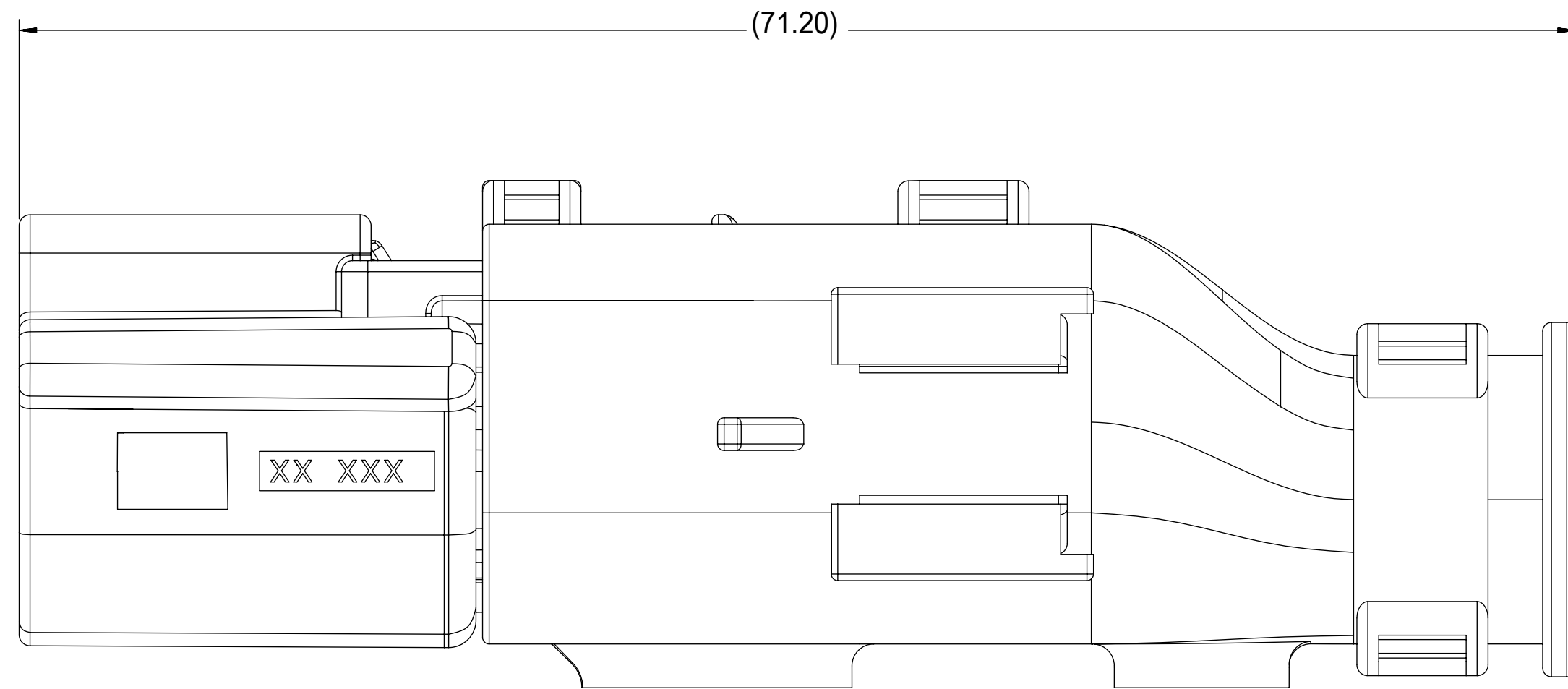
FUNCTIONAL SYMBOLS $F_A = 0$ $F_C = 0$ $F_P = 0$	THIS DRAWING CONTAINS INFORMATION THAT IS PROPRIETARY TO MOLEX ELECTRONIC TECHNOLOGIES, LLC AND SHOULD NOT BE USED WITHOUT WRITTEN PERMISSION		CURRENT REV DESC:				
	DIMENSION UNITS mm	SCALE 4:1	EC NO: 643941 DRWN: XLDONG03 2020/08/21 CHK'D: JDENG02 2020/08/26 APPR: JDENG02 2020/08/26			MX150 RCPT SINGLE ROW SEALED ASSY MAT SEAL	
	GENERAL TOLERANCES (UNLESS SPECIFIED)		INITIAL REVISION: DRWN: APROFFITT 2015/11/04 APPR: KDEKOSKI 2016/06/14				PRODUCT CUSTOMER DRAWING
	ANGULAR TOL $\pm 1.0^\circ$		DRAFT WHERE APPLICABLE MUST REMAIN WITHIN DIMENSIONS			DOCUMENT NUMBER SD-33471-0001	DOC TYPE PSD
DIVISIONAL SYMBOLS 4 PLACES \pm 3 PLACES \pm 2 PLACES ± 0.1 1 PLACE ± 0.2 0 PLACES \pm	THIRD ANGLE PROJECTION 		DRAWING D-SIZE	SERIES 33471	MATERIAL NUMBER SEE NOTE 2a	CUSTOMER GENERAL MARKET	SHEET NUMBER 7 OF 8

SHEET DESCRIPTION

BACKSHELL CONFIGURATIONS

CHARTED DIMENSIONS

DESCRIPTION	DIMENSIONS
	G
1X2	



RECEPTACLE SEALED ASSEMBLY WITH RECEPTACLE BACKSHELL

FUNCTIONAL SYMBOLS FA = 0 FC = 0 FP = 0 DIVISIONAL SYMBOLS	THIS DRAWING CONTAINS INFORMATION THAT IS PROPRIETARY TO MOLEX ELECTRONIC TECHNOLOGIES, LLC AND SHOULD NOT BE USED WITHOUT WRITTEN PERMISSION		CURRENT REV DESC:				
	DIMENSION UNITS	SCALE	EC NO: 643941				
	mm	4:1	DRWN: XLDONG03 2020/08/21				
	GENERAL TOLERANCES (UNLESS SPECIFIED)		CHK'D: JDENG02 2020/08/26				
	ANGULAR TOL ± 1.0°		APPR: JDENG02 2020/08/26				
4 PLACES ±		INITIAL REVISION:		DOCUMENT NUMBER	DOC TYPE	DOC PART	REVISION
3 PLACES ±		DRWN: APROFFITT 2015/11/04		SD-33471-0001	PSD	001	A1
2 PLACES ± 0.1		APPR: KDEKOSKI 2016/06/14					
1 PLACE ± 0.2		DRAFT WHERE APPLICABLE MUST REMAIN WITHIN DIMENSIONS					
0 PLACES ±		THIRD ANGLE PROJECTION					
		DRAWING		SERIES		MATERIAL NUMBER	
		D-SIZE		33471		SEE NOTE 2a	
				CUSTOMER		GENERAL MARKET	
						SHEET NUMBER	
						8 OF 8	

TABLE OF CONTENTS

SHEET NO.	SHEET DESCRIPTION
1	NOTES AND BOM
2	POLARIZATIONS
3	RCPT CONNECTOR ASSY
4	BOM SHEET 1
5	BOM SHEET 2
6	BOM SHEET 3

NOTES: VALID UNLESS OTHERWISE SPECIFIED

1. GENERAL:

a. APPLICATION SPECIFICATION SEE: AS-33472-100

- CONTAINS: PRODUCT INTRODUCTION, PRODUCT SUMMARY, CONNECTOR ASSEMBLY, PACKAGING INFORMATION, CONNECTOR MATING, SERVICE INSTRUCTIONS, ELECTRICAL CONTINUITY CHECKING, CRIMPING, AND TROUBLESHOOTING.
- DESIGNED TO MATE WITH DEVICE CONNECTION AS SPECIFIED IN DRAWING EWCAP 150-S-006-1-Z03, AVAILIBLE AT <http://ewcap.uscarteams.org/>.
- DESIGNED TO MATE WITH BLADE SEALED ASSEMBLY AS SPECIFIED IN DRAWING SD-33481-061
- FOR 1.5mm RECEPTACLE TERMINALS TO BE USED WITH THIS ASSEMBLY. SEE MOLEX DRAWING SD-33012-002.
- SYSTEM TO BE USED WITH WIRE WITHIN DIAMETER RANGE OF 1.2 mm TO 2.69 mm.
- ASSEMBLY SHIPPED WITH PLR AND CPA IN PRE-LOCK POSITION (SEE SECTION Z-Z PRE-LOCK).
- IN THE EVENT THAT THE PLR IS FOUND IN THE SEATED (FINAL LOCK) POSITION, REFER TO MOLEX SPECIFICATION PS-34646-001, AVAILIBLE AT www.molex.com <http://www.molex.com>.
- ASSEMBLY CONFORMS TO SAE/USCAR-2 REV.4 WITH THE FOLLOWING EXCEPTIONS: ENGAGEMENT FORCE TO MOVE CPA FROM PRE-LOCK TO FINAL LOCK POSITION WHEN UNMATED: 40N MIN. DISENGAGEMENT FORCE TO MOVE CPA FROM FINAL LOCK TO PRE-LOCK POSITION: 3N MIN, 40N MAX TERMINAL INSERTION FORCE FOR WIRE DIAMETER ABOVE 2.5mm NOT EXCEEDING 2.69mm SHALL NOT EXCEED 40 NEWTONS.

b. PRODUCT SPECIFICATION SEE: PS-33471-000

- CONTAINS: PRODUCT INTRODUCTION, PRODUCT SUMMARY, RATINGS (CURRENT, TEMPERATURE, SEALING, AND FLAMMABILITY), AND PRODUCT VALIDATION.

c. PACKAGING SPECIFICATION PER MOLEX DRAWING: PK-31300-903

d. PARTS MUST BE IN COMPLIANCE TO MOLEX CHEMICAL SUBSTANCES FOR PRODUCTS AND PACKAGING SPECIFICATION: ES-40000-5016

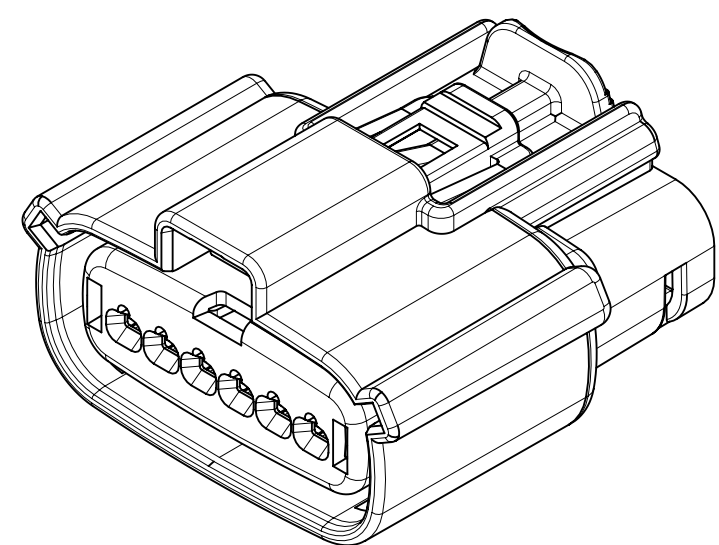
e. DATA MUST BE SUBMITTED UNDER THE MOLEX PART NUMBER TO IMDS (COMPANY ID#13255)

2. DESIGN - MATERIALS:

- a. CONNECTOR HOUSING, GROMMET CAP, PLR: SPS/NYLON BLEND 20% GLASS FILLED
- b. CPA: PBT 20% GLASS FILLED
- c. MAT SEAL AND RING SEAL: INHERENTLY LUBRICATED SILICONE

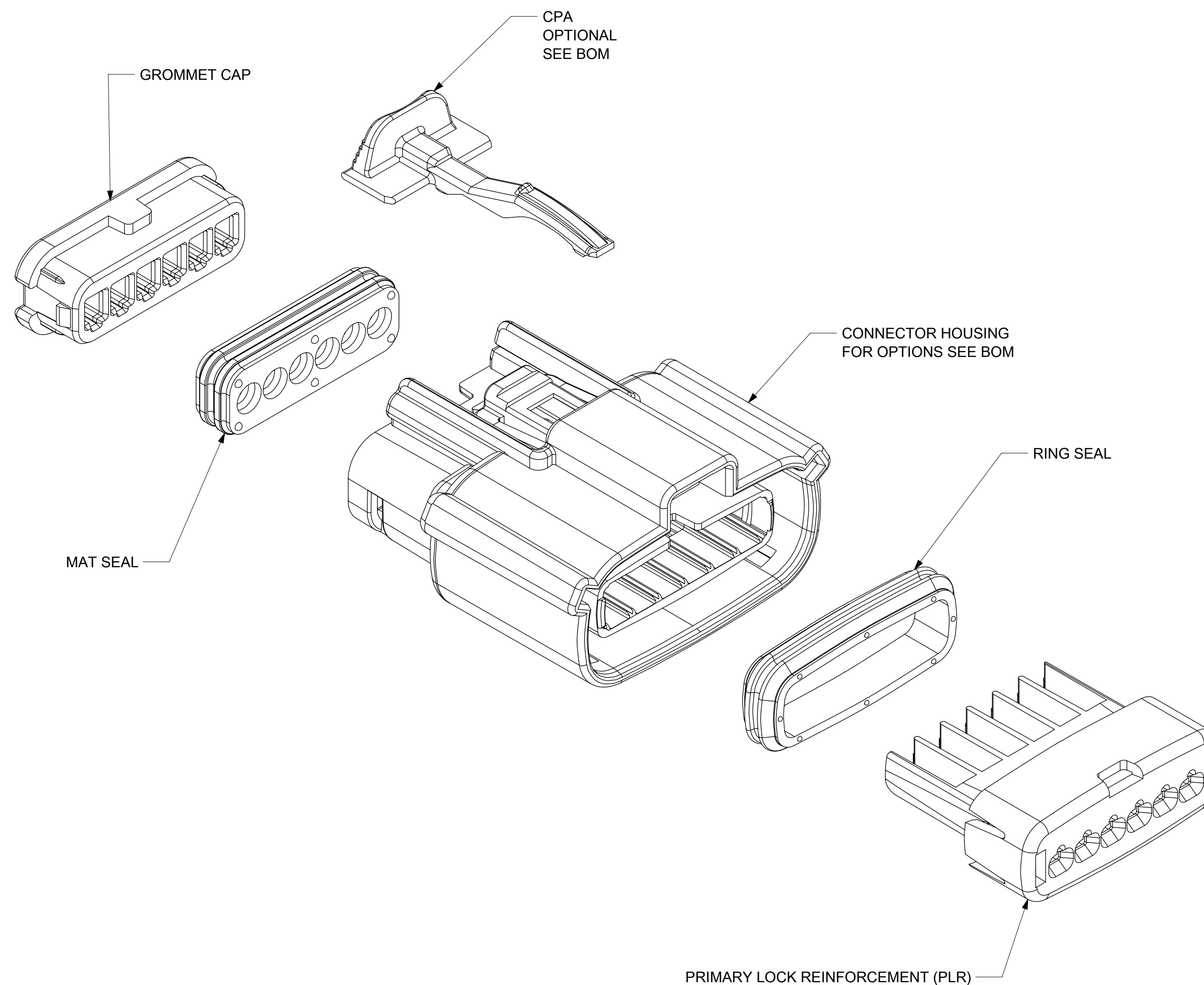
3. DESIGN - GEOMETRY:

- a. THIS IS A 100% CAD GENERATED PART. THE CAD MATHEMATICAL DATA IS THE MASTER FOR THIS PART. FOR DIMENSIONAL OR ANY INFORMATION NOT SHOWN ON THIS DRAWING, ANALYZE THE CAD MODEL.
- b. GEOMETRIC DIMENSIONS AND TOLERANCES PER ASME Y14.5M - 1994
- c. EDGES AND UNDIMENSIONED DETAILS PER ISO13715
- d. CORNERS SHOWN AS SHARP TO BE R 0.2 MAX.
- e. LETTERING SHALL BE 0.15 MAX RAISED IN 0.25 MAX RECESS PAD. THIS INCLUDES RECYCLING CODE, CAVITY ID, VENDOR IDENTIFICATION, AND CUSTOMER MATERIAL NUMBER.
- f. VISUAL DEFECTS SHALL MEET COSMETIC STANDARD PS-45499-002 (Class B)
- g. LASER MARKING: TBD



MATING INTERFACE CHART

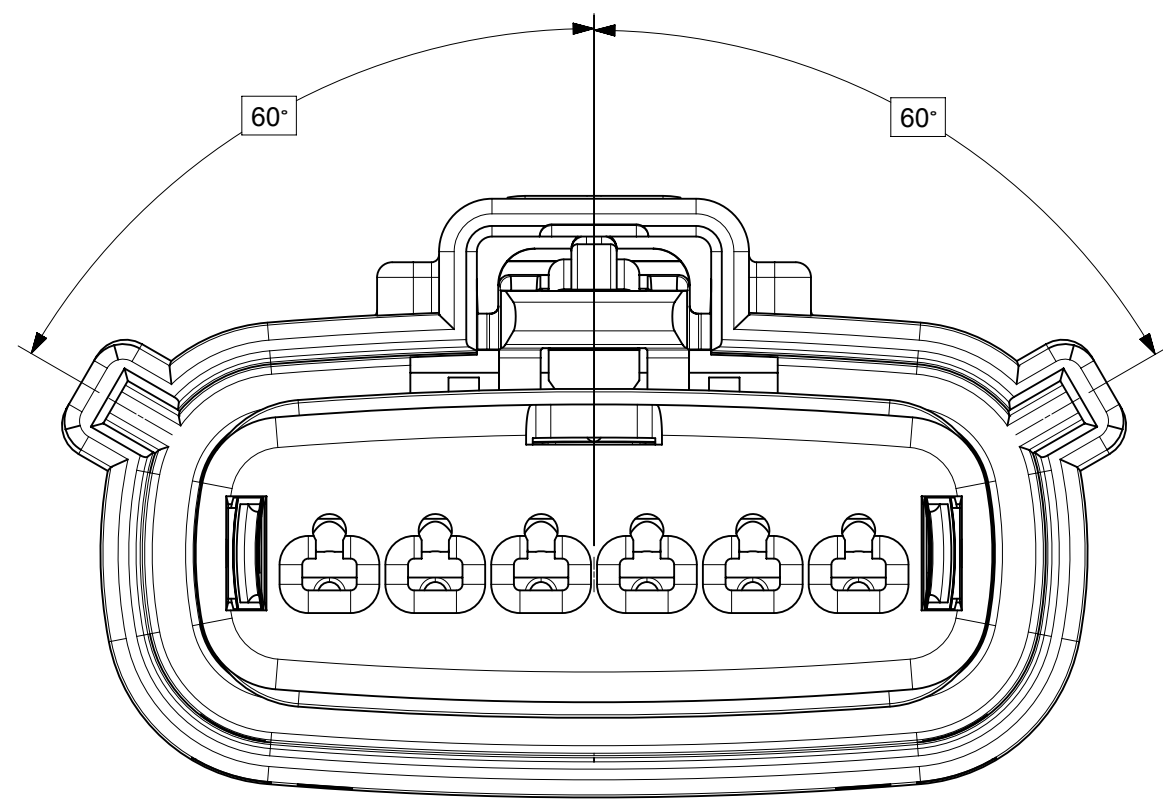
DESCRIPTION	CIRCUIT SIZE	SERIES	COLOR	INTERFACE MODEL NUMBER	STATUS
MX150 1X6 RCPT ASSY, KEY A	6	33471	BLACK	CM-150-S-006-1-A03	SALEABLE
MX150 1X6 RCPT ASSY, KEY B	6	33471	DARK GRAY	CM-150-S-006-1-B03	SALEABLE
MX150 1X6 RCPT ASSY, KEY C	6	33471	LIGHT GRAY	CM-150-S-006-1-C03	SALEABLE
MX150 1X6 RCPT ASSY, KEY D	6	33471	BLACK	CM-150-S-006-1-D03	SALEABLE



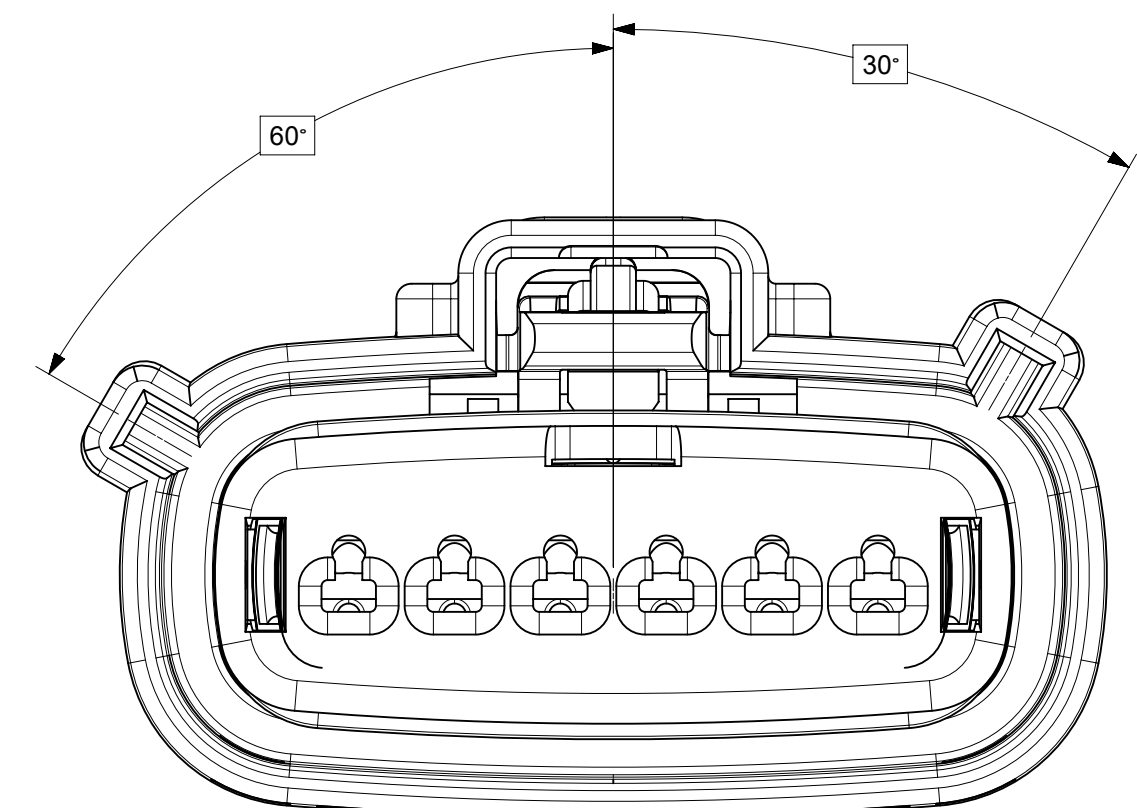
INSPECTION NUMBER LOG		REV	REV DESCRIPTION
U5	ADDED PN: 33471-6081		
U4	Updated status of parts based on new mat seal		
U3	ADDED 33471-6080		
U2	UPDATED 33471-60** PARTS TO SALEABLE AND REMOVED "NOT RECOMMENDED" PART NUMBERS		
U1	Remastered, Added 33471-60** Part Numbers		
LAST NUMBER: 5			

FUNCTIONAL SYMBOLS FA = 0 FC = 0 FD = 0	THIS DRAWING CONTAINS INFORMATION THAT IS PROPRIETARY TO MOLEX ELECTRONIC TECHNOLOGIES, LLC AND SHOULD NOT BE USED WITHOUT WRITTEN PERMISSION	CURRENT REV DESC: SEE REVISION TABLE							
	DIMENSION UNITS: mm	SCALE: 2:1	GENERAL TOLERANCES (UNLESS SPECIFIED)						
DIVISIONAL SYMBOLS	ANGULAR TOL ± 3.0°	4 PLACES ±	3 PLACES ±	2 PLACES ± 0.1	1 PLACE ± 0.3	0 PLACES ±	EC NO: 669011 DRWN: SCV 2021/07/02 CHK'D: GGA 2021/07/08 APPR: GGA 2021/07/08 INITIAL REVISION: DRWN: DGRIFITHS 2005/08/26 APPR: smarceau 2005/08/29	MX150 1X6 RECEPTACLE SEALED ASSEMBLY MAT SEAL PRODUCT CUSTOMER DRAWING	
	DRAFT WHERE APPLICABLE MUST REMAIN WITHIN DIMENSIONS	THIRD ANGLE PROJECTION	DRAWING: D-SIZE	SERIES: 33471	MATERIAL NUMBER: SEE TABLE	CUSTOMER: GENERAL MARKET		DOCUMENT NUMBER: SD-33471-061	DOC TYPE: PSD

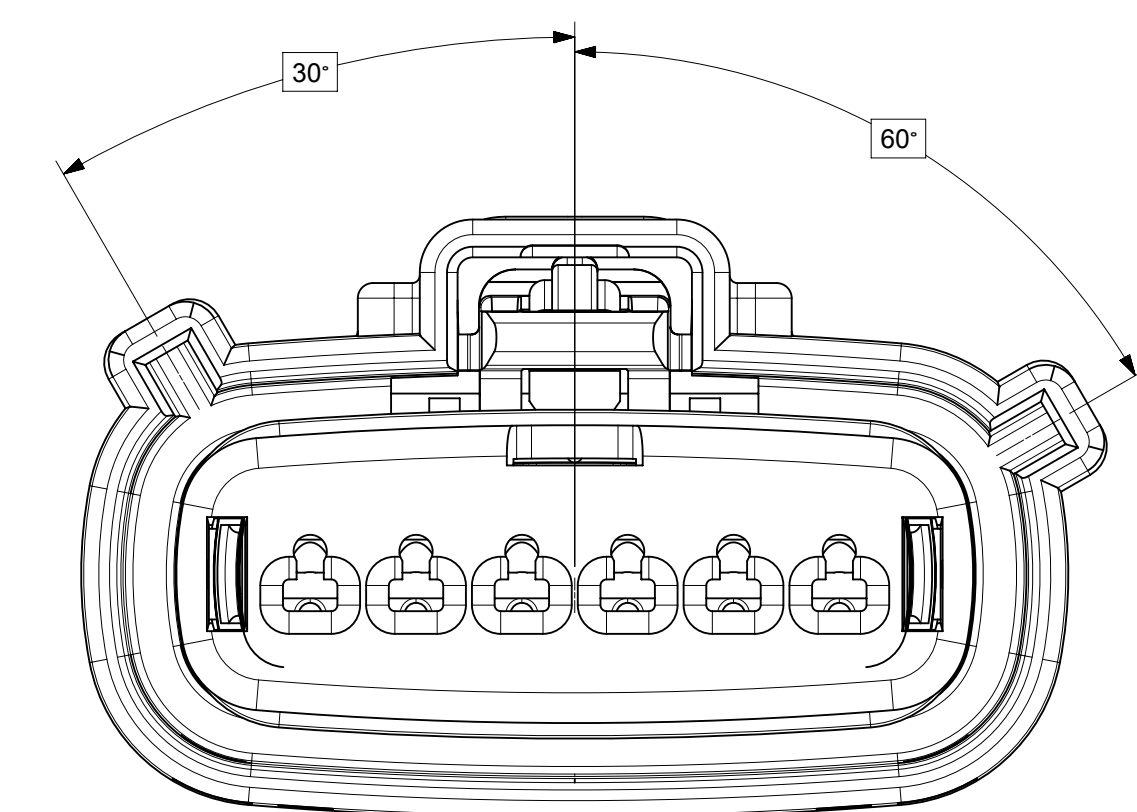
SHEET DESCRIPTION
POLARIZATIONS



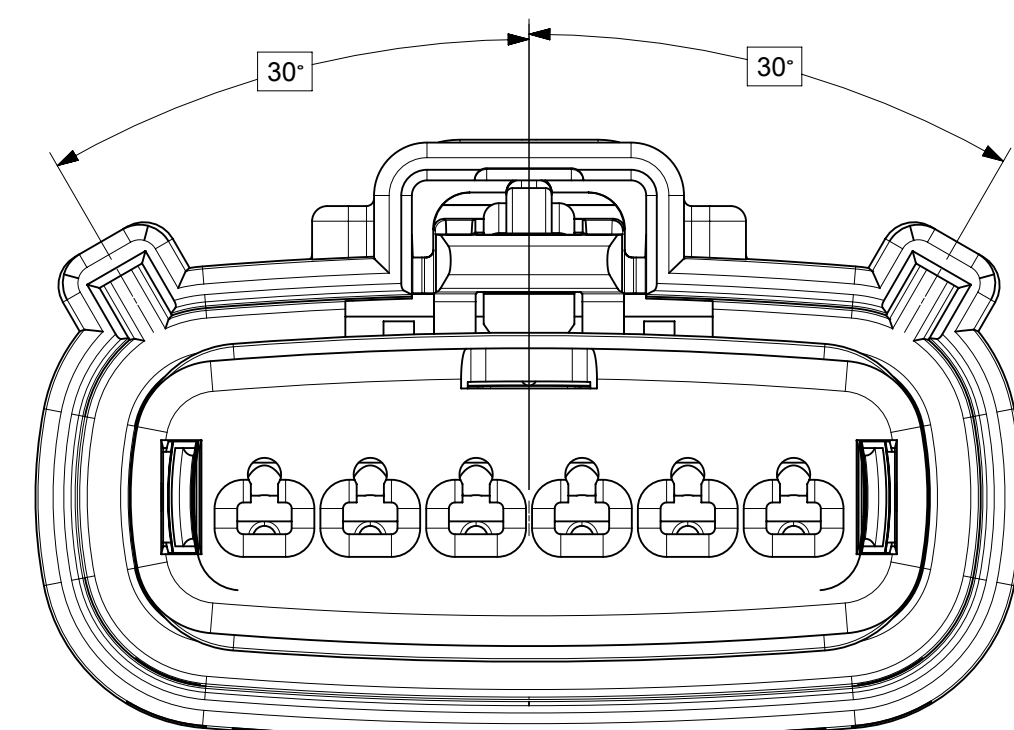
KEY A



KEY B



KEY C

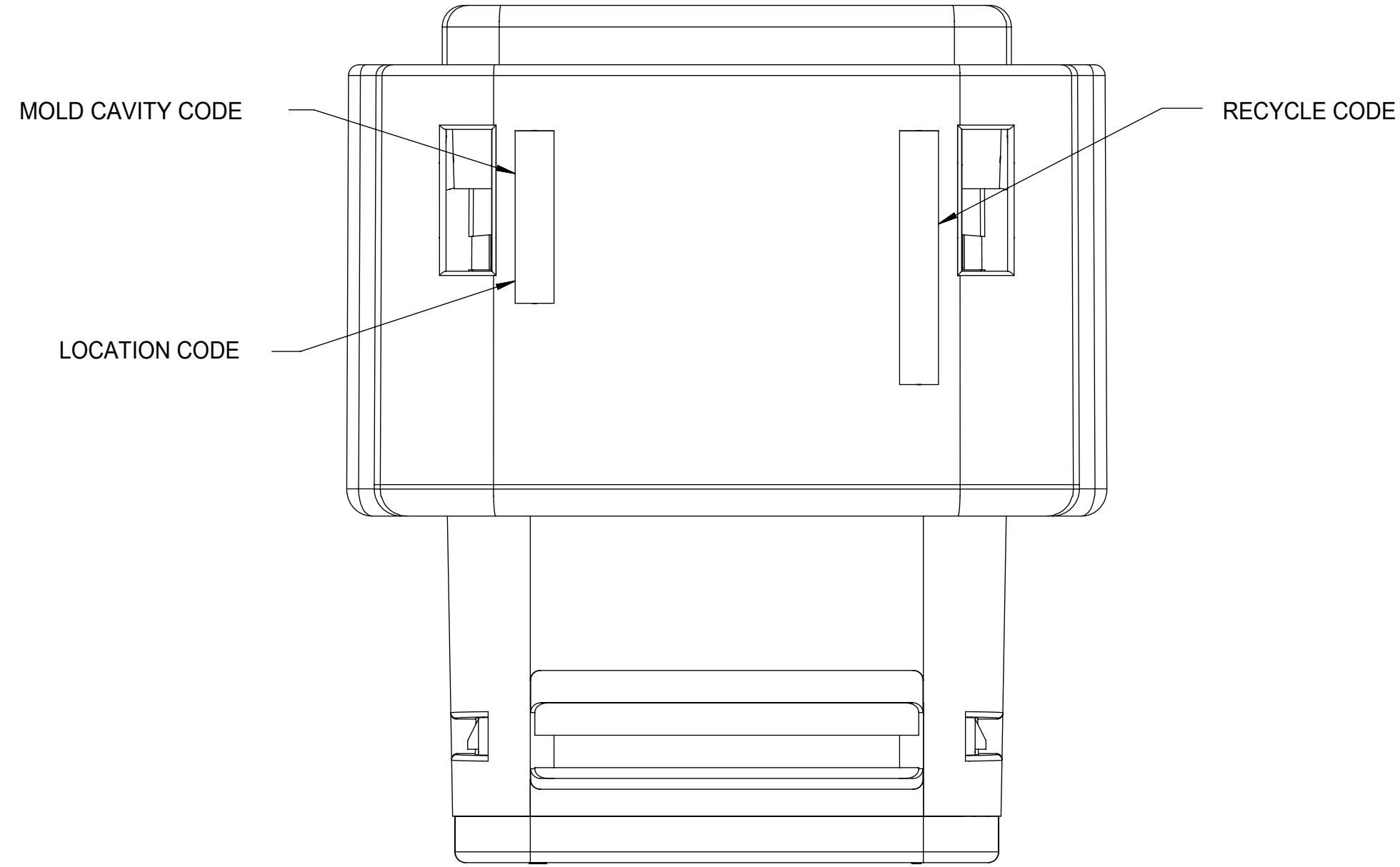
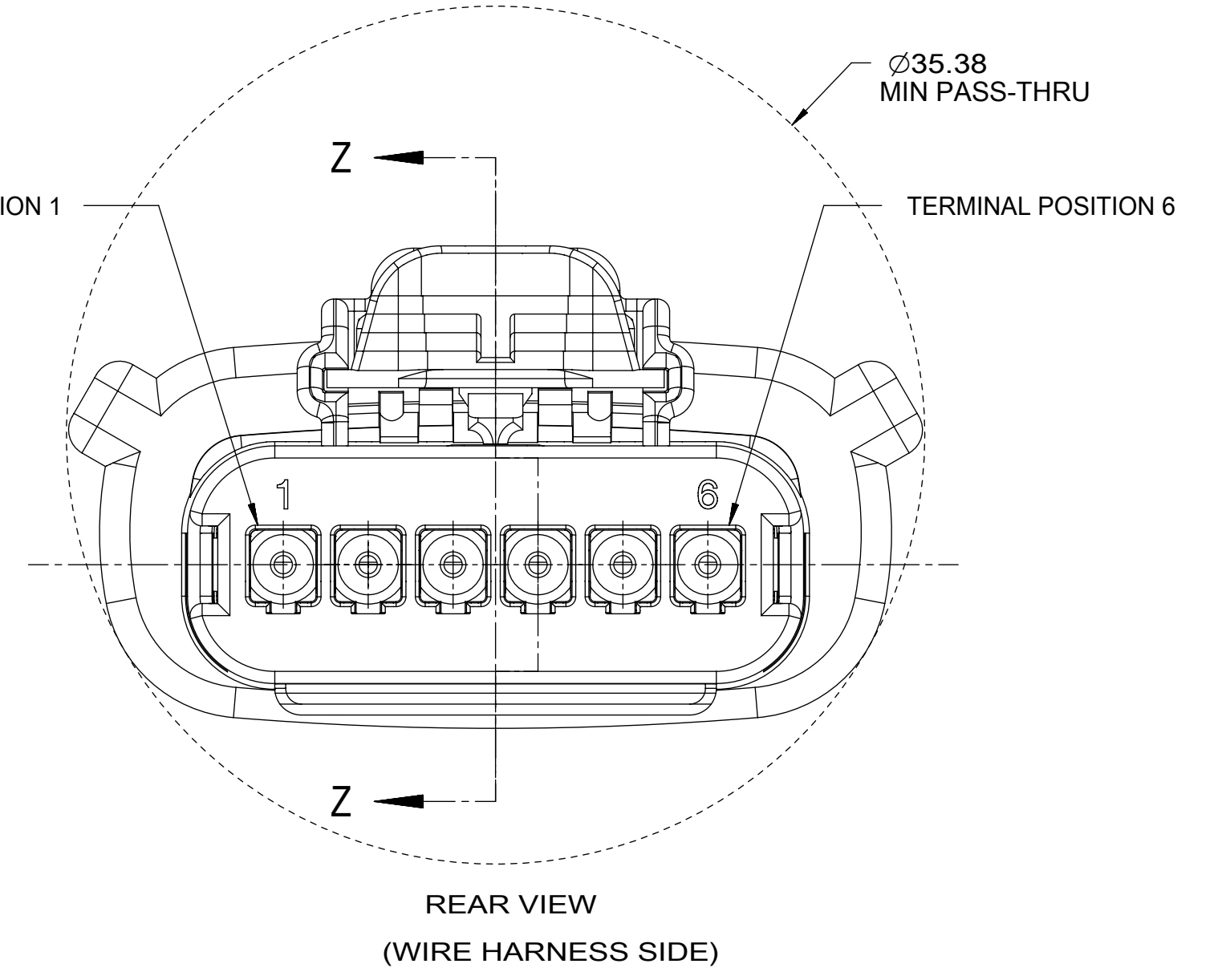
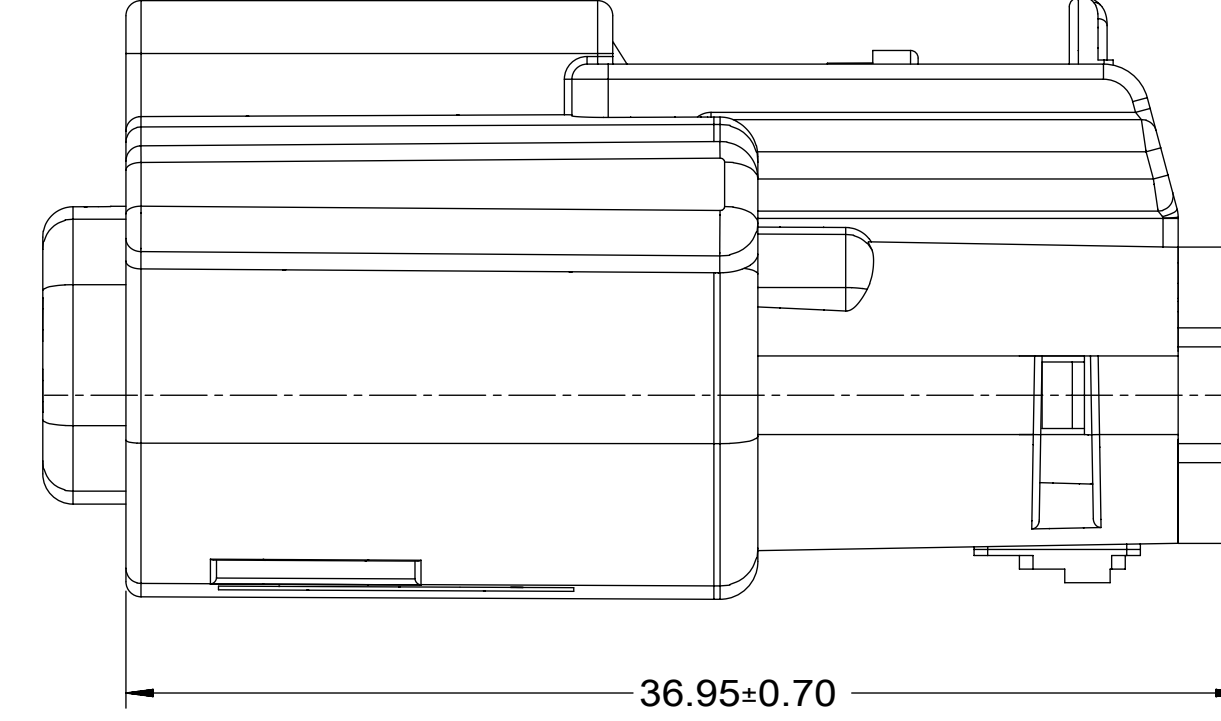
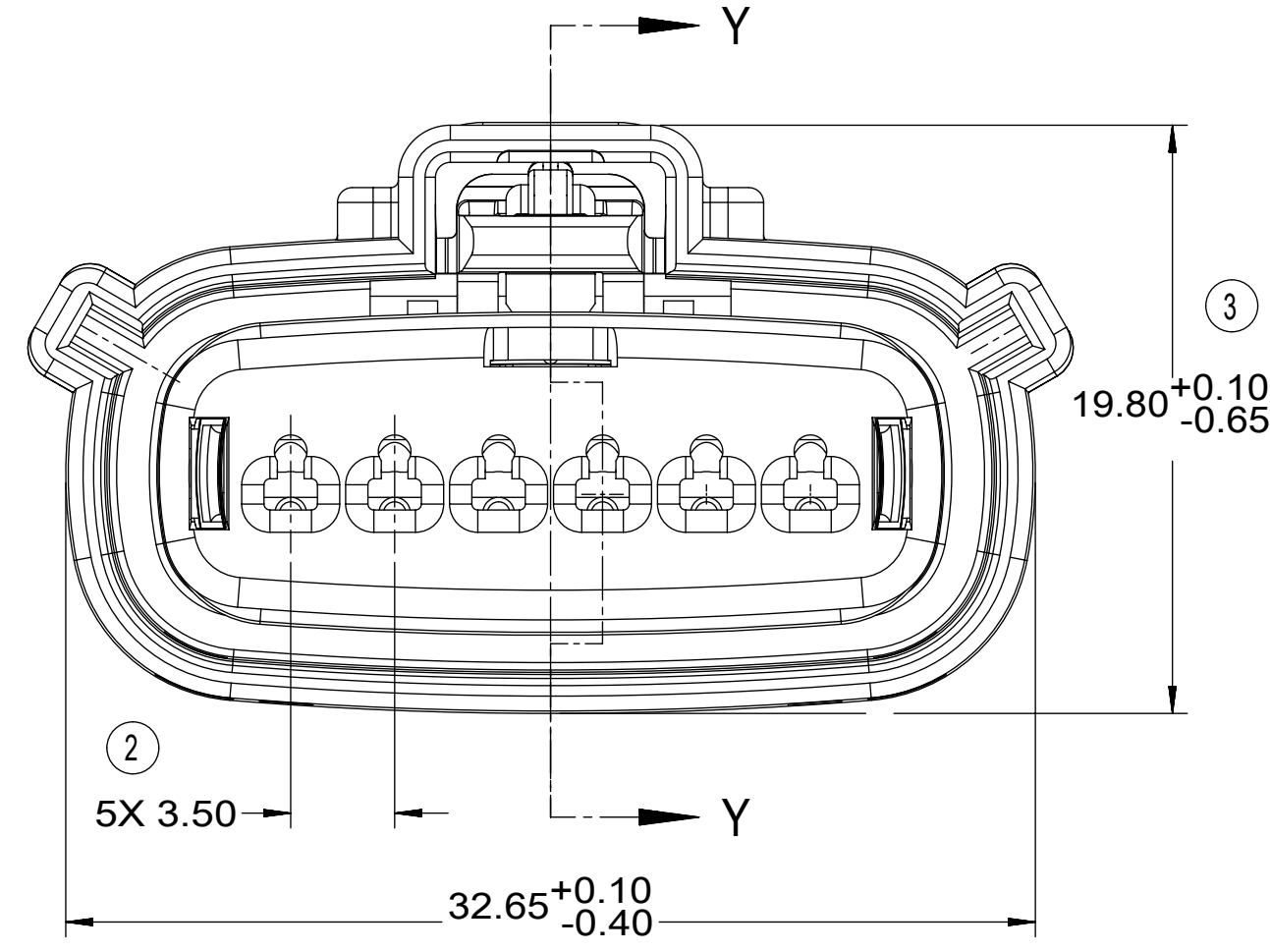
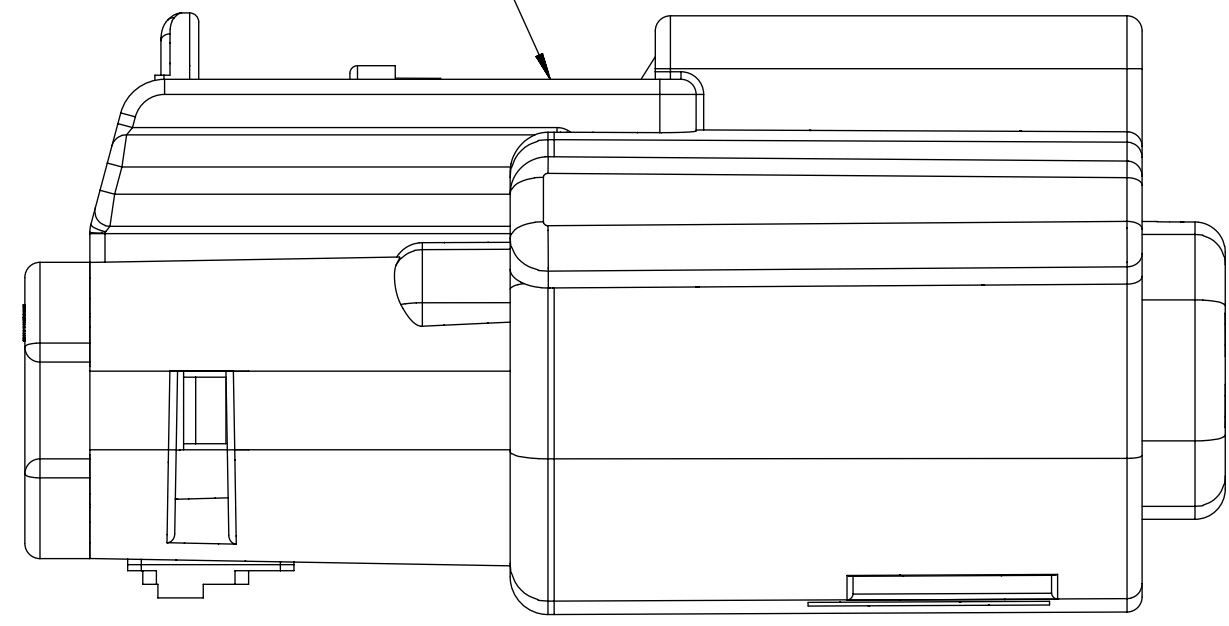


KEY D

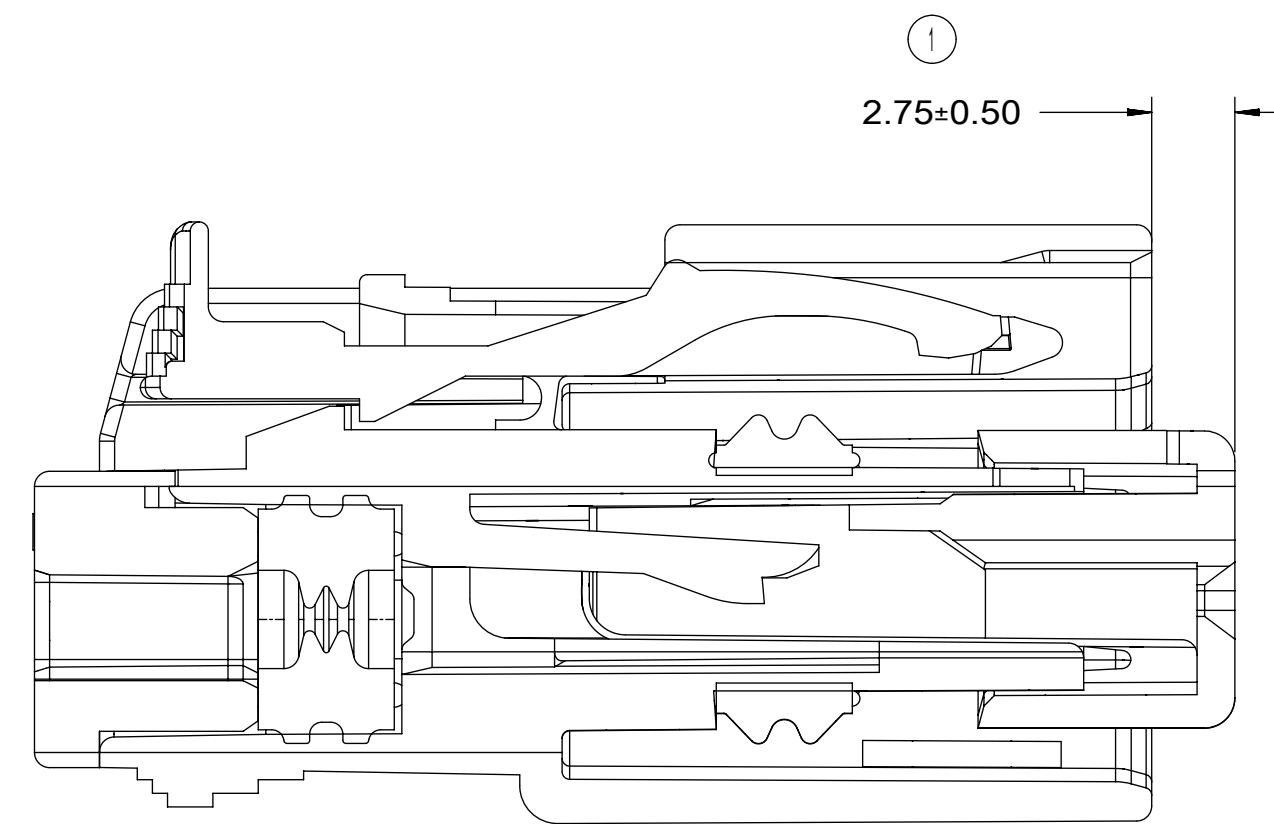
FUNCTIONAL SYMBOLS	THIS DRAWING CONTAINS INFORMATION THAT IS PROPRIETARY TO MOLEX ELECTRONIC TECHNOLOGIES, LLC AND SHOULD NOT BE USED WITHOUT WRITTEN PERMISSION		
	DIMENSION UNITS	SCALE	CURRENT REV DESC: SEE REVISION TABLE
$\nabla_A = 0$	mm	4:1	EC NO: 669011 DRWN: SCV 2021/07/02 CHK'D: GGA 2021/07/08 APPR: GGA 2021/07/08 INITIAL REVISION: DRWN: DGRIFITHS 2005/08/26 APPR: smarceau 2005/08/29
$\nabla_C = 0$	GENERAL TOLERANCES (UNLESS SPECIFIED)		
$\nabla_D = 0$	ANGULAR TOL \pm 3.0°		
DIVISIONAL SYMBOLS	4 PLACES	\pm	
	3 PLACES	\pm	
	2 PLACES	\pm 0.1	
	1 PLACE	\pm 0.3	
	0 PLACES	\pm	
DRAFT WHERE APPLICABLE MUST REMAIN WITHIN DIMENSIONS		THIRD ANGLE PROJECTION	DRAWING SERIES D-SIZE 33471
DOCUMENT STATUS		DOCUMENT NUMBER	MATERIAL NUMBER CUSTOMER SHEET NUMBER SD-33471-061 PSD 001 U5 SEE TABLE GENERAL MARKET 2 OF 6

SHEET DESCRIPTION
RCPT CONNECTOR ASSY

LASER MARKING THIS SURFACE
SEE NOTE 3g.

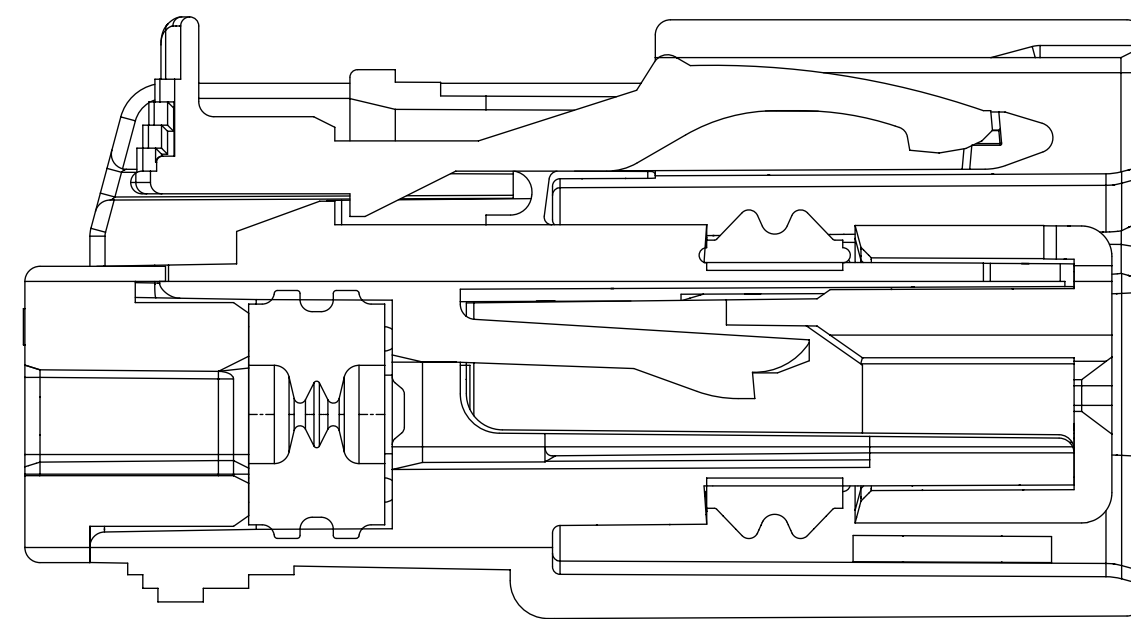


Bottom1



PRIMARY LOCK REINFORCEMENT (PLR) SHOWN
IN PRE-STAGED POSITION

SECTION Z-Z



PRIMARY LOCK REINFORCEMENT (PLR) SHOWN
IN FINAL-LOCK POSITION

SECTION Y-Y

FUNCTIONAL SYMBOLS FA = 0 FE = 0 FP = 0 DIVISIONAL SYMBOLS	THIS DRAWING CONTAINS INFORMATION THAT IS PROPRIETARY TO MOLEX ELECTRONIC TECHNOLOGIES, LLC AND SHOULD NOT BE USED WITHOUT WRITTEN PERMISSION		CURRENT REV DESC: SEE REVISION TABLE	
	DIMENSION UNITS	SCALE		
	mm	4:1		
	GENERAL TOLERANCES (UNLESS SPECIFIED)			
	ANGULAR TOL	± 3.0°		
	4 PLACES	±		
	3 PLACES	±		
	2 PLACES	± 0.1		
	1 PLACE	± 0.3		
	0 PLACES	±		
DRAFT WHERE APPLICABLE MUST REMAIN WITHIN DIMENSIONS		THIRD ANGLE PROJECTION	DRAWING	SERIES
			D-SIZE	33471
		EC NO: 669011	DRWN: SCV	2021/07/02
		CHK'D: GGA	2021/07/08	
		APPR: GGA	2021/07/08	
		INITIAL REVISION:		
		DRWN: DGRIFITHS	2005/08/26	
		APPR: smarceau	2005/08/29	
		DOCUMENT NUMBER	DOC TYPE	DOC PART
		SD-33471-061	PSD	001
		REVISION		
				U5
		MATERIAL NUMBER	CUSTOMER	SHEET NUMBER
		SEE TABLE	GENERAL MARKET	3 OF 6

SHEET DESCRIPTION

BOM SHEET 1

ASSEMBLY PART NUMBER	COLOR	KEYING OPTION	CAVITY TYPE & STATUS (NUMBER PRESENT = PLUGGED)						CPA	STATUS	COMMENTS	
			1	2	3	4	5	6				
33471-0601	BLACK	A							---	PLANNED OBSOLESCENCE		
33471-0602	LT.GRAY	B							---	PLANNED OBSOLESCENCE		
33471-0603	BROWN	C							---	NOT RECOMMENDED	SEE P/N 33471-0659	
33471-0604	GREEN	D							---	NOT RECOMMENDED	SEE P/N 33471-0660	
33471-0605	YELLOW	A							---	PLANNED OBSOLESCENCE		
33471-0606	BLACK	A							YES	PLANNED OBSOLESCENCE		
33471-0607	LT.GRAY	B							YES	PLANNED OBSOLESCENCE		
33471-0608	BROWN	C							YES	NOT RECOMMENDED	SEE P/N 33471-0661	
33471-0609	GREEN	D							YES	NOT RECOMMENDED	SEE P/N 33471-0662	
33471-0610	YELLOW	A							YES	PLANNED OBSOLESCENCE		
33471-0611	BLACK	A						6	---	PLANNED OBSOLESCENCE		
33471-0612	LT.GRAY	B						6	---	PLANNED OBSOLESCENCE		
33471-0613	BROWN	C						6	---	NOT RECOMMENDED	SEE P/N 33471-0663	
33471-0614	GREEN	D						6	---	NOT RECOMMENDED	SEE P/N 33471-0664	
33471-0615	YELLOW	A						6	---	PLANNED OBSOLESCENCE		
33471-0616	BLACK	A						6	YES	PLANNED OBSOLESCENCE		
33471-0617	LT.GRAY	B						6	YES	PLANNED OBSOLESCENCE		
33471-0618	BROWN	C						6	YES	NOT RECOMMENDED	SEE P/N 33471-0665	
33471-0619	GREEN	D						6	YES	NOT RECOMMENDED	SEE P/N 33471-0666	
33471-0620	YELLOW	A						6	YES	PLANNED OBSOLESCENCE		
33471-0621	BLACK	A	1					6	---	PLANNED OBSOLESCENCE		
33471-0622	LT.GRAY	B	1					6	---	PLANNED OBSOLESCENCE		
33471-0623	BROWN	C	1					6	---	NOT RECOMMENDED	SEE P/N 33471-0667	
33471-0624	GREEN	D	1					6	---	NOT RECOMMENDED	SEE P/N 33471-0668	
33471-0625	YELLOW	A	1					6	---	PLANNED OBSOLESCENCE		
33471-0626	BLACK	A	1					6	YES	PLANNED OBSOLESCENCE		
33471-0627	LT.GRAY	B	1					6	YES	PLANNED OBSOLESCENCE		
33471-0628	BROWN	C	1					6	YES	NOT RECOMMENDED	SEE P/N 33471-0669	
33471-0629	GREEN	D	1					6	YES	NOT RECOMMENDED	SEE P/N 33471-0670	
33471-0630	YELLOW	A	1					6	YES	PLANNED OBSOLESCENCE		
33471-0631	BLACK	A	1	2	3	4	5	6	---	PLANNED OBSOLESCENCE		
33471-0632	LT.GRAY	B	1	2	3	4	5	6	---	PLANNED OBSOLESCENCE		
33471-0633	BROWN	C	1	2	3	4	5	6	---	NOT RECOMMENDED	SEE P/N 33471-0671	
33471-0634	GREEN	D	1	2	3	4	5	6	---	NOT RECOMMENDED	SEE P/N 33471-0672	
33471-0635	YELLOW	A	1	2	3	4	5	6	---	PLANNED OBSOLESCENCE		
33471-0650	BLACK	A						5	6	---	PLANNED OBSOLESCENCE	
33471-0651	BLACK	A	1	2	3	4	5	6	YES	PLANNED OBSOLESCENCE		
33471-0652	BLACK	A					4		YES	PLANNED OBSOLESCENCE		
33471-0653	BLACK	A				3			YES	PLANNED OBSOLESCENCE		
33471-0654	BLACK	A				3			---	PLANNED OBSOLESCENCE		
33471-0655	BLACK	A				3	4	5	---	PLANNED OBSOLESCENCE		
33471-0656	BLACK	A						5	---	PLANNED OBSOLESCENCE		
33471-0657	BLACK	A					4		---	PLANNED OBSOLESCENCE		
33471-0658	BLACK	A	1	2	3	4			---	PLANNED OBSOLESCENCE		
33471-0659	DARK GRAY	C							---	PLANNED OBSOLESCENCE		
33471-0660	STONE GRAY	D							---	PLANNED OBSOLESCENCE		
33471-0661	DARK GRAY	C							YES	PLANNED OBSOLESCENCE		
33471-0662	STONE GRAY	D							YES	PLANNED OBSOLESCENCE		
33471-0663	DARK GRAY	C						6	---	PLANNED OBSOLESCENCE		
33471-0664	STONE GRAY	D						6	---	PLANNED OBSOLESCENCE		
33471-0665	DARK GRAY	C						6	YES	PLANNED OBSOLESCENCE		
33471-0666	STONE GRAY	D						6	YES	PLANNED OBSOLESCENCE		
33471-0667	DARK GRAY	C	1					6	---	PLANNED OBSOLESCENCE		
33471-0668	STONE GRAY	D	1					6	---	PLANNED OBSOLESCENCE		
33471-0669	DARK GRAY	C	1					6	YES	PLANNED OBSOLESCENCE		
33471-0670	STONE GRAY	D	1					6	YES	PLANNED OBSOLESCENCE		
33471-0671	DARK GRAY	C	1	2	3	4	5	6	---	PLANNED OBSOLESCENCE		
33471-0672	STONE GRAY	D	1	2	3	4	5	6	---	PLANNED OBSOLESCENCE		
33471-0673	BLACK	A						6	---	PLANNED OBSOLESCENCE		
33471-0674	BLACK	A		2					---	PLANNED OBSOLESCENCE		
33471-0675	BLACK	A	1					5	YES	PLANNED OBSOLESCENCE		
33471-0676	BLACK	A	1						---	PLANNED OBSOLESCENCE		
33471-0677	BLACK	A		2	3	4			---	PLANNED OBSOLESCENCE		
33471-0678	BLACK	A					4	5	---	PLANNED OBSOLESCENCE		

FUNCTIONAL SYMBOLS	THIS DRAWING CONTAINS INFORMATION THAT IS PROPRIETARY TO MOLEX ELECTRONIC TECHNOLOGIES, LLC AND SHOULD NOT BE USED WITHOUT WRITTEN PERMISSION		CURRENT REV DESC: SEE REVISION TABLE	
	DIMENSION UNITS	SCALE		
$F_A = 0$	mm	1:1		
$F_C = 0$	GENERAL TOLERANCES (UNLESS SPECIFIED)			
	ANGULAR TOL	± 3.0°		
DIVISIONAL SYMBOLS	4 PLACES	±	EC NO: 669011	
	3 PLACES	±	DRWN: SCV	2021/07/02
	2 PLACES	± 0.1	CHK'D: GGA	2021/07/08
	1 PLACE	± 0.3	APPR: GGA	2021/07/08
0 PLACES	±	INITIAL REVISION:		
DRAFT WHERE APPLICABLE MUST REMAIN WITHIN DIMENSIONS		THIRD ANGLE PROJECTION	DRAWING	SERIES
			D-SIZE	33471
		MATERIAL NUMBER		CUSTOMER
		SEE TABLE		GENERAL MARKET
		DOCUMENT NUMBER		DOC TYPE
		SD-33471-061		PSD
		DOC PART		REVISION
		001		U5
		SHEET NUMBER		
		4 OF 6		

SHEET DESCRIPTION
BOM SHEET 2

ASSEMBLY PART NUMBER	COLOR	KEYING OPTION	CAVITY TYPE & STATUS (NUMBER PRESENT = PLUGGED)						CPA	STATUS	COMMENTS
			1	2	3	4	5	6			
33471-6601	BLACK	A							—	PLANNED OBSOLESCENCE	
33471-6606	BLACK	A							YES	PLANNED OBSOLESCENCE	

FUNCTIONAL SYMBOLS FA = 0 FC = 0 FP = 0 DIVISIONAL SYMBOLS	THIS DRAWING CONTAINS INFORMATION THAT IS PROPRIETARY TO MOLEX ELECTRONIC TECHNOLOGIES, LLC AND SHOULD NOT BE USED WITHOUT WRITTEN PERMISSION		CURRENT REV DESC: SEE REVISION TABLE		 MX150 1X6 RECEPTACLE SEALED ASSEMBLY MAT SEAL PRODUCT CUSTOMER DRAWING		
	DIMENSION UNITS	SCALE	EC NO: 669011				
	mm	1:1	DRWN: SCV 2021/07/02				
	GENERAL TOLERANCES (UNLESS SPECIFIED)		CHK'D: GGA 2021/07/08				
	ANGULAR TOL ± 3.0°		APPR: GGA 2021/07/08				
	4 PLACES	±	INITIAL REVISION:				
	3 PLACES	±	DRWN: DGRIFITHS 2005/08/26				
2 PLACES	± 0.1	APPR: smarceau 2005/08/29					
1 PLACE	± 0.3	DOCUMENT NUMBER					
0 PLACES	±	SD-33471-061					
DRAFT WHERE APPLICABLE MUST REMAIN WITHIN DIMENSIONS		THIRD ANGLE PROJECTION	DRAWING	SERIES	DOC TYPE	DOC PART	REVISION
			D-SIZE	33471	PSD	001	U5
			SEE TABLE	GENERAL MARKET	5 OF 6		

SHEET DESCRIPTION

BOM SHEET 3

ASSEMBLY PART NUMBER	COLOR	KEYING OPTION	CAVITY TYPE & STATUS (NUMBER PRESENT = PLUGGED)						CPA	STATUS	COMMENTS
			1	2	3	4	5	6			
33471-6001	BLACK	A							---	SALEABLE	
33471-6002	LT.GRAY	B							---	SALEABLE	
33471-6003	BROWN	C							---	NOT RECOMMENDED	SEE P/N 33471-6059
33471-6004	GREEN	D							---	NOT RECOMMENDED	SEE P/N 33471-6060
33471-6005	YELLOW	A							---	SALEABLE	
33471-6006	BLACK	A							YES	SALEABLE	
33471-6007	LT.GRAY	B							YES	SALEABLE	
33471-6008	BROWN	C							YES	NOT RECOMMENDED	SEE P/N 33471-6061
33471-6009	GREEN	D							YES	NOT RECOMMENDED	SEE P/N 33471-6062
33471-6010	YELLOW	A							YES	SALEABLE	
33471-6011	BLACK	A							6	---	SALEABLE
33471-6012	LT.GRAY	B							6	---	SALEABLE
33471-6015	YELLOW	A							6	---	SALEABLE
33471-6016	BLACK	A							6	YES	SALEABLE
33471-6017	LT.GRAY	B							6	YES	SALEABLE
33471-6020	YELLOW	A							6	YES	SALEABLE
33471-6021	BLACK	A	1						6	---	SALEABLE
33471-6022	LT.GRAY	B	1						6	---	SALEABLE
33471-6025	YELLOW	A	1						6	---	SALEABLE
33471-6026	BLACK	A	1						6	YES	SALEABLE
33471-6027	LT.GRAY	B	1						6	YES	SALEABLE
33471-6030	YELLOW	A	1						6	YES	SALEABLE
33471-6031	BLACK	A	1	2	3	4	5	6	---	SALEABLE	
33471-6032	LT.GRAY	B	1	2	3	4	5	6	---	SALEABLE	
33471-6035	YELLOW	A	1	2	3	4	5	6	---	SALEABLE	
33471-6050	BLACK	A						5	6	---	SALEABLE
33471-6051	BLACK	A	1	2	3	4	5	6	YES	SALEABLE	
33471-6052	BLACK	A				4			YES	SALEABLE	
33471-6053	BLACK	A			3				YES	SALEABLE	
33471-6054	BLACK	A			3				---	SALEABLE	
33471-6055	BLACK	A			3	4	5		---	SALEABLE	
33471-6056	BLACK	A					5		---	SALEABLE	
33471-6057	BLACK	A				4			---	SALEABLE	
33471-6058	BLACK	A	1	2	3	4			---	SALEABLE	
33471-6059	DARK GRAY	C							---	SALEABLE	
33471-6060	STONE GRAY	D							---	SALEABLE	
33471-6061	DARK GRAY	C							YES	SALEABLE	
33471-6062	STONE GRAY	D							YES	SALEABLE	
33471-6063	DARK GRAY	C						6	---	SALEABLE	
33471-6064	STONE GRAY	D						6	---	SALEABLE	
33471-6065	DARK GRAY	C						6	YES	SALEABLE	
33471-6066	STONE GRAY	D						6	YES	SALEABLE	
33471-6067	DARK GRAY	C	1					6	---	SALEABLE	
33471-6068	STONE GRAY	D	1					6	---	SALEABLE	
33471-6069	DARK GRAY	C	1					6	YES	SALEABLE	
33471-6070	STONE GRAY	D	1					6	YES	SALEABLE	
33471-6071	DARK GRAY	C	1	2	3	4	5	6	---	SALEABLE	
33471-6072	STONE GRAY	D	1	2	3	4	5	6	---	SALEABLE	
33471-6073	BLACK	A			3			6	---	SALEABLE	
33471-6074	BLACK	A		2					---	SALEABLE	
33471-6075	BLACK	A	1		3		5		YES	SALEABLE	
33471-6076	BLACK	A	1						---	SALEABLE	
33471-6077	BLACK	A		2	3	4			---	SALEABLE	
33471-6078	BLACK	A				4	5		---	SALEABLE	
33471-6079	BLACK	A	1						YES	SALEABLE	
33471-6080	BLACK	A			3	4			YES	SALEABLE	
33471-6081	LT.GRAY	B	1	2			5		YES	SALEABLE	

FUNCTIONAL SYMBOLS	THIS DRAWING CONTAINS INFORMATION THAT IS PROPRIETARY TO MOLEX ELECTRONIC TECHNOLOGIES, LLC AND SHOULD NOT BE USED WITHOUT WRITTEN PERMISSION		CURRENT REV DESC: SEE REVISION TABLE	
	DIMENSION UNITS	SCALE		
$F_A = 0$	mm	1:1		
$F_C = 0$	GENERAL TOLERANCES (UNLESS SPECIFIED)			
$F_P = 0$	ANGULAR TOL $\pm 3.0^\circ$			
DIVISIONAL SYMBOLS	4 PLACES	\pm	EC NO: 669011	
	3 PLACES	\pm	DRWN: SCV	2021/07/08
	2 PLACES	± 0.1	CHK'D: GGA	2021/07/08
	1 PLACE	± 0.3	APPR: GGA	2021/07/08
0 PLACES	\pm	INITIAL REVISION:		
DRAFT WHERE APPLICABLE MUST REMAIN WITHIN DIMENSIONS		THIRD ANGLE PROJECTION	DRAWING	SERIES
			D-SIZE	33471
DOCUMENT STATUS		DOCUMENT NUMBER	DOC TYPE	DOC PART
P1	RELEASE DATE	SD-33471-061	PSD	001
2021/07/08	11:19:18			REVISION
				U5
		MATERIAL NUMBER	CUSTOMER	SHEET NUMBER
		SEE TABLE	GENERAL MARKET	6 OF 6



MX150 1X6 RECEPTACLE SEALED ASSEMBLY MAT SEAL

PRODUCT CUSTOMER DRAWING