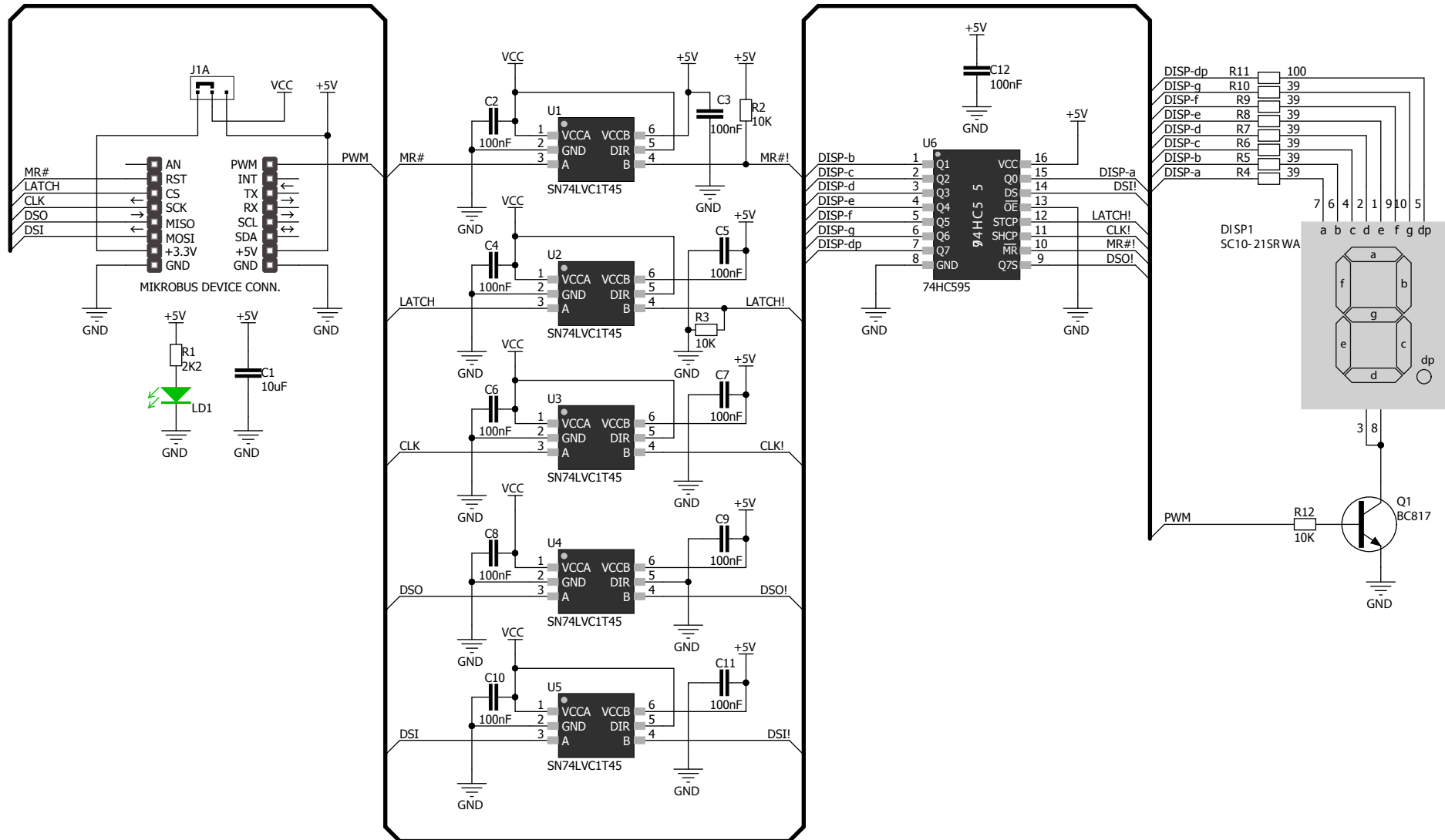


BIG 7-SEG R click schematic v100



www.mikroe.com