

RECOMMENDED PANEL MOUNTING

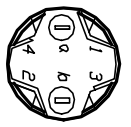
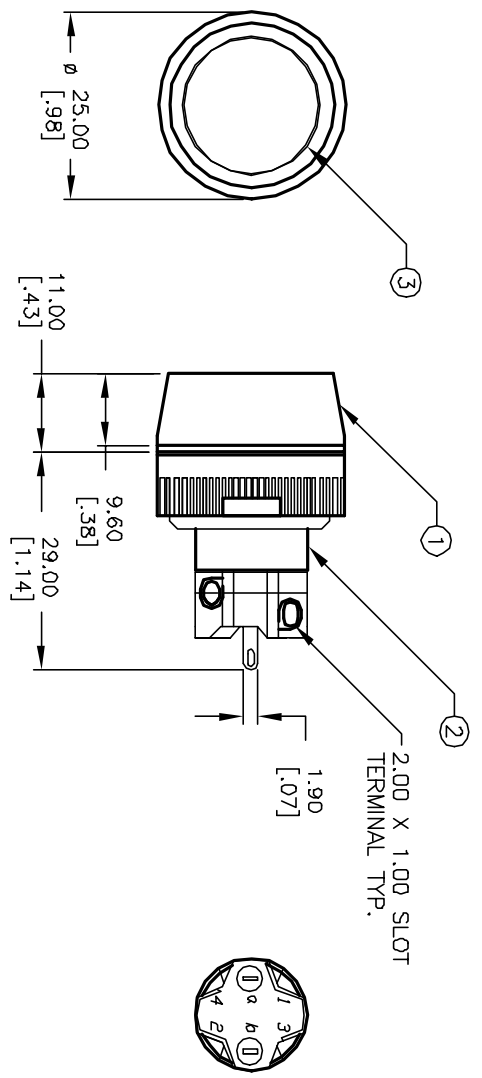
PARTS LIST			Part No.
Item	Qty.	Dwg. No.	
1	1	F051702	25mm RING FOR LA SERIES
2	1	F060606	LASQAV110
3	1	F060254	25mm GRN LENS

1 0 1 0 2
3 0 0 4
a-L-b (+)

SPST CONTACT CONFIGURATION

NOTES:

1. ALL DIMENSIONS IN MM [INCH]
2. GENERAL TOLERANCE: X.X=±0.4 X.XX=±0.25
3. RATINGS: 250VAC @1A, 2A, 4A, 5A



REV.	ECN No.	DESCRIPTION	DATE	CHK'D
A	11209	RELEASED FOR PRODUCTION	2/01/01	CJB

TITLE		SCALE		DATE		DR		DWG		REV	
LAS DA V1 10 GRN (W/D LAMP)		1:1		2/01/01		CJB		XF0398A		A	



THE INFORMATION CONTAINED IN THIS DOCUMENT IS PROPRIETARY TO E-SWITCH AND IS NOT TO BE COPIED OR TRANSMITTED