



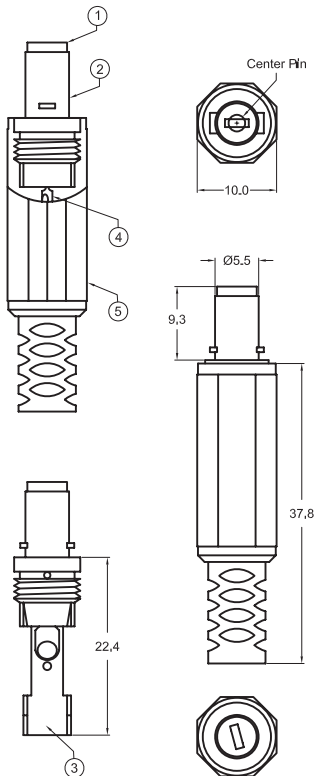
**DC POWER CONNECTORS: KLDX Plug Series
DC Power Plug**

Product Features

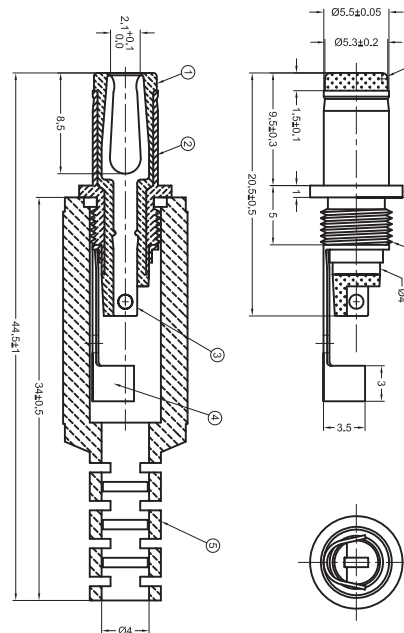
To be used with 2.0mm and 2.5mm Jacks
Available as Assembly Type or For Overmolding
Available Locking and non Locking Type
Tuning Fork Design

**KLDX-PA-0202
Dimensions in mm**

KLDX-PA-0202-x-LT
Assembly type, Locking



KLDX-PA-0202-A
Assembly type, Non Locking



2D Drawing	IGES	STEP	3D PDF
Solder Profile	CofC RoHS Compliant	CofC REACH Compliant	UL Plastic File
Certificate of Origin	Check Stock	Request a Sample	Send Us An Email

Generated Part Number

Part Number Builder

-
 Series Diameter Type Option

Series

KLDX-PA-0202 - DC Power Plug Assembly Type

Diameter

A - For 2.0mm Jack
B - For 2.5mm Jack

Type

Blank - Standard Type (Non Locking)
LT - Locking Type

Contact Kycon for Custom Cable Options