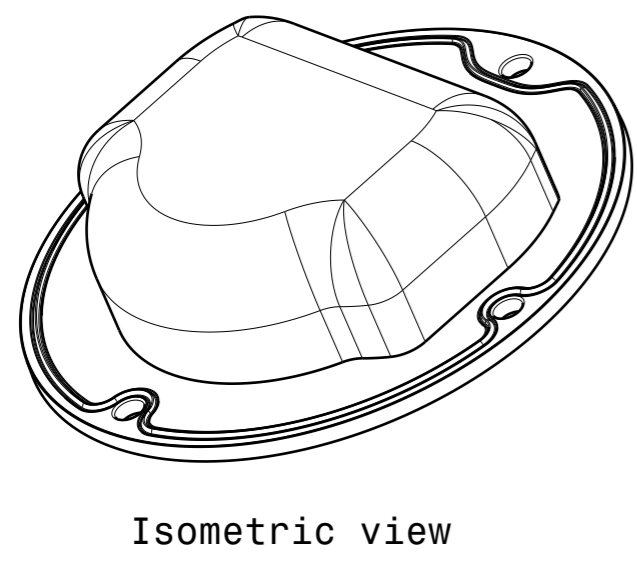
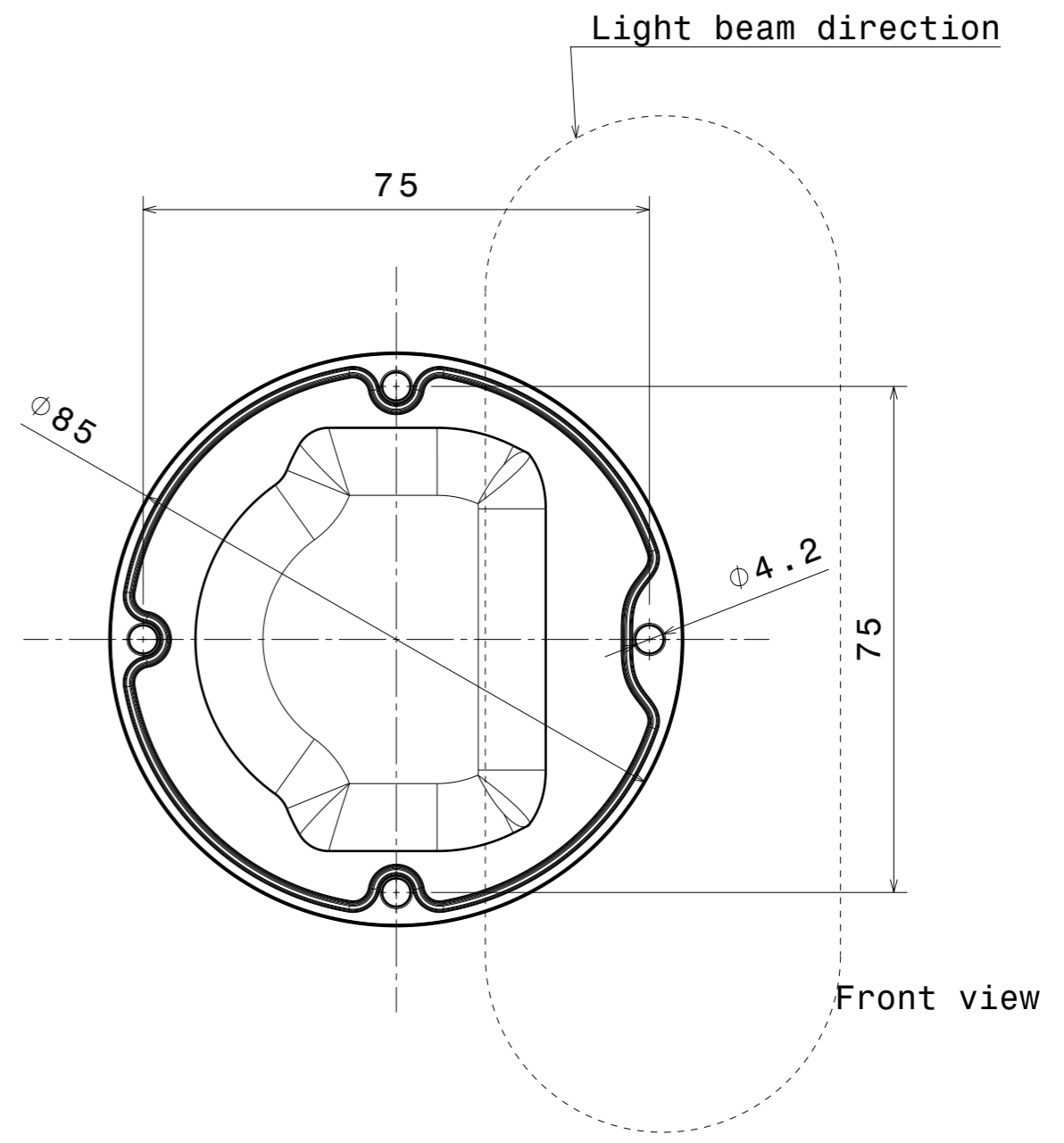
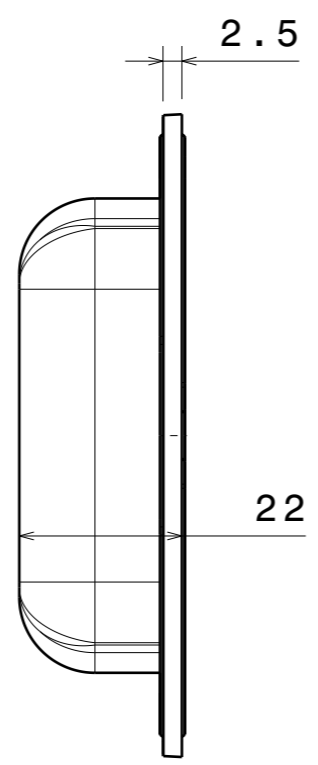
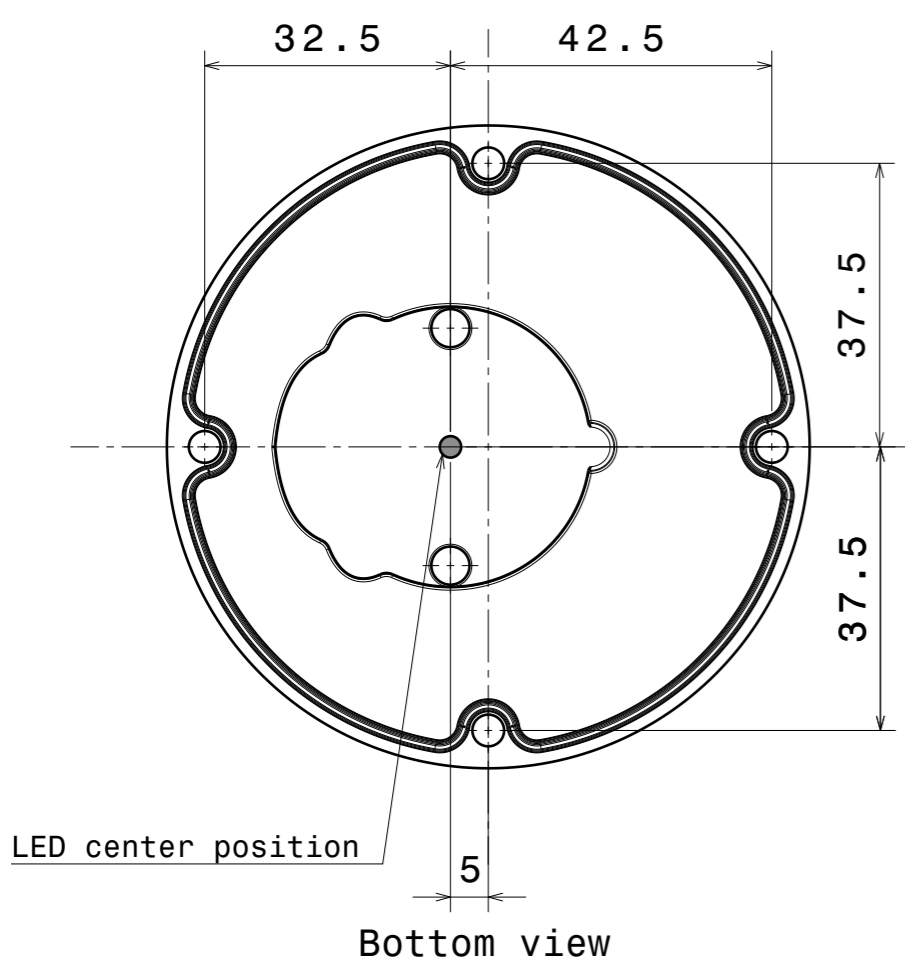


H G F E D C B A



INDEX	PART NO	DESCRIPTION	MATERIAL	COLOUR
1	F13321	STELLA-A	Optical grade LSR	

Tolerances if not otherwise shown
 According to DIN ISO 2768-1
 Linear measures: class V
 Please note that due to the elasticity of products made of silicone actual measured values may vary, and therefore typical tolerance values may not be applied.

LEDiL LediL Oy
 Salorankatu 10
 FIN 24240 SALO
 Finland

THIRD ANGLE PROJECTION:

DRAWING TITLE
F13321_STELLA-A

This drawing is the property of LEDiL Oy. It may not be reproduced, copied or communicated without a written agreement with LEDiL Oy.

SIZE PART NUMBER
A3 F13321

SCALE 1:1 WEIGHT 58 g SHEET 1/1

H G B A