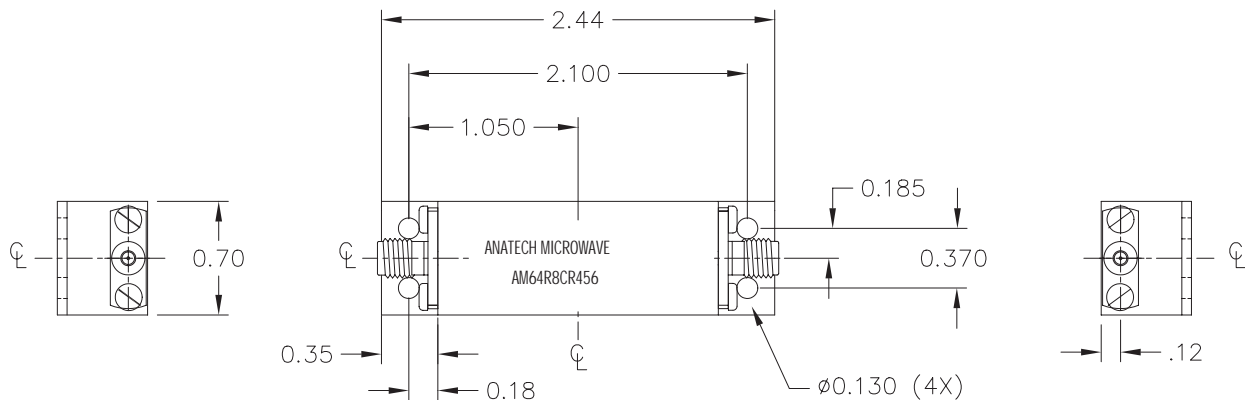




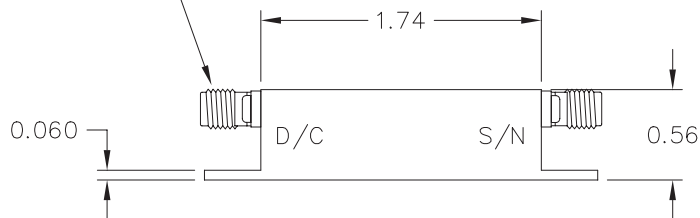
64.8MHz CRYSTAL BANDPASS FILTER  
 P/N AM64R8CR546

General Specifications

Center Frequency( $F_o$ ): 64.8MHz  
 Insertion Loss @  $F_o$ : <4dB  
 3dB BW:  $F_o \pm 20$ KHz  
 Return Loss @  $F_o$ : 14dB Max.  
 Rejection @ 63.5MHz: >75dB  
 Rejection @ 66.1MHz: >75dB  
 Power Handling: 15dBm Max.  
 Mechanical: Hermetically Sealed  
 Connectors: SMA(F), In/Out



SMA CONNECTOR  
 (DA-116)(2X)



PACKAGE IS HERMETICALLY SEALED

USE THE FOLLOWING HARDWARE:  
 2-56 x 3/16", PHMS, PHLP SS SCREW (HF-194)(4X)  
 LOCK SCREWS WITH LOCTITE  
 AFTER WATER POT TEST !

INCLUDE FOLLOWING HARDWARE:  
 4-40 x .25 PHMS = HF-171 (4X)  
 LOCK WASHER = HF-328 (4X)  
 4-40 NUT(NARROW) = HF-304 (4X)