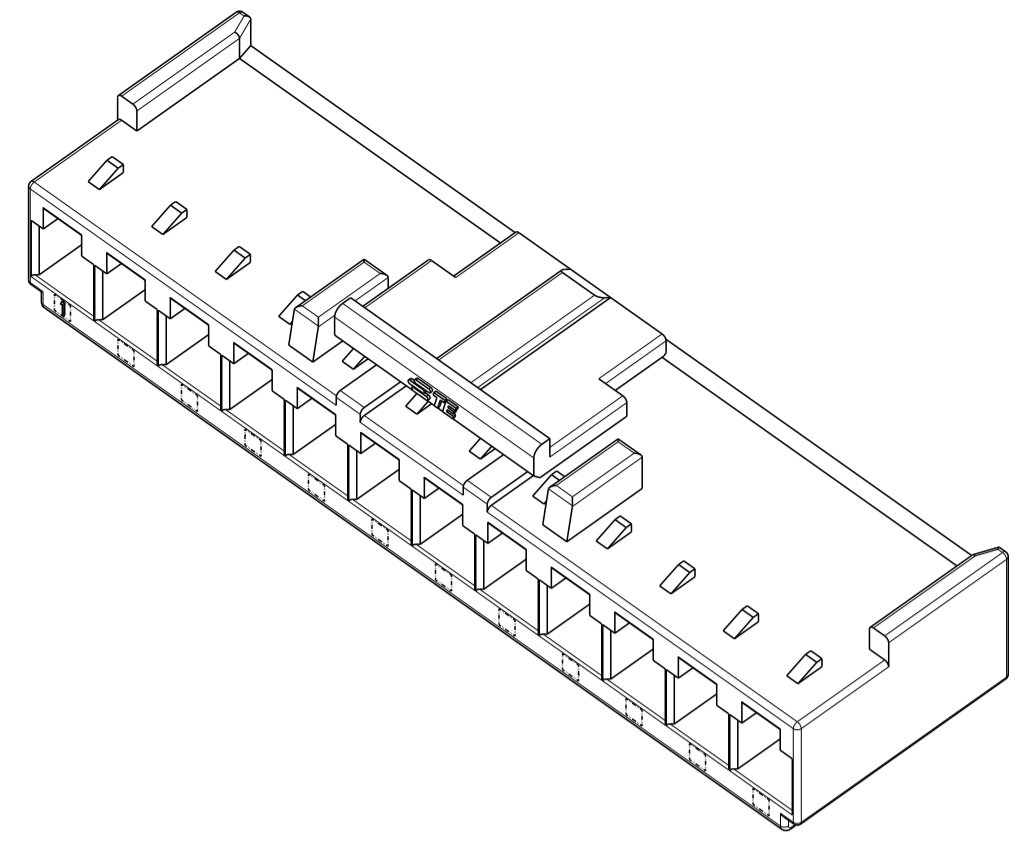
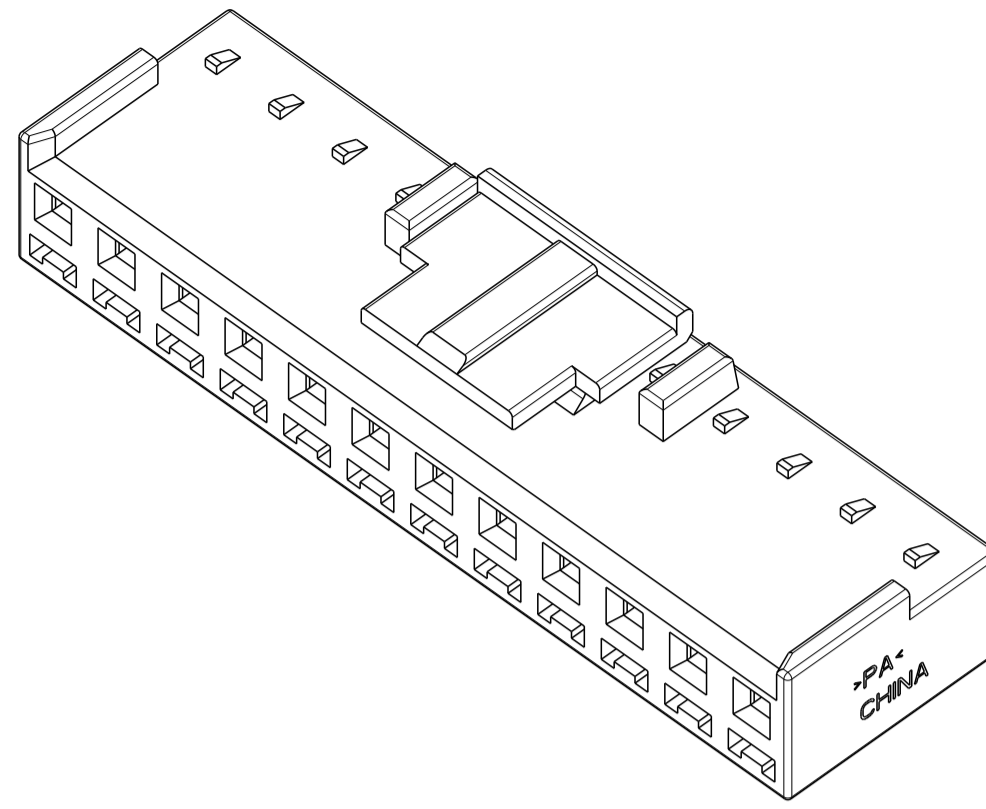
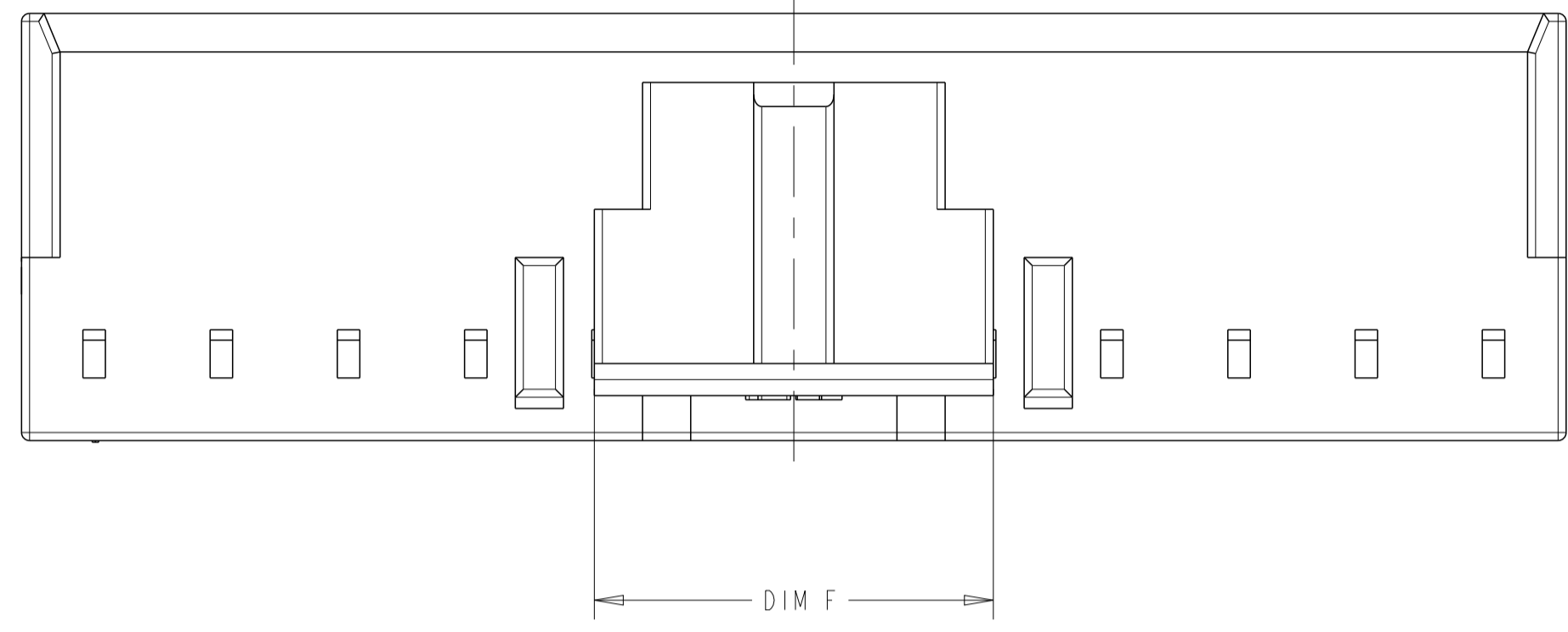
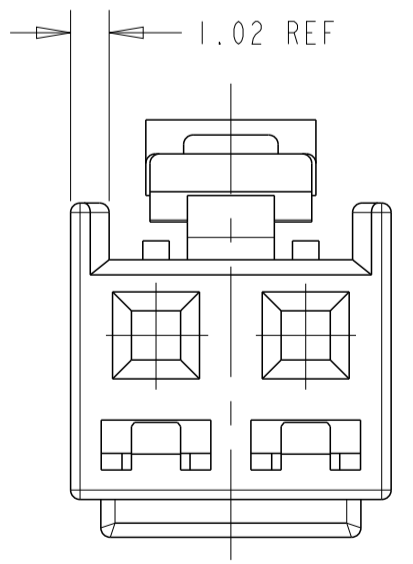
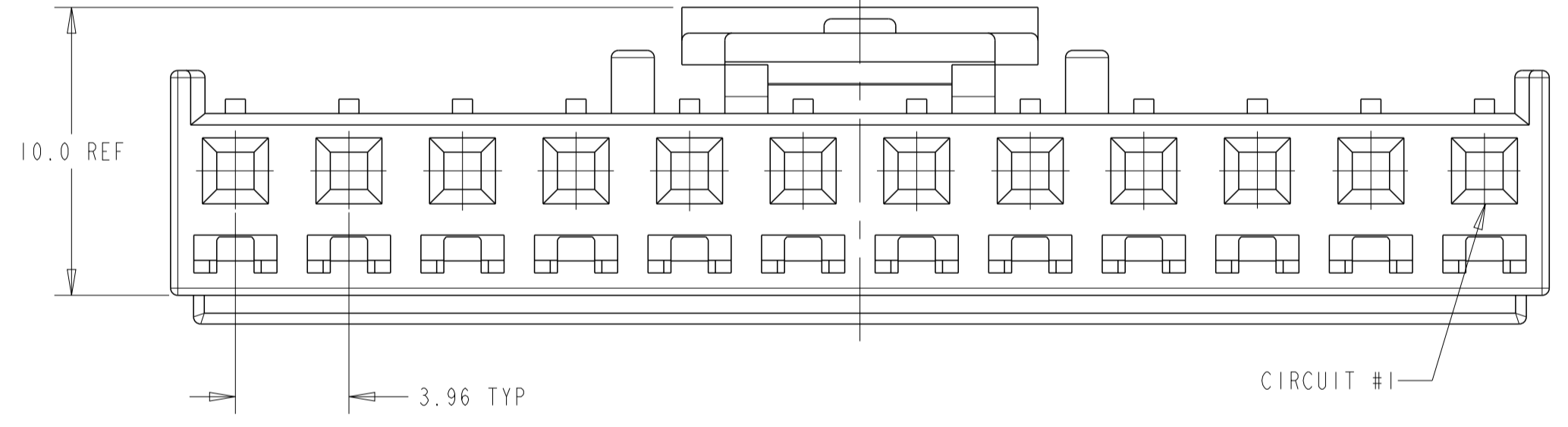
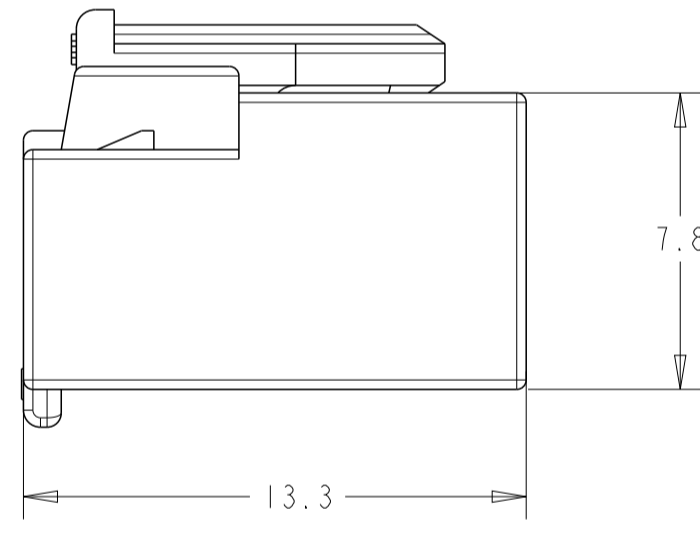
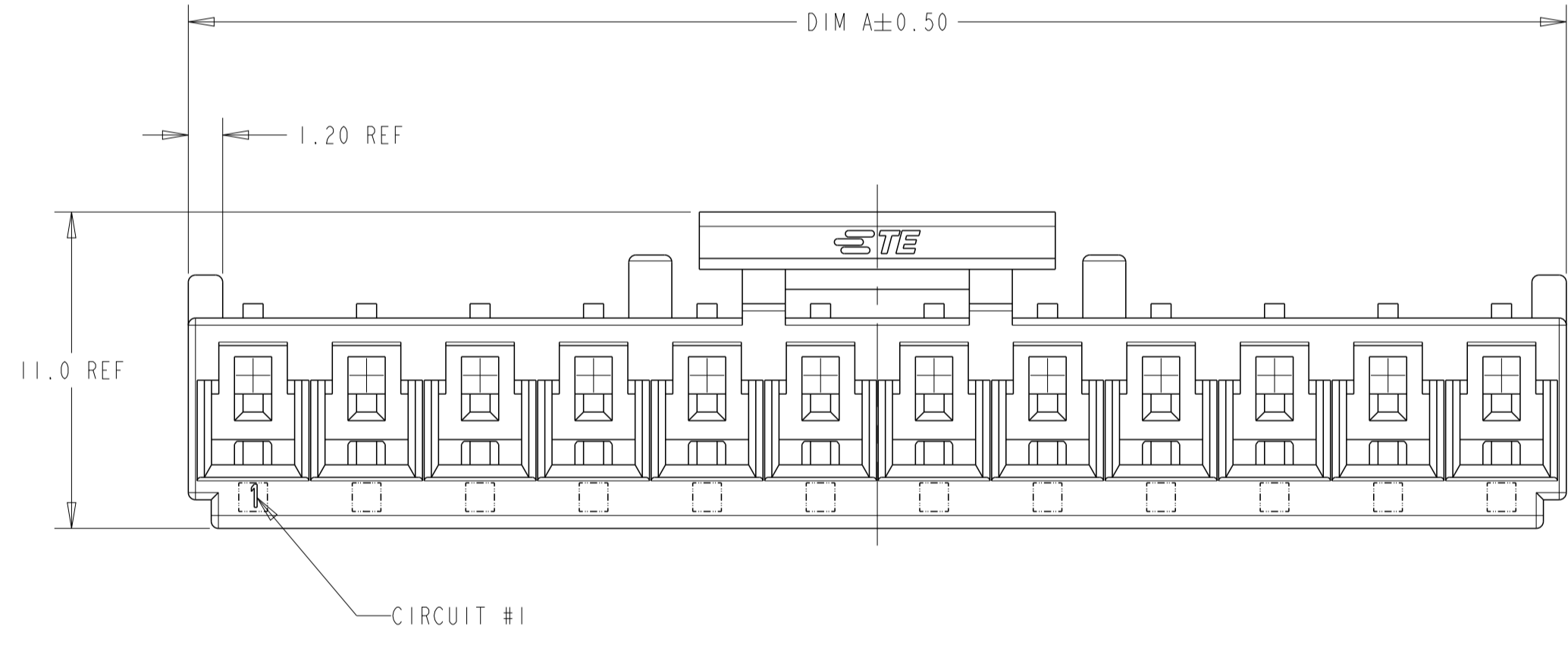


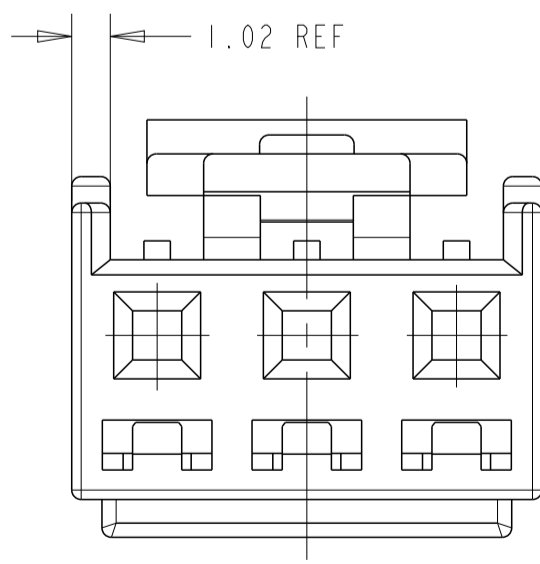
REVISIONS				
P	LTN	DESCRIPTION	DATE	APVD
A		REVISED PER ECN-21-111555	02AUG2021	W.H D.Z
A1		REVISED PER ECR-22-136618	22APR2022	WH LC



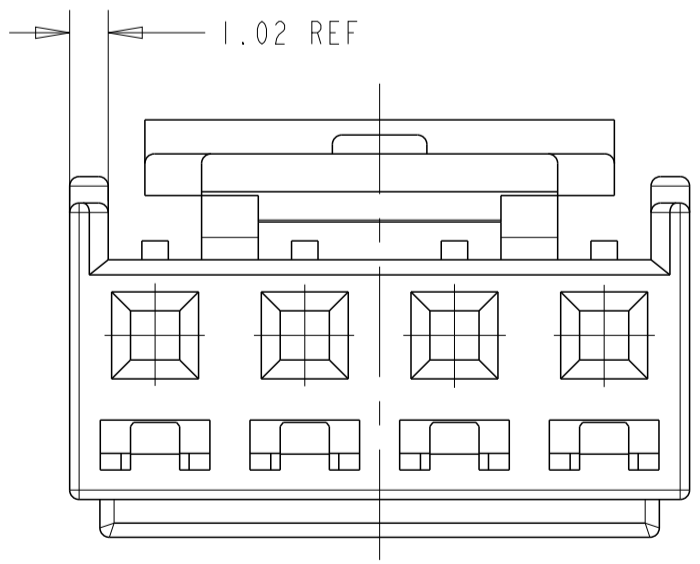
- △ MATERIAL: NYLON,UL94 V-0, COLOR: NATURAL
- DIMENSIONS SHOWN REPRESENT PRODUCT IN DRY, AS MOLDED, CONDITION. ADDITIONAL 2% GROWTH DUE TO SUBSEQUENT MOISTURE ABSORPTION MAY OCCUR AND SHOULD BE ACCOUNTED FOR.
 - THE HOUSING ACCEPTS TERMINALS: 2377991-1 OR 2377997-1
 - RECOMMENDED MATING PARTS: []-2375239-[] OR []-2384269-[]
 - ACCEPT OPTIONAL TPA: 1-2132782-2 OR []-1744544-[]
 - PER IEC 60335-1 SECT. 30, GWEPT 750C, NO FLAME OR Te-Ti≤2S
 - PACKAGING: LOOSE PIECE.



FRONT VIEW (2 POSITION SHOWN)



FRONT VIEW (3 POSITION SHOWN)



FRONT VIEW (4 POSITION SHOWN)

12.42	48.08	12	1-2371377-2
8.46	44.12	11	1-2371377-1
12.42	40.16	10	1-2371377-0
8.46	36.20	9	2371377-9
12.42	32.24	8	2371377-8
8.46	28.28	7	2371377-7
12.42	24.32	6	2371377-6
8.46	20.36	5	2371377-5
12.42	16.40	4	2371377-4
8.46	12.44	3	2371377-3
4.50	8.48	2	2371377-2
DIM F	DIM A	NO OF POSITION	PART NUMBER

THIS DRAWING IS A CONTROLLED DOCUMENT.

DIMENSIONS:	TOLERANCES UNLESS OTHERWISE SPECIFIED:	DWN: W. HUO 01JUN2021	CHK: D. ZHANG 03JUN2021
mm	0 PLC ±0.4	APVD: D. ZHANG 03JUN2021	
	1 PLC ±0.25	PRODUCT SPEC	
	2 PLC ±0.25	APPLICATION SPEC	
	3 PLC ±0.25	SIZE	114-13265
	4 PLC ±0.25	CAGE CODE	00779
	ANGLES ±°	DRAWING NO	2371377
MATERIAL	FINISH	WEIGHT	

TE Connectivity

RECEPTACLE HOUSING, GWT, SINGLE ROW, ECONOMY POWER II

CUSTOMER DRAWING SCALE N/A SHEET 1 OF 1 REV A1