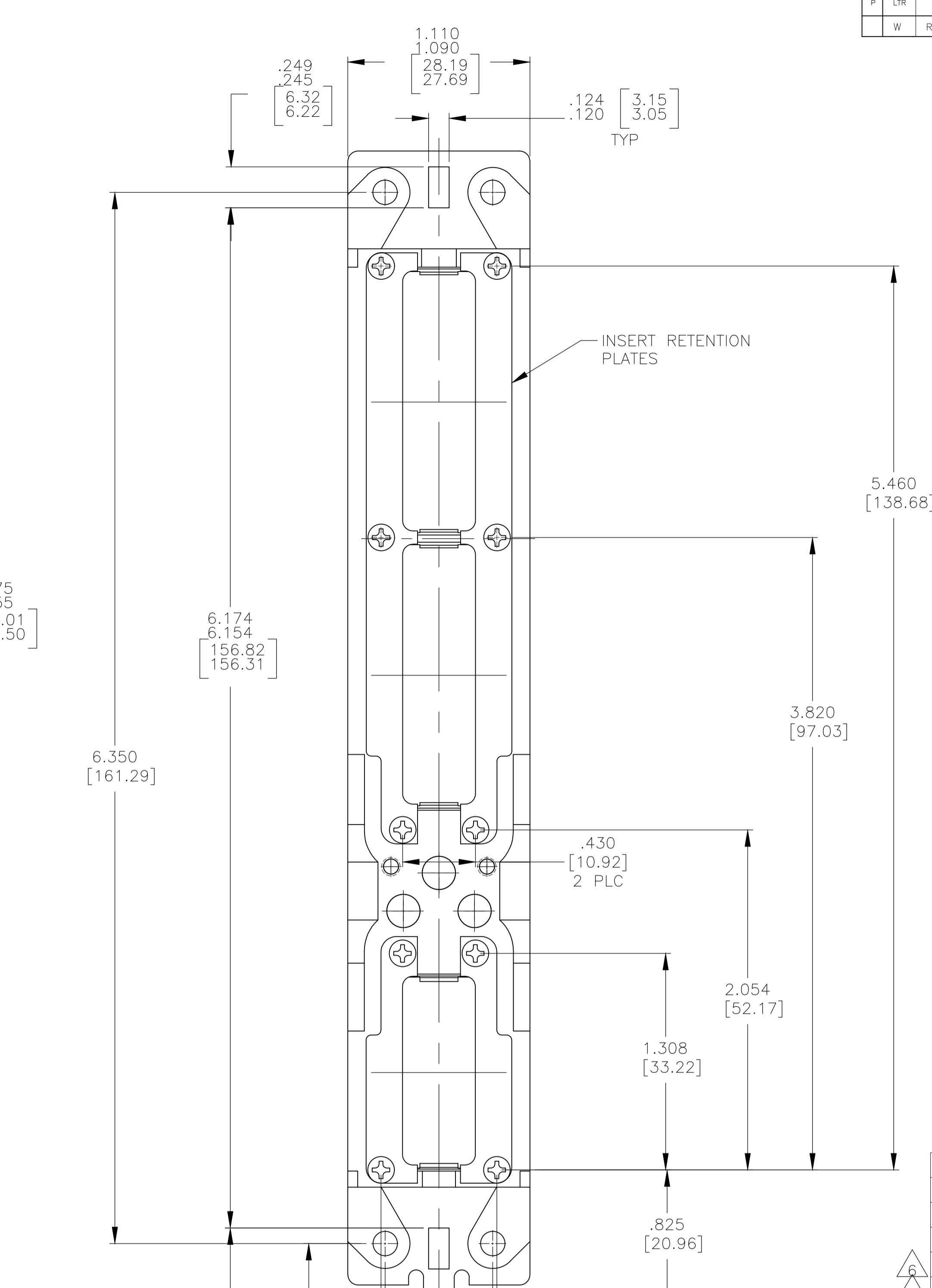
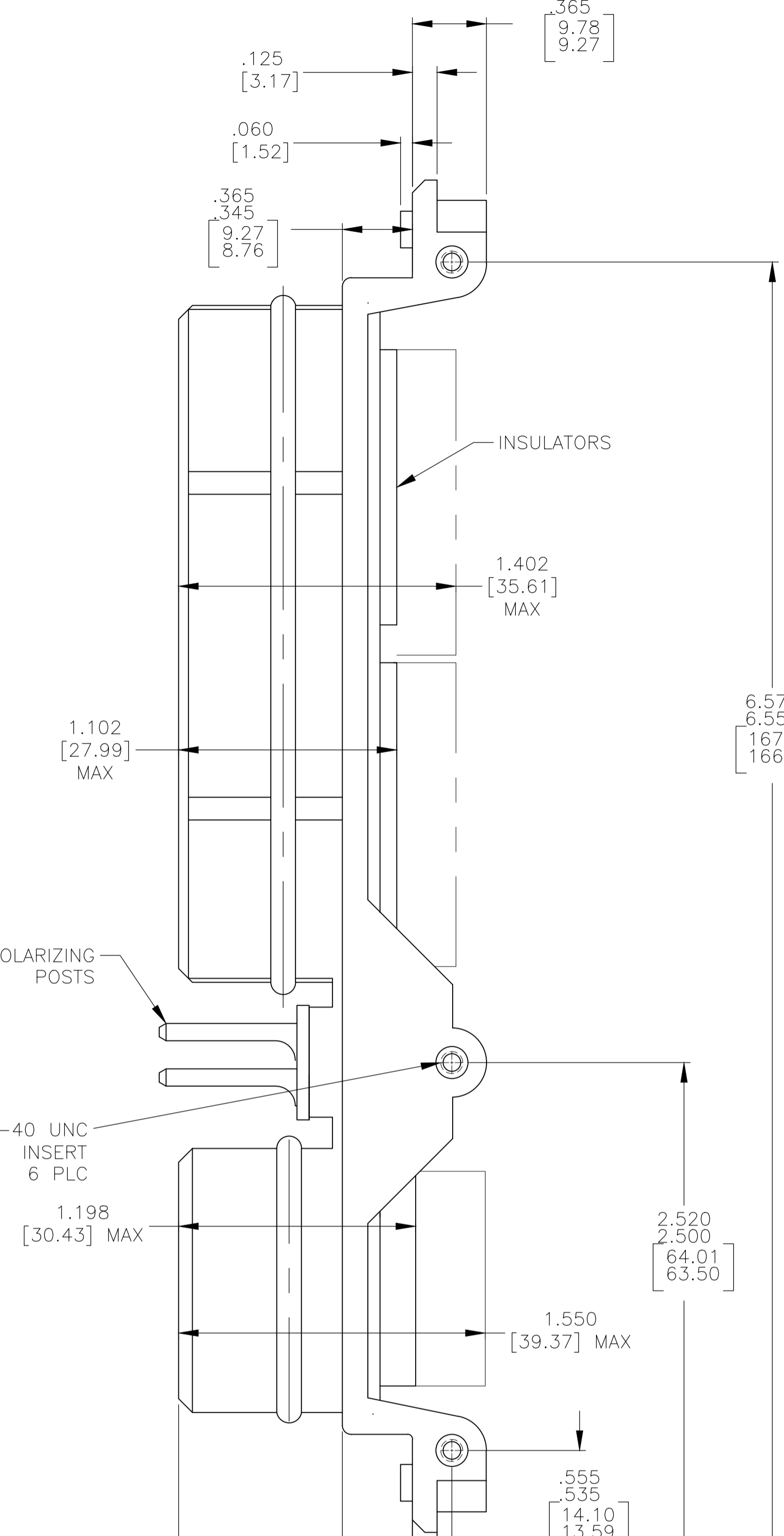
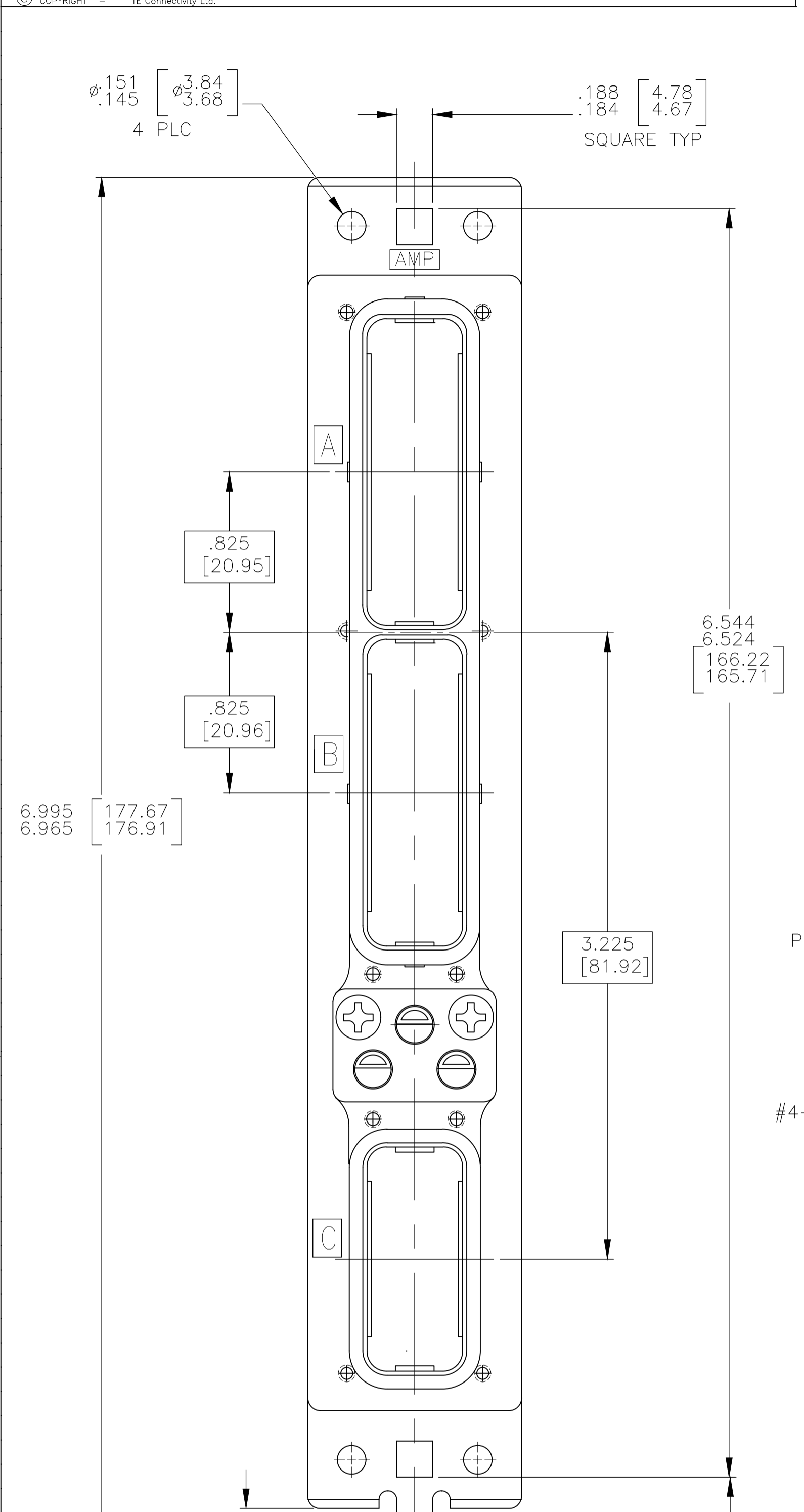


REVISIONS				
REV	DATE	BY	APP'D	DESCRIPTION
W	8-14-19	CT	RL	REVISED PER ECO 19-012139



- CONNECTOR DIMENSIONS ARE PER ARINC 600 SPECIFICATION
  - KEYING SHOWN IN POSITION "01" FOR REFERENCE ONLY. CONNECTOR SHIPPED WITH KEYING PER ORDERING INSTRUCTIONS. FOR POSITION "00" KEYING SHIPPED UNASSEMBLED.
  - FOR SHIPMENT CONTACTS (IF ORDERED) ARE INCLUDED IN A CONTAINER WITHIN THE CONNECTOR PACKAGE. COAX CONTACTS ARE NOT SUPPLIED AND MUST BE ORDERED SEPARATELY.
- 4 SEE RESTRICTED CUSTOMER DRAWING 208598-7
  - 5 SPECIAL WITH INSERTS 60/OPEN/5C2, STANDARD MOUNTING, NO CONTACTS
  - 6 PRELIMINARY, NOT RELEASED FOR PRODUCTION
  - 7 FINISH OF SHELLS AND RETENTION PLATES IS ELECTROLESS NICKEL PER MIL-C-26074, CLASS 3 OR 4, GRADE B (5--2 ONLY)
  - 8 OBSOLETE PART NUMBER.

COMPONENT	MATERIAL	FINISH
SHELL	DIE CAST ALUMINUM PER ASTM-B-85	7 CHROMATE CONVERSION PER MIL-C-5541, TYPE II, CLASS 3
RETENTION PLATES	ALUMINUM ALLOY PER ASTM-B-209	7 CHROMATE CONVERSION PER MIL-C-5541, TYPE II, CLASS 3
SCREWS	STEEL OR STAINLESS STEEL	STAINLESS STEEL OR PASSIVATED
POLARIZING POSTS	ZINC ALLOY PER ASTM-B-86	ELECTROLESS NICKEL PER MIL-C-26074, CLASS 4, GRADE B
INSERTS	THERMOSET	-
FILLER PLUG (IF ORDERED)	TEFLON	-
POLARIZING POST RETAINING PLATE	ALUMINUM ALLOY PER ASTM-B-209	BLUE ANODIZED PER MIL-A-8625

THIS DRAWING IS A CONTROLLED DOCUMENT.

DIMENSIONS: INCHES	TOLERANCES UNLESS OTHERWISE SPECIFIED:
0 PLC ± -	1 PLC ± -
2 PLC ± -	3 PLC ± .005 [0.13]
4 PLC ± -	ANGLES ± 0°30'

DIN C.C.THOMAS 11-20-04	REV R GROSS 4-11-05	NAME	PLUG ASSY, SIZE 1, SEALED CLASS B, PLUG, ARINC 600
APPRO R GROSS 4-11-05	APPLICATION SPEC	SIZE	A1
WEIGHT	00779	DRAWING NO	208598
CUSTOMER DRAWING	SCALE 2:1	SHEET 1 OF 1	REV W

DESCRIPTIVE NUMBER	PART NUMBER
7	5-208598-2
NIC66F11B44AA0	1-208598-7
NIC66F11C22AA0	1-208598-6
NIC66F11C08CBO	1-208598-5
NIC66F11C07CBO	1-208598-4
5	1-208598-3
NIC66F11C00AA1	1-208598-2
SPECIAL	1-208598-1
SPECIAL	208598-0
SPECIAL	208598-9
SPECIAL	208598-8
4	208598-7
SPECIAL	208598-6
SPECIAL	208598-5
NIC66F11B22AA1	208598-4
NIC66F11C01AA1	208598-3
NIC66F11B01AA1	208598-2
NIC66F11B01AA0	208598-1