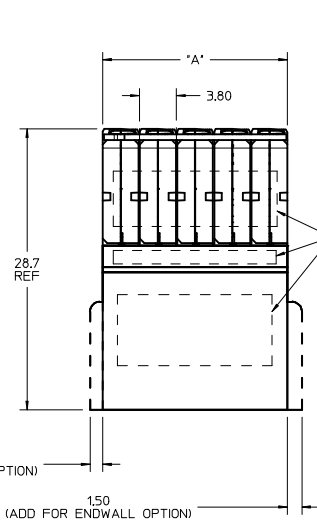


| MATERIAL NUMBER | # OF COLUMNS | # OF DIFF PAIR | DIM 'A' MAX | DIM 'B' MAX | PTH ϕ |
|-----------------|--------------|----------------|-------------|-------------|------------|
| 170510-18** | 8 | 24 | 15.20 | 13.30 | 0.46+0.05 |
| 170510-11** | 10 | 30 | 19.00 | 17.10 | |
| 170510-18** | 8 | 24 | 15.20 | 13.30 | 0.39+0.05 |
| 170510-11** | 10 | 30 | 19.00 | 17.10 | |

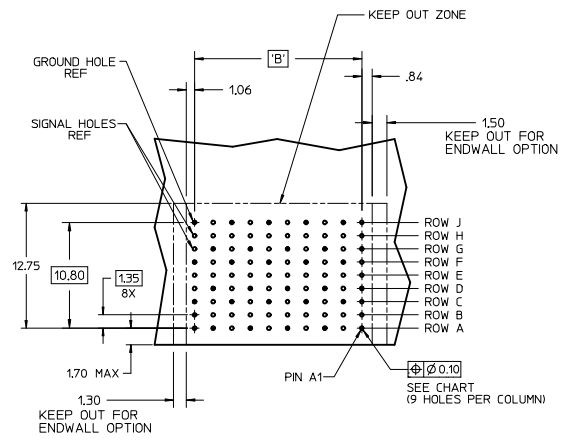
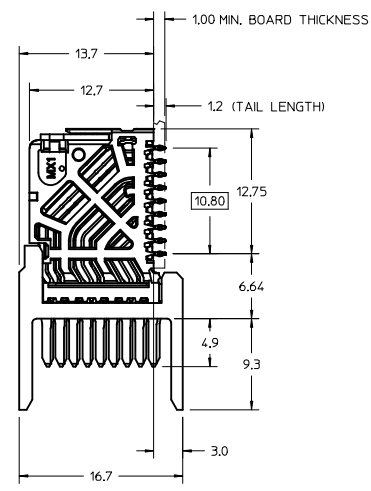
170510-1***

- MODULE TYPE
1 = UNGUIDED, LEAD-FREE
- PIN LENGTH (P)
4 = 4.90 (0.46 PTH)
5 = 5.50 (0.46 PTH)
7 = 4.90 (0.39 PTH)
8 = 5.50 (0.39 PTH)
- # OF COLUMNS
1 = 10 COLUMNS
8 = 8 COLUMNS
- END WALL OPTIONS
0 = OPEN ENDS
1 = LEFT ENDWALL
2 = DUAL ENDWALL
3 = RIGHT ENDWALL

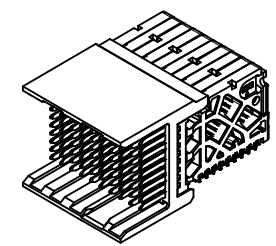
- NOTES:
- MATERIALS: HOUSING - LIQUID CRYSTAL POLYMER (LCP), GLASS-FILLED, UL94V-0
TERMINALS - HIGH PERFORMANCE COPPER ALLOY
SELECTIVE TIN ON PCB TAILS, NICKEL OVERALL.
 - FINISH: 304M SELECTIVE GOLD IN CONTACT AREA.
 - REFER TO MOLEX PRODUCT SPECIFICATION PS-170540-999 FOR PERFORMANCE SPECIFICATIONS AND ADDITIONAL PCB INFORMATION.
 - EACH SIGNAL WAFER CONTAINS 2 COLUMNS OF TERMINALS.
 - PRODUCT IS PACKAGED PER PK-70873-041.
 - THIS PART CONFORMS TO CLASS B REQUIREMENTS OF COSMETIC SPEC PS-45499-002.
 - REFER TO MOLEX SALES DRAWING SD-170340-001 FOR THE MATING RECEPTACLES.
 - REFER TO MOLEX PCB ROUTING GUIDE AS-76060-990 FOR ANTIPAD AND ROUTING RECOMMENDATIONS.
 - GROUND PATHS ARE NOT DISCRETE CIRCUITS.
 - MARKING: LOCATED APPROXIMATELY AS SHOWN, PART NUMBER AND DATE CODE.



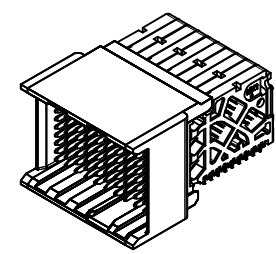
SEE NOTE 10



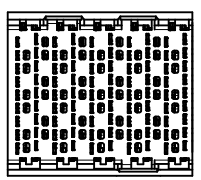
RAM HOLE PATTERN (CONNECTOR SIDE)



OPEN END OPTION

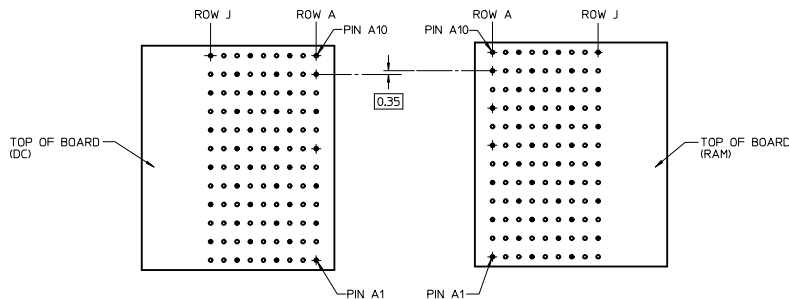


DUAL WALL OPTION



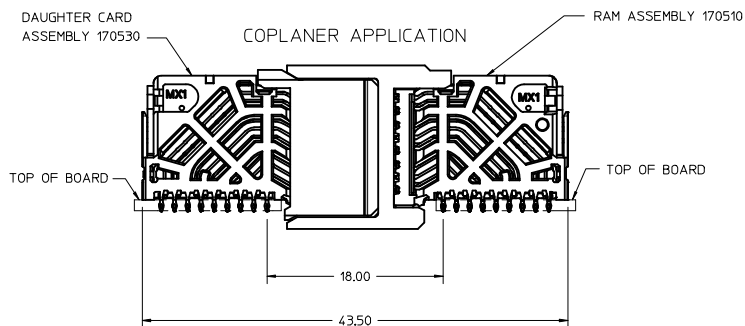
| | | | | | | |
|---|---------------------|---------------------------------------|--|------------------------|---|--|
| REV'D 12, 14, 16-COL OPTIONS IEC NO. UICP2017-2489 DRAWN BY: DRWNSVARVARA CHKD: APPR:TELO DATE: 2017/05/17 DATE: 2017/05/12 | QUALITY SYMBOLS | GENERAL TOLERANCES (UNLESS SPECIFIED) | DIMENSION STYLE | SCALE | DESIGN UNITS | THIRD ANGLE PROJECTION |
| | ▽=0 | 4 PLACES ± mm ± INCH | MM ONLY | 4:1 | METRIC | ☉ |
| | ▽=0 | 3 PLACES ± 0.13 ± --- | DRAWN BY: MKRAUSE | DATE: 2013/05/31 | TITLE | IMPACT 3P 85 OHM RAM SIGNAL MODULE ASSEMBLY UNGUIDED SALES DRAWING molex |
| | ▽=0 | 2 PLACES ± 0.25 ± --- | CHECKED BY: TELO | DATE: 2016/02/22 | APPROVED BY: TELO | |
| | 1 PLACE ± --- ± --- | 0 PLACE ± --- ± --- | ANGULAR ±1/2° | MATERIAL NO. SEE CHART | DOCUMENT NO. SD-170510-0002 | SHEET NO. 1 OF 2 |
| | | | DRAFT WHERE APPLICABLE MUST REMAIN WITHIN DIMENSIONS | SIZE D | THIS DRAWING CONTAINS INFORMATION THAT IS PROPRIETARY TO MOLEX INCORPORATED AND SHOULD NOT BE USED WITHOUT WRITTEN PERMISSION | |

20 19 18 17 16 15 14 13 12 11 10 9 8 7 6 5 4 3 2 1



COPLANAR MATED SIGNAL PATHS

DC PIN A10-----RAM PIN A10
 DC PIN A1-----RAM PIN A1



| | | | | | | | |
|---|--------------------------------------|---|----------------------------|---|------------------------|------------------------|--|
| SEE SHEET 1 IEC NO: UCF2017-2489 DRAWN: VARARA CHKD: APPR: TELO REY: | QUALITY SYMBOLS ▽=0 ▽=0 ▽=0 | GENERAL TOLERANCES (UNLESS SPECIFIED) mm INCH 4 PLACES ± --- ± --- 3 PLACES ± --- ± --- 2 PLACES ± 0.13 ± --- 1 PLACE ± 0.25 ± --- 0 PLACE ± --- ± --- ANGULAR ±1/2° DRAFT WHERE APPLICABLE MUST REMAIN WITHIN DIMENSIONS | DIMENSION STYLE MM ONLY | SCALE 4:1 | DESIGN UNITS METRIC | THIRD ANGLE PROJECTION | |
| | DRAWN BY MKRAUSE | DATE 2013/05/31 | CHECKED BY TELO | DATE 2016/02/22 | APPROVED BY TELO | DATE 2014/03/13 | TITLE IMPACT 3P 85 OHM RAM SIGNAL MODULE ASSEMBLY UNGUIDED SALES DRAWING molex |
| | MATERIAL NO. SEE CHART | DOCUMENT NO. SD-170510-0002 | SHEET NO. 2 OF 2 | THIS DRAWING CONTAINS INFORMATION THAT IS PROPRIETARY TO MOLEX INCORPORATED AND SHOULD NOT BE USED WITHOUT WRITTEN PERMISSION | | | |
| | SIZE D | | | | | | |

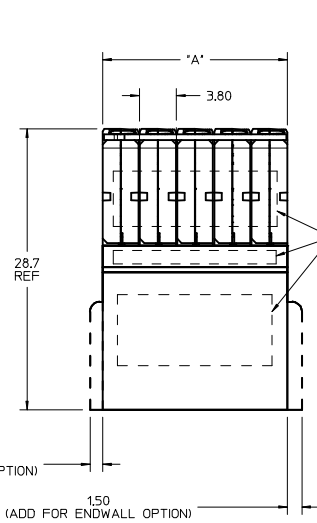
19 18 17 16 15 14 13 12 11 10 9 8 7 6 5 4 3 2 1

| MATERIAL NUMBER | # OF COLUMNS | # OF DIFF PAIR | DIM 'A' MAX | DIM 'B' MAX | PTH ϕ |
|-----------------|--------------|----------------|-------------|-------------|------------|
| 170510-18** | 8 | 24 | 15.20 | 13.30 | 0.46+0.05 |
| 170510-11** | 10 | 30 | 19.00 | 17.10 | |
| 170510-18** | 8 | 24 | 15.20 | 13.30 | 0.39+0.05 |
| 170510-11** | 10 | 30 | 19.00 | 17.10 | |

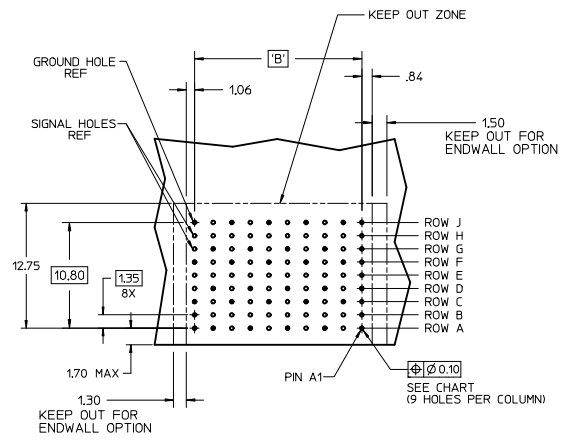
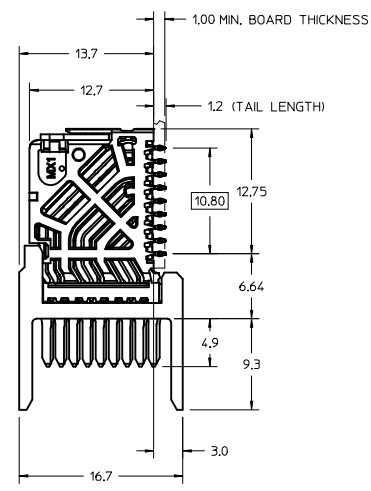
170510-1***

- MODULE TYPE
1 = UNGUIDED, LEAD-FREE
- # OF COLUMNS
1 = 10 COLUMNS
8 = 8 COLUMNS
- PIN LENGTH (P)
4 = 4.90 (0.46 PTH)
5 = 5.50 (0.46 PTH)
7 = 4.90 (0.39 PTH)
8 = 5.50 (0.39 PTH)
- END WALL OPTIONS
0 = OPEN ENDS
1 = LEFT ENDWALL
2 = DUAL ENDWALL
3 = RIGHT ENDWALL

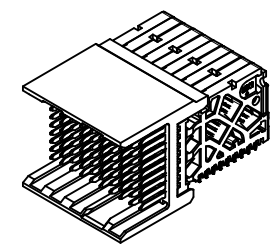
- NOTES:
- MATERIALS: HOUSING - LIQUID CRYSTAL POLYMER (LCP), GLASS-FILLED, UL94V-0
TERMINALS - HIGH PERFORMANCE COPPER ALLOY
SELECTIVE TIN ON PCB TAILS, NICKEL OVERALL.
 - FINISH: 304M SELECTIVE GOLD IN CONTACT AREA.
 - REFER TO MOLEX PRODUCT SPECIFICATION PS-170540-999 FOR PERFORMANCE SPECIFICATIONS AND ADDITIONAL PCB INFORMATION.
 - EACH SIGNAL WAFER CONTAINS 2 COLUMNS OF TERMINALS.
 - PRODUCT IS PACKAGED PER PK-70873-041.
 - THIS PART CONFORMS TO CLASS B REQUIREMENTS OF COSMETIC SPEC PS-45499-002.
 - REFER TO MOLEX SALES DRAWING SD-170340-001 FOR THE MATING RECEPTACLES.
 - REFER TO MOLEX PCB ROUTING GUIDE AS-76060-990 FOR ANTIPAD AND ROUTING RECOMMENDATIONS.
 - GROUND PATHS ARE NOT DISCRETE CIRCUITS.
 - MARKING: LOCATED APPROXIMATELY AS SHOWN, PART NUMBER AND DATE CODE.



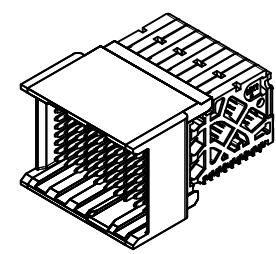
SEE NOTE 10



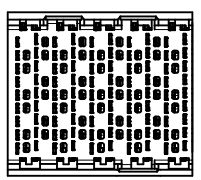
RAM HOLE PATTERN (CONNECTOR SIDE)



OPEN END OPTION

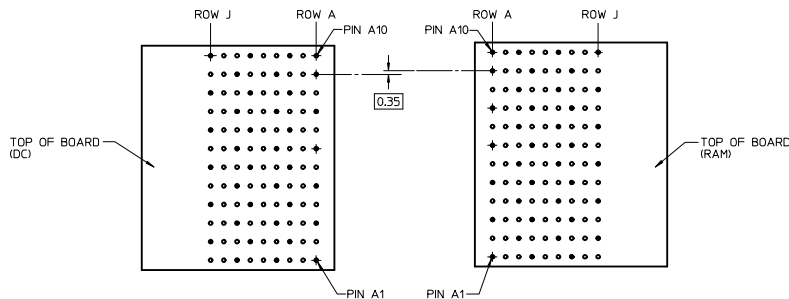


DUAL WALL OPTION



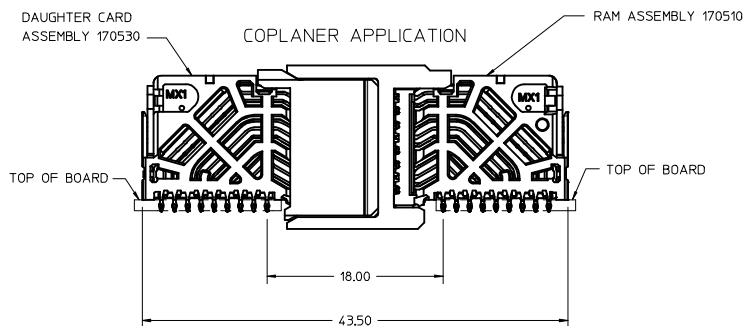
| | | | | | | |
|--|---|--|----------------------------------|--|-----------------------------|------------------------|
| REV'D 12, 14, 16-COL OPTIONS IEC NO. UCF2017-2489 DRAWN BY: DRWNSVARVARA CHKD: APPR:TELO DATE: 2017/05/17 DATE: 2017/05/12 | QUALITY SYMBOLS | GENERAL TOLERANCES (UNLESS SPECIFIED) | DIMENSION STYLE | SCALE | DESIGN UNITS | THIRD ANGLE PROJECTION |
| | $\nabla=0$ $\nabla=0$ $\nabla=0$ | 4 PLACES ± mm ± INCH 3 PLACES ± --- ± --- 2 PLACES ± 0.13 ± --- 1 PLACE ± 0.25 ± --- 0 PLACE ± --- ± --- | MM ONLY | 4:1 | METRIC | |
| | DRAWN BY: MKRAUSE CHECKED BY: TELO APPROVED BY: TELO DATE: 2013/05/31 DATE: 2016/02/22 DATE: 2014/03/13 | ANGULAR ±1/2° DRAFT WHERE APPLICABLE MUST REMAIN WITHIN DIMENSIONS | MATERIAL NO. SEE CHART SIZE D | TITLE: IMPACT 3P 85 OHM RAM SIGNAL MODULE ASSEMBLY UNGUIDED SALES DRAWING molex | DOCUMENT NO. SD-170510-0002 | SHEET NO. 1 OF 2 |
| | THIS DRAWING CONTAINS INFORMATION THAT IS PROPRIETARY TO MOLEX INCORPORATED AND SHOULD NOT BE USED WITHOUT WRITTEN PERMISSION | | | | | |

20 19 18 17 16 15 14 13 12 11 10 9 8 7 6 5 4 3 2 1



COPLANAR MATED SIGNAL PATHS

DC PIN A10-----RAM PIN A10
 DC PIN A1-----RAM PIN A1



| | | | | | | |
|---|-----------------------|---------------------------------------|-----------------|---|---|------------------------|
| SEE SHEET 1 IEC NO: UCF2017-2489 DRAWN: VARARA CHKD: APPR: TELO 2017/05/17 2017/05/12 | QUALITY SYMBOLS | GENERAL TOLERANCES (UNLESS SPECIFIED) | DIMENSION STYLE | SCALE | DESIGN UNITS | THIRD ANGLE PROJECTION |
| | ▽=0 | mm INCH | MM ONLY | 4:1 | METRIC | |
| | ▽=0 | 4 PLACES ± --- ± --- | DRAWN BY | DATE | TITLE | |
| | ▽=0 | 3 PLACES ± --- ± --- | MKRAUSE | 2013/05/31 | IMPACT 3P 85 OHM RAM SIGNAL MODULE ASSEMBLY | |
| | 2 PLACES ± 0.13 ± --- | CHECKED BY | DATE | UNGUIDED SALES DRAWING | | |
| | 1 PLACE ± 0.25 ± --- | APPROVED BY | DATE | molex | | |
| | 0 PLACE ± --- ± --- | TELO | 2014/03/13 | DOCUMENT NO. | | SHEET NO. |
| | ANGULAR ±1/2° | MATERIAL NO. | | SD-170510-0002 | | 2 OF 2 |
| DRAFT WHERE APPLICABLE MUST REMAIN WITHIN DIMENSIONS | | SEE CHART | | THIS DRAWING CONTAINS INFORMATION THAT IS PROPRIETARY TO MOLEX INCORPORATED AND SHOULD NOT BE USED WITHOUT WRITTEN PERMISSION | | |

19 18 17 16 15 14 13 12 11 10 9 8 7 6 5 4 3 2 1