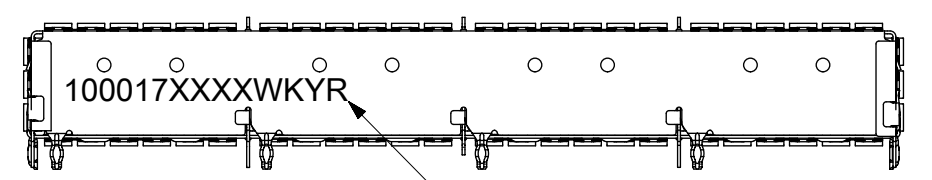
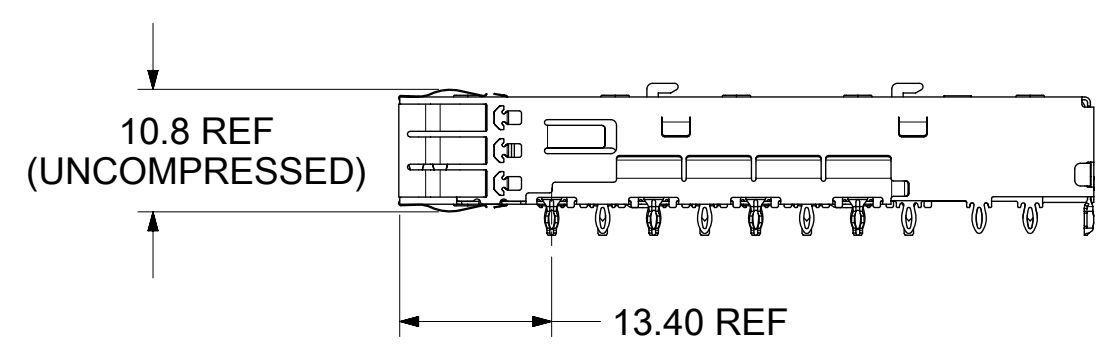
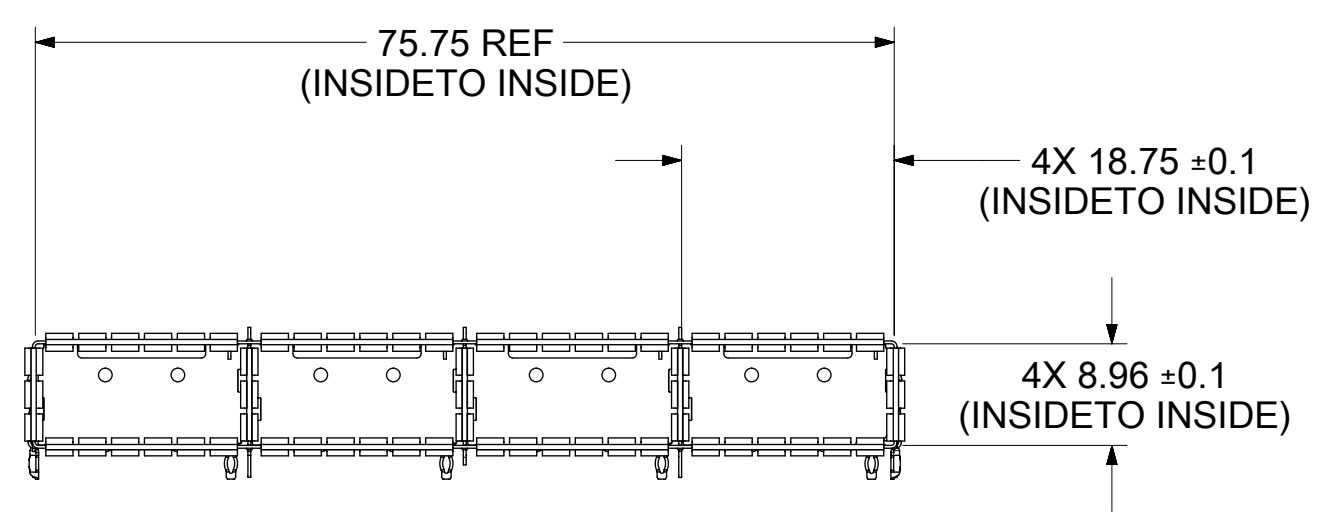
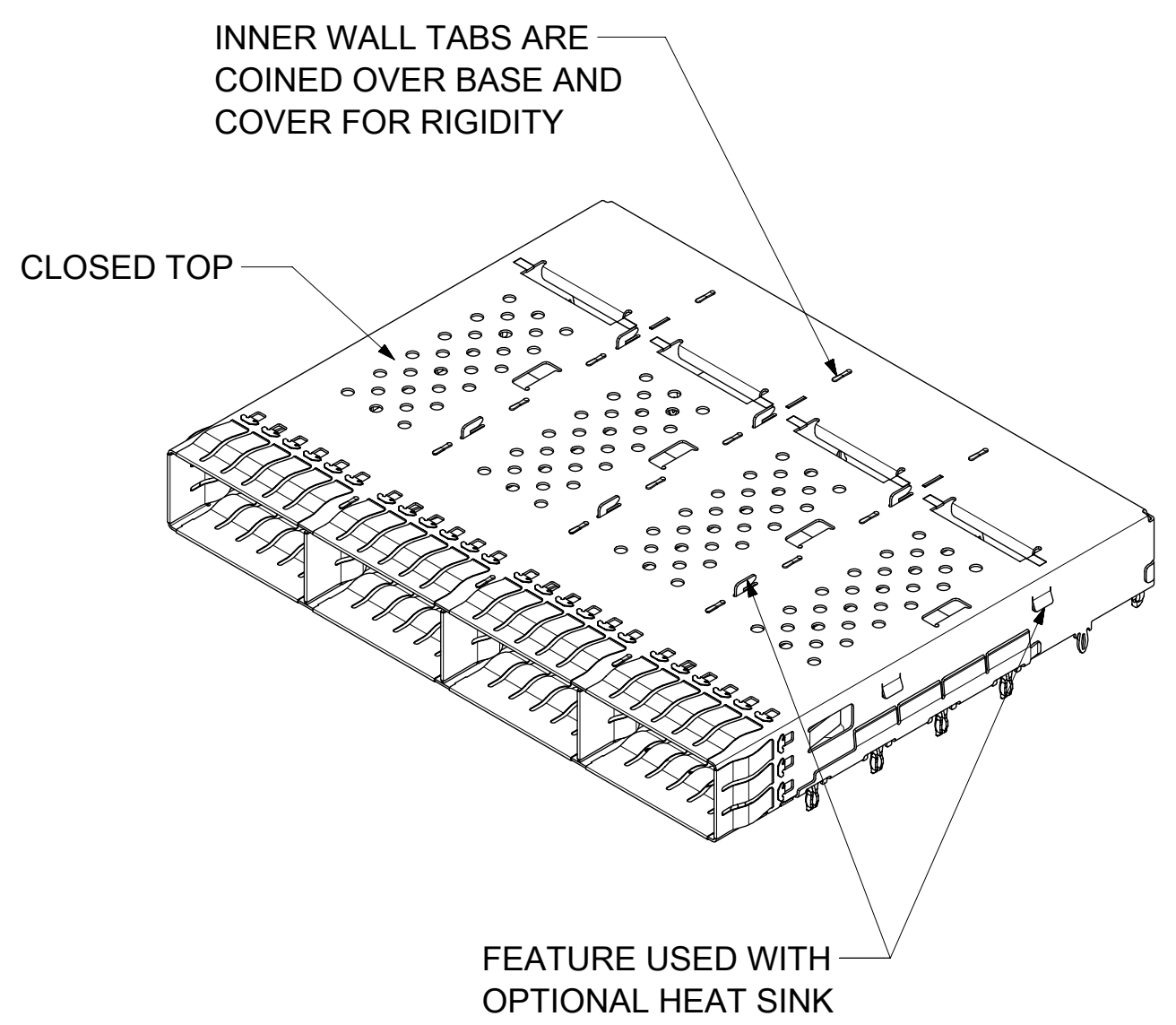
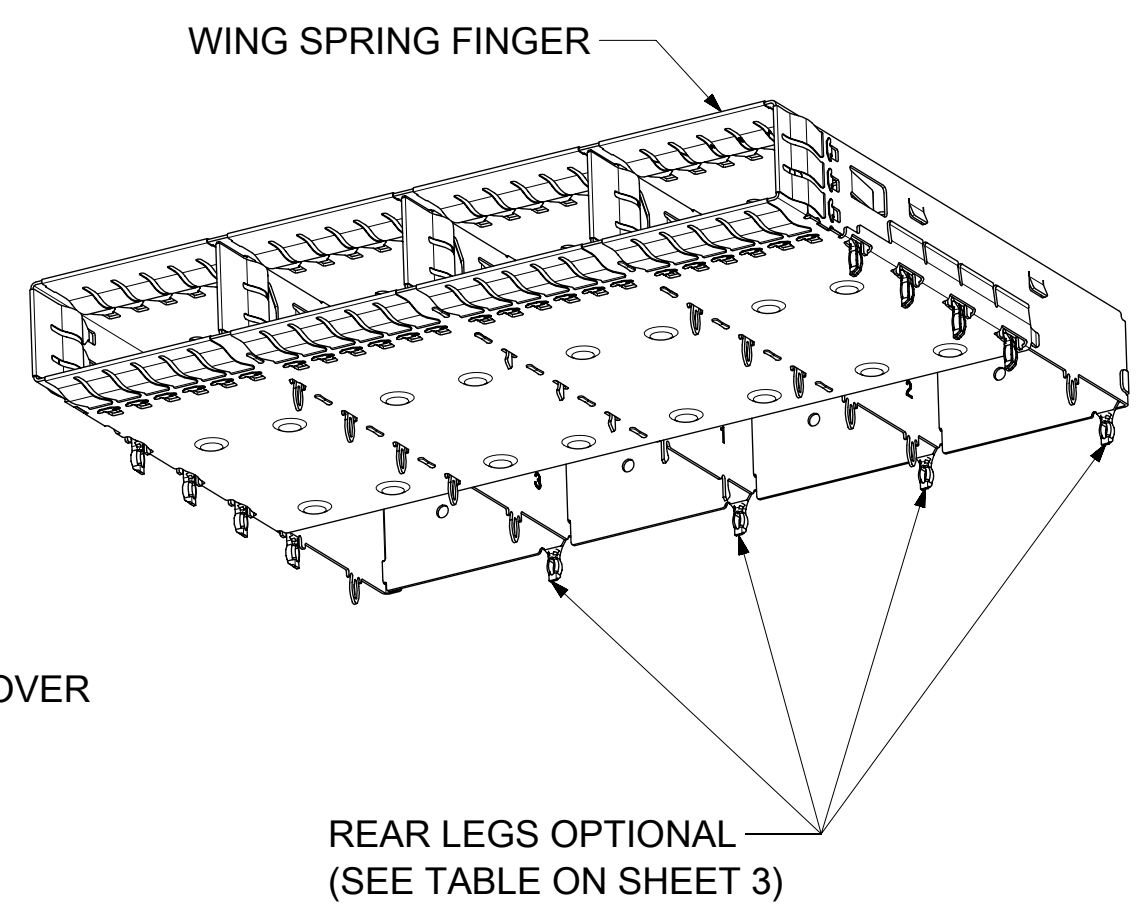
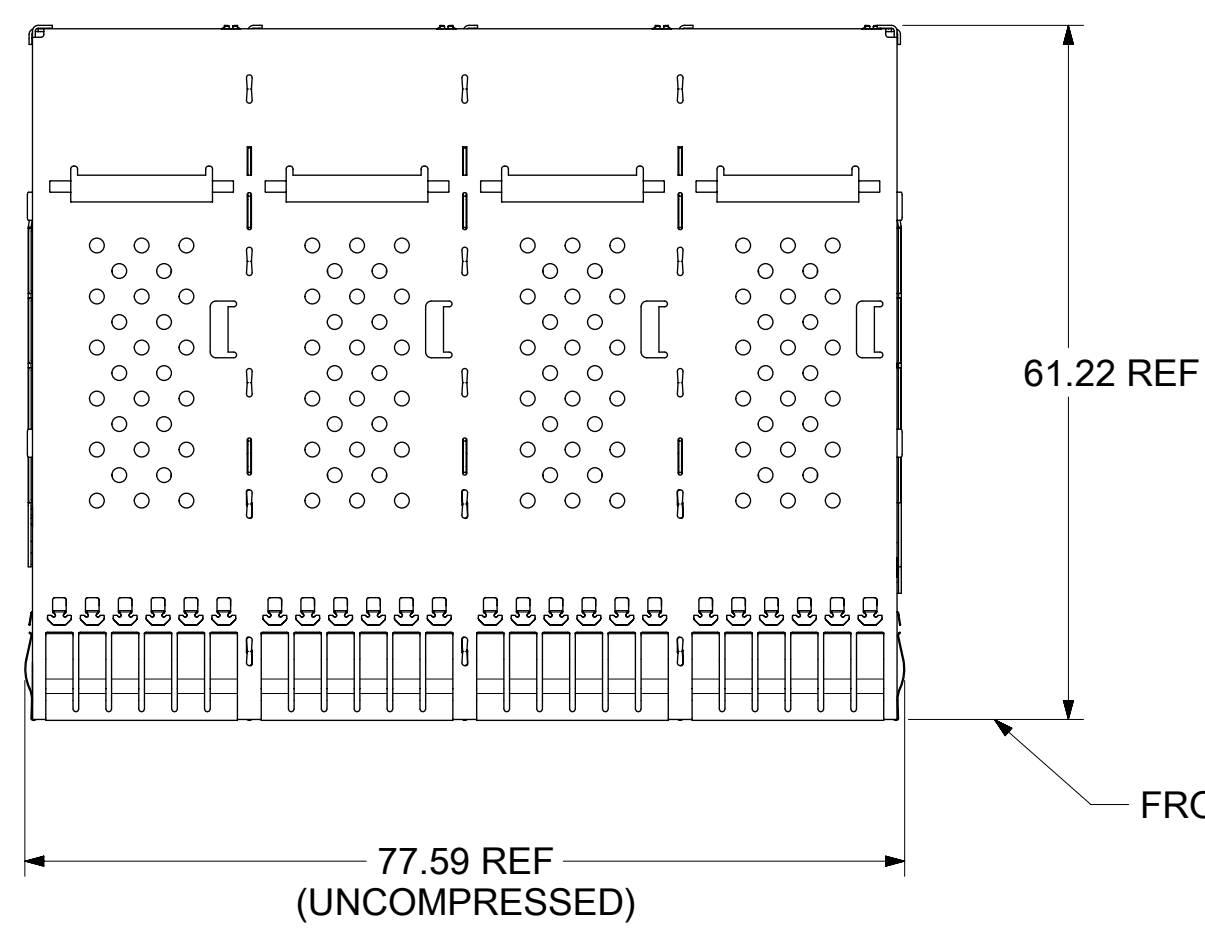


BASE CAGE DETAILS SHOWN



P/N AND WEEK/YEAR DATE CODE TO BE PRINTED ON BACK OF COMPLETED CAGE ASSEMBLY APPROXIMATELY AS SHOWN. SEE TABLE BELOW FOR DATE CODE INFORMATION

WEEK/YEAR DATE CODE TABLE

WK	WEEK OF THE YEAR 01 THRU 52 (EXAMPLE: 01= FIRST WEEK OF YEAR 52= LAST WEEK OF YEAR)
YP	16, 17, 18 ETC.. (EXAMPLE: YEAR 2016= 16)

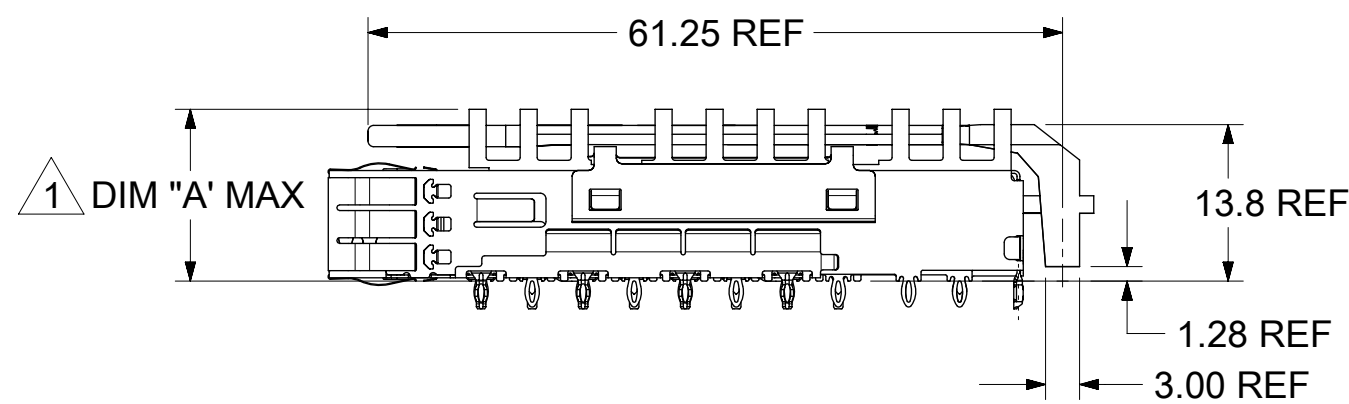
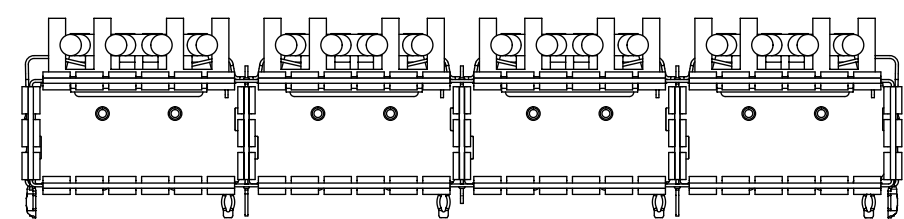
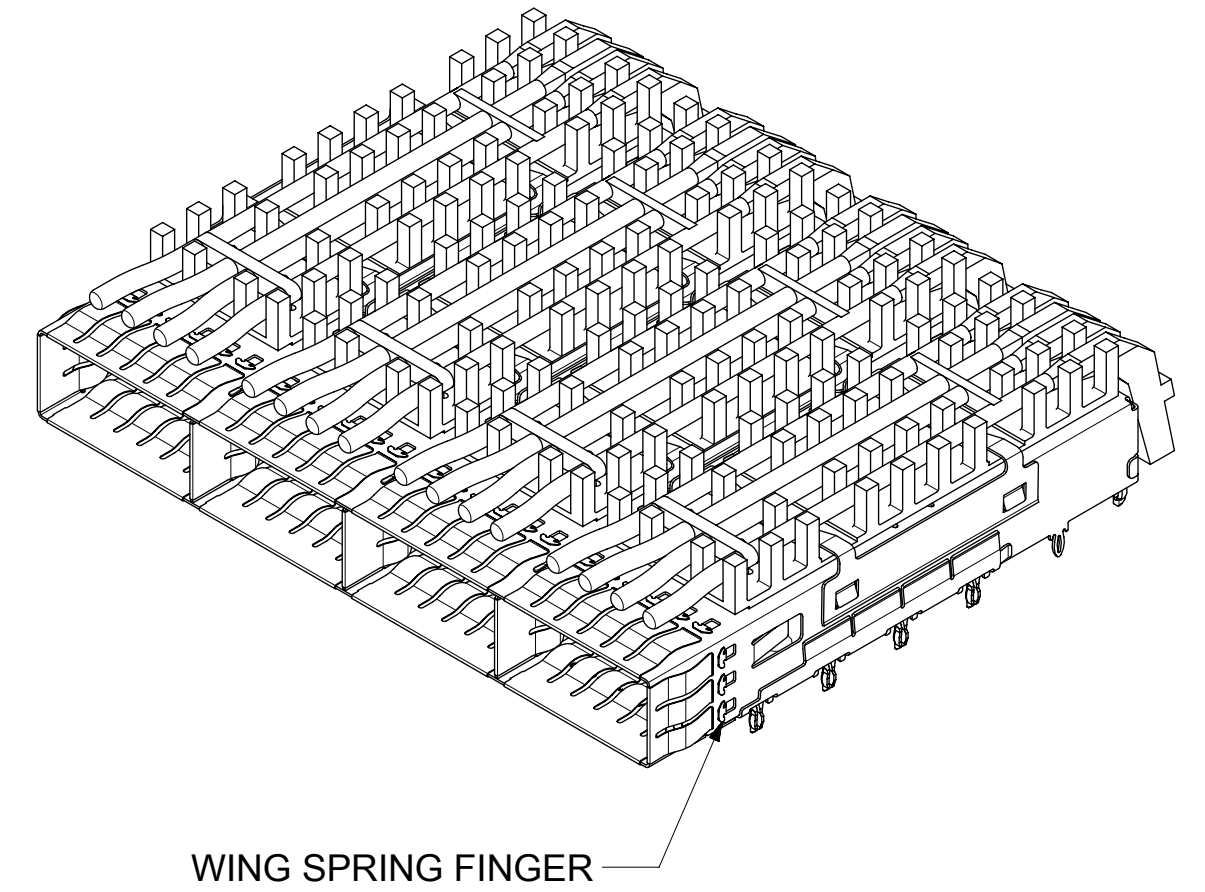
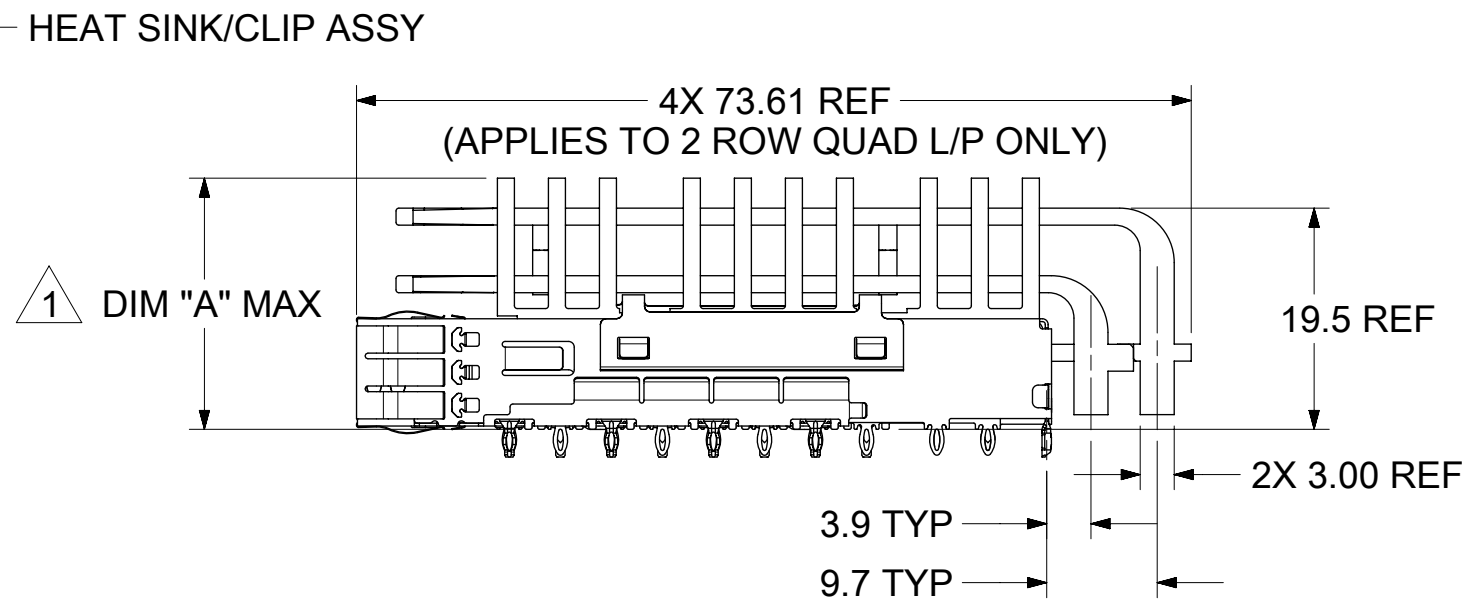
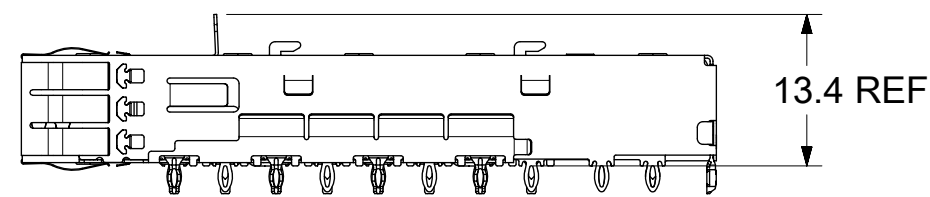
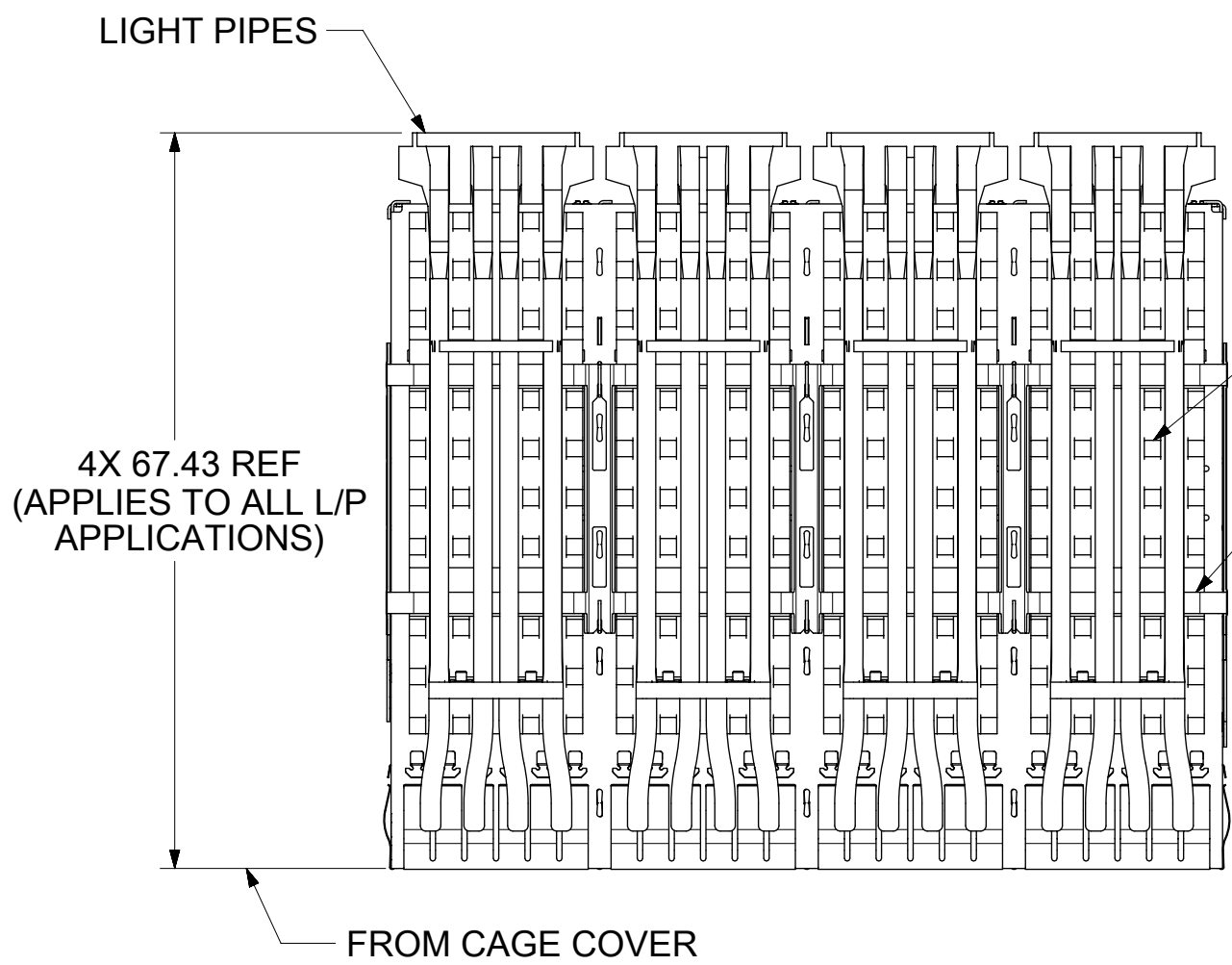
- NOTES:
- MATERIAL: CAGE: STAINLESS STEEL
 CENTER WALLS: STAINLESS STEEL
 WING SPRING FINGERS: STAINLESS STEEL
 HEAT SINKS: NICKEL PLATED ALUMINUM
 HEAT SINK CLIP: STAINLESS STEEL
 LIGHT PIPES: POLYCARBONATE (UL 94-V-0)
 - DRAWING APPLIES TO ALL P/N'S SHOWN ON PAGE 3
 - DURING FINAL INSPECTION, CAGE LEG LOCATIONS AND STRAIGHTNESS MUST BE CHECKED USING APPROPRIATE GO - NO GO GAGE
 - DURING FINAL INSPECTION, CAGE MUST BE INSPECTED TO MAKE SURE LEG CONFIGURATIONS AND PART NUMBERS ARE CORRECT, USE SHEETS 3, 4 AND 5
 - PARTS TO BE INSPECTED PER MOLEX COSMETIC SPEC WI-HP-7-2774 (CLASS B UNLESS OTHERWISE SPECIFIED)
 - PRESS-FIT LEGS 2.44 LONG -
 1.57 MINIMUM PCB THICKNESS FOR SINGLE SIDED USE.
 2.70 MINIMUM PCB THICKNESS FOR BELLY TO BELLY USE.
 - NO RoHS EXEMPTIONS

THIS DRAWING CONTAINS INFORMATION THAT IS PROPRIETARY TO MOLEX ELECTRONIC TECHNOLOGIES, LLC AND SHOULD NOT BE USED WITHOUT WRITTEN PERMISSION

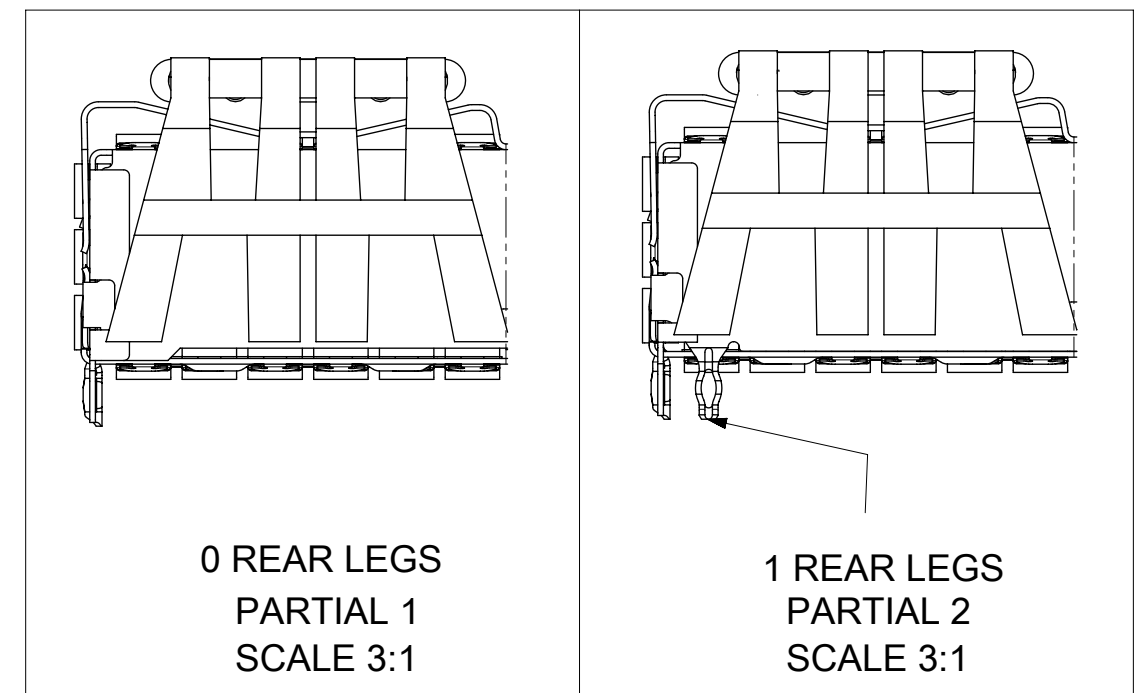
DIMENSION UNITS mm	SCALE 1.5:1	CURRENT REV DESC: REMOVED OBSOLETE PART NUMBER AS PER PCN#511691.	molex		
GENERAL TOLERANCES (UNLESS SPECIFIED)		EC NO: 737858			
ANGULAR TOL ± 2.0°	4 PLACES ±	DRWN: SANTHN 2023/02/08	PRODUCT CUSTOMER DRAWING		
3 PLACES ±	2 PLACES ± 0.13	CHK'D: GGA 2023/02/24	DOCUMENT NUMBER		
1 PLACE ± 0.25	0 PLACES ±	APPR: GGA 2023/02/24	DOC TYPE DOC PART REVISION		
DRAFT WHERE APPLICABLE MUST REMAIN WITHIN DIMENSIONS		INITIAL REVISION: DRWN: SJKG 2016/09/26 APPR: RCHEN08 2016/11/29	1000177200 PSD ASY A3		
THIRD ANGLE PROJECTION	DRAWING	SERIES	MATERIAL NUMBER	CUSTOMER	SHEET NUMBER
	C-SIZE	100017	SEE TABLE	GENERAL MARKET	1 OF 9

CAGE ASSEMBLY OPTIONS

1000177547
SHOWN



REAR LEG OPTIONS



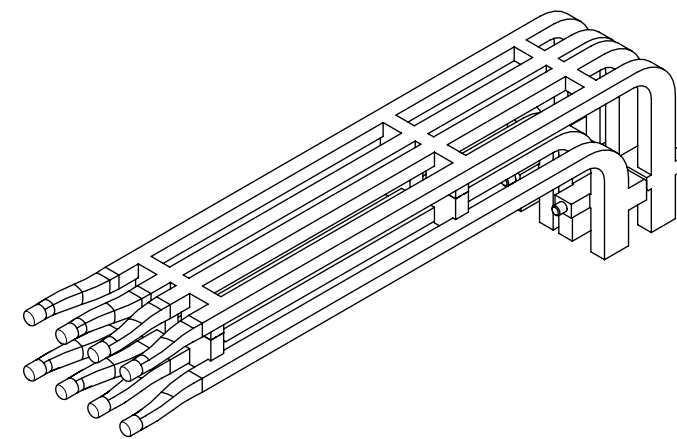
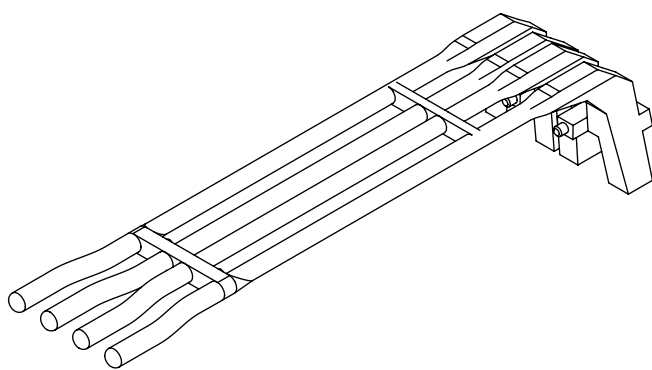
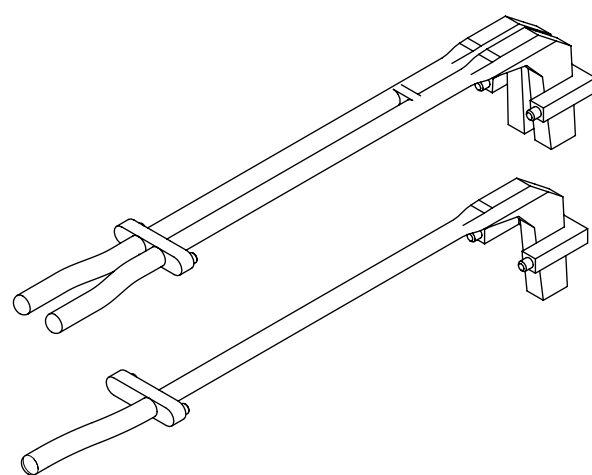
HEAT SINK AND LIGHT PIPE COMBINATIONS

HEAT SINK
USED
WITHOUT
LIGHTPIPE

SINGLE / DUAL LIGHT PIPE

QUAD LIGHT PIPE

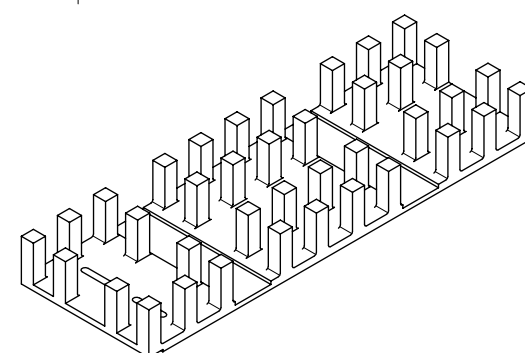
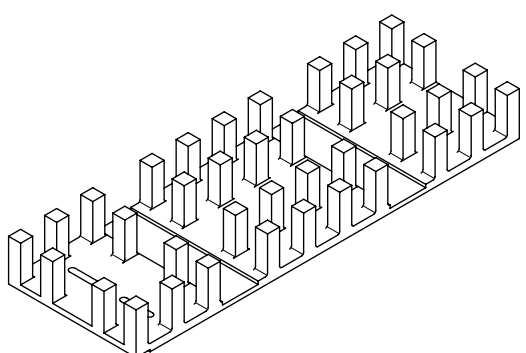
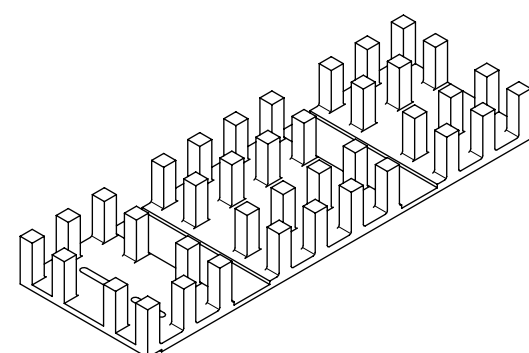
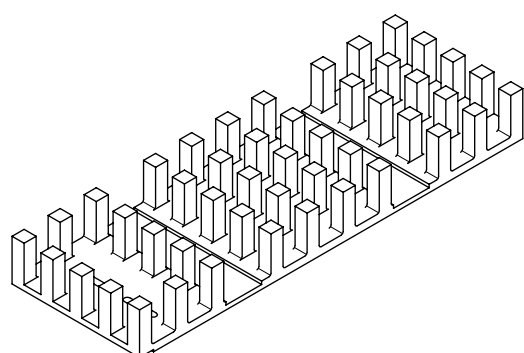
2 ROW QUAD LIGHT PIPE



HEAT SINK

HEAT SINK

HEAT SINK



HEAT SINK HEIGHT OPTIONS

OVERALL HEAT SINK HEIGHT	DIM "A"
PCI	13.7
SAN	16.0
NET	23.0

1 HEIGHT OF HEAT SINK WITH MODULE INSERTED.
DIMENSION MAY BE LESS DUE TO MODULE AND HEAT SINK VARIATIONS

THIS DRAWING CONTAINS INFORMATION THAT IS PROPRIETARY TO MOLEX ELECTRONIC TECHNOLOGIES, LLC AND SHOULD NOT BE USED WITHOUT WRITTEN PERMISSION

DIMENSION UNITS	SCALE	CURRENT REV DESC: REMOVED OBSOLETE PART NUMBER AS PER PCN#511691.	
mm	1.5:1		
GENERAL TOLERANCES (UNLESS SPECIFIED)			
ANGULAR TOL	± 2.0°		
4 PLACES	±	EC NO: 737858	
3 PLACES	±	DRWN: SANTHN	2023/02/08
2 PLACES	± 0.13	CHK'D: GGA	2023/02/24
1 PLACE	± 0.25	APPR: GGA	2023/02/24
0 PLACES	±	INITIAL REVISION:	
DRAFT WHERE APPLICABLE MUST REMAIN WITHIN DIMENSIONS		DRWN: SJKG	2016/09/26
		APPR: RCHEN08	2016/11/29
THIRD ANGLE PROJECTION		DRAWING	SERIES
		C-SIZE	100017
		MATERIAL NUMBER	CUSTOMER
		SEE TABLE	GENERAL MARKET
		DOC TYPE	DOC PART
		PSD	ASY
		REVISION	A3
		SHEET NUMBER	2 OF 9

molex

ZQSFP+ 1X4 GANGED CAGE ASSEMBLY
WING SPRING FINGER WITH H/S & LP OPTIONS

PRODUCT CUSTOMER DRAWING

DOCUMENT NUMBER

1000177200

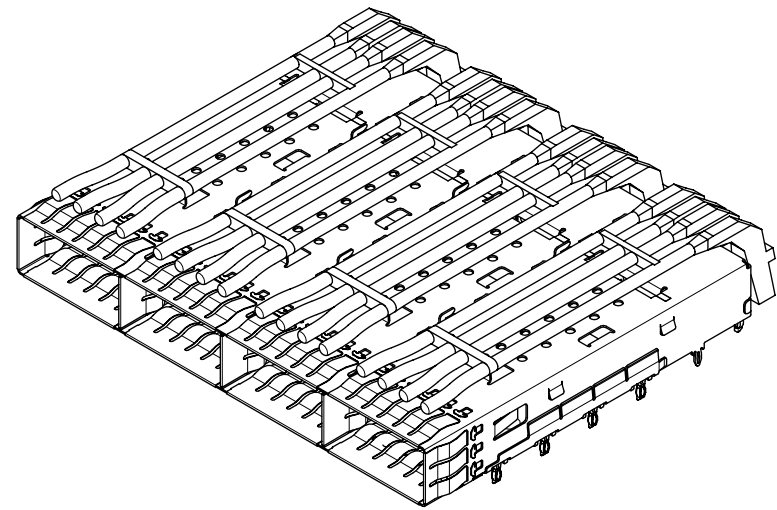
GENERAL MARKET

2 OF 9

DOCUMENT STATUS P1 RELEASE DATE 2023/02/24 09:13:41

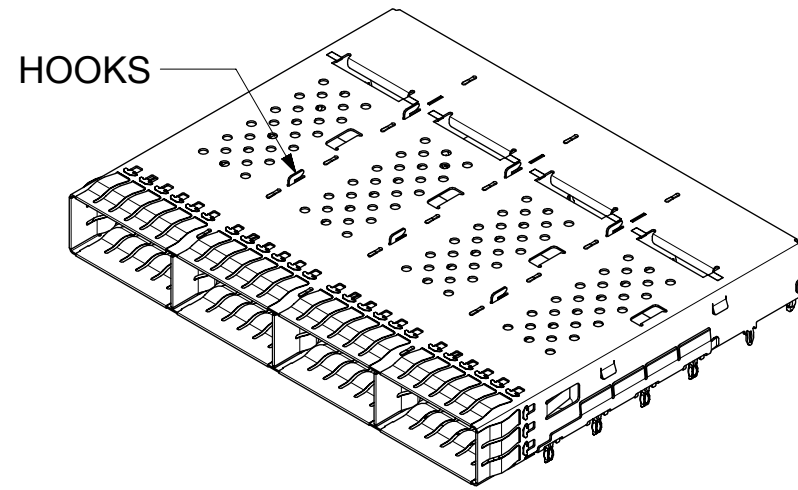
PART NUMBER SELECTION

NO HEAT SINKS
WITH LIGHT PIPES
CLOSED TOP



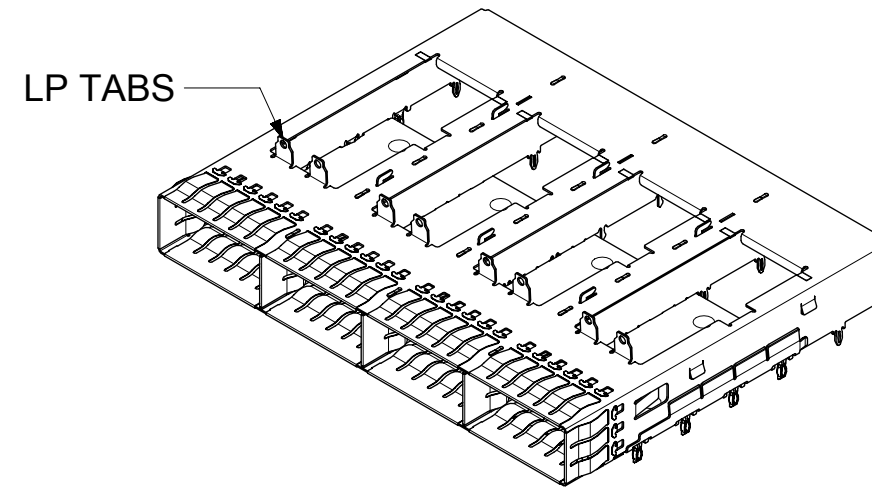
MOLEX P/N	LIGHT PIPES	#OF REAR LEGS PER PORT
1000177231	SINGLE	0
1000177232	SINGLE	1
1000177233	DUAL	0
1000177234	DUAL	1
1000177235	QUAD	0
1000177236	QUAD	1

NO HEAT SINKS
NO LIGHT PIPES
CLOSED TOP



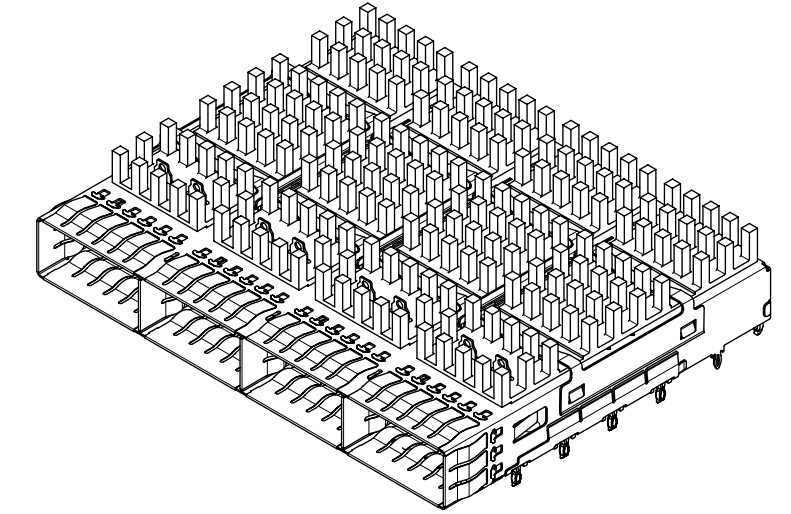
MOLEX P/N	#OF REAR LEGS PER PORT	HOOKS
1000177242	1	YES

NO HEAT SINKS
NO LIGHT PIPES
OPEN TOP



MOLEX P/N	#OF REAR LEGS PER PORT	LP TAB
1000177250	0	YES
1000177252	1	YES
1000177255	1	NO

WITH HEAT SINKS
NO LIGHT PIPES

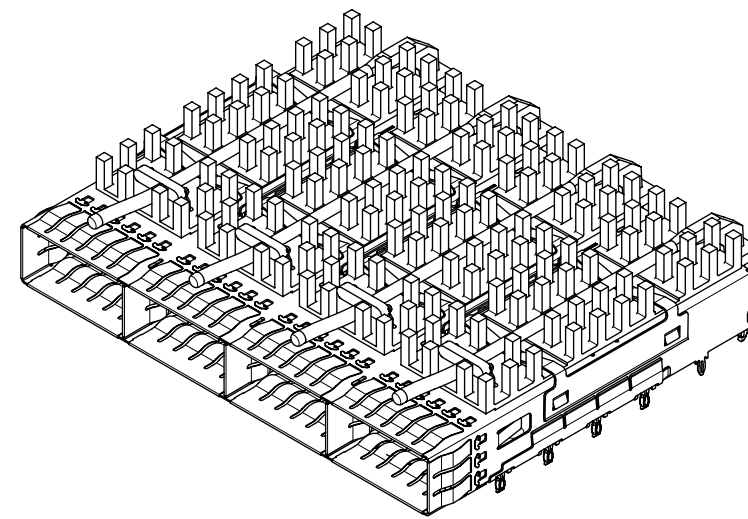


MOLEX P/N	HEAT SINK	#OF REAR LEGS PER PORT
1000177340	PCI	0
1000177341	SAN	0
1000177342	NET	0
1000177343	PCI	1
1000177344	SAN	1
1000177345	NET	1

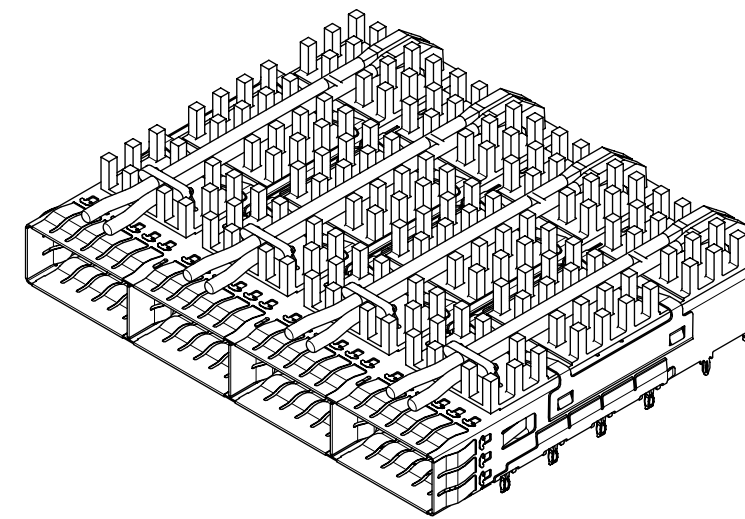
WITH HEAT SINKS AND LIGHT PIPES

MOLEX P/N	LIGHT PIPES	HEAT SINKS	#OF REAR LEGS PER PORT
1000177440	SINGLE	PCI	0
1000177441	SINGLE	SAN	0
1000177442	SINGLE	NET	0
1000177443	DUAL	PCI	0
1000177444	DUAL	SAN	0
1000177445	DUAL	NET	0
1000177446	QUAD	PCI	0
1000177447	QUAD	SAN	0
1000177448	QUAD	NET	0

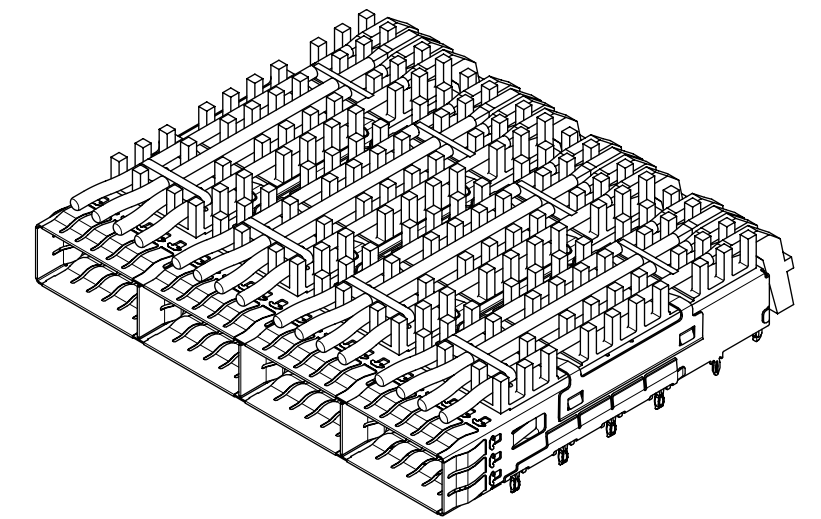
SINGLE LIGHT PIPE



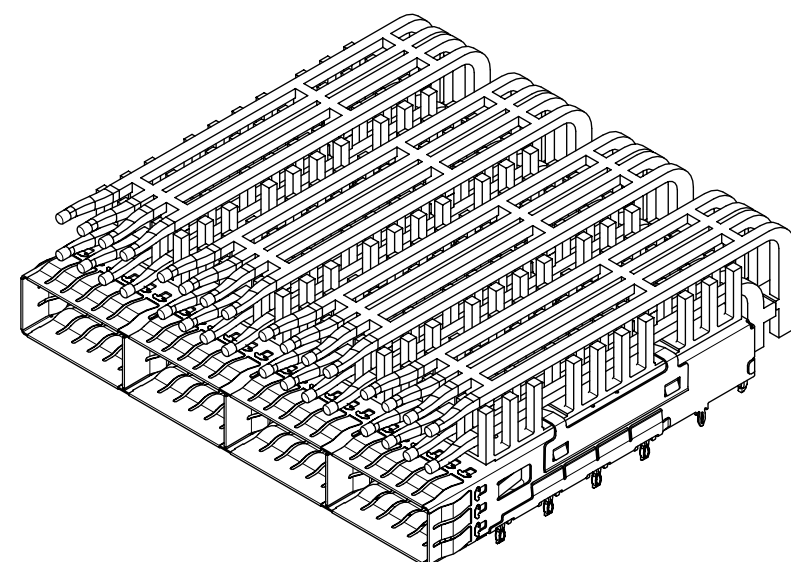
DUAL LIGHT PIPE



QUAD LIGHT PIPE



2 ROW QUAD LIGHT PIPE



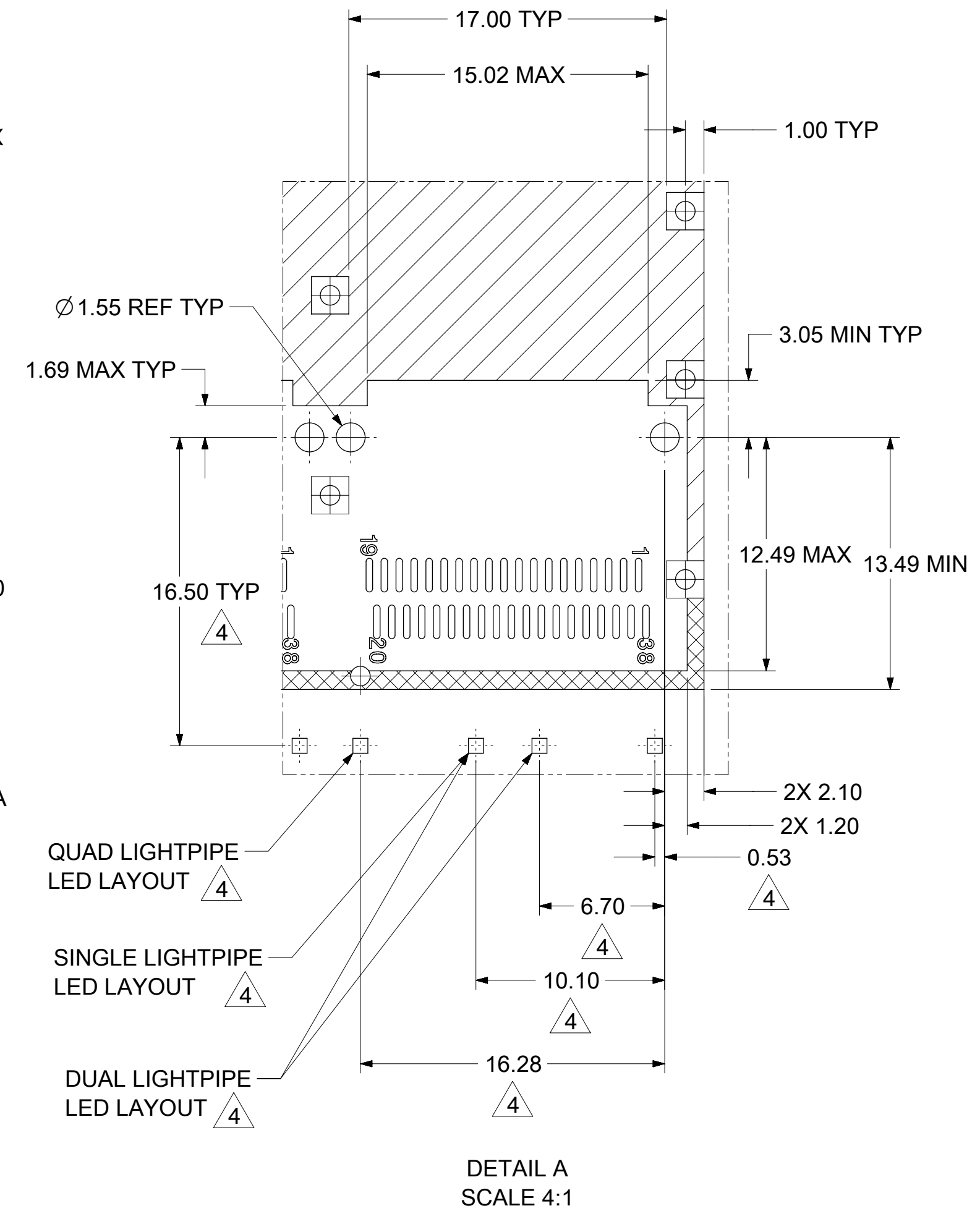
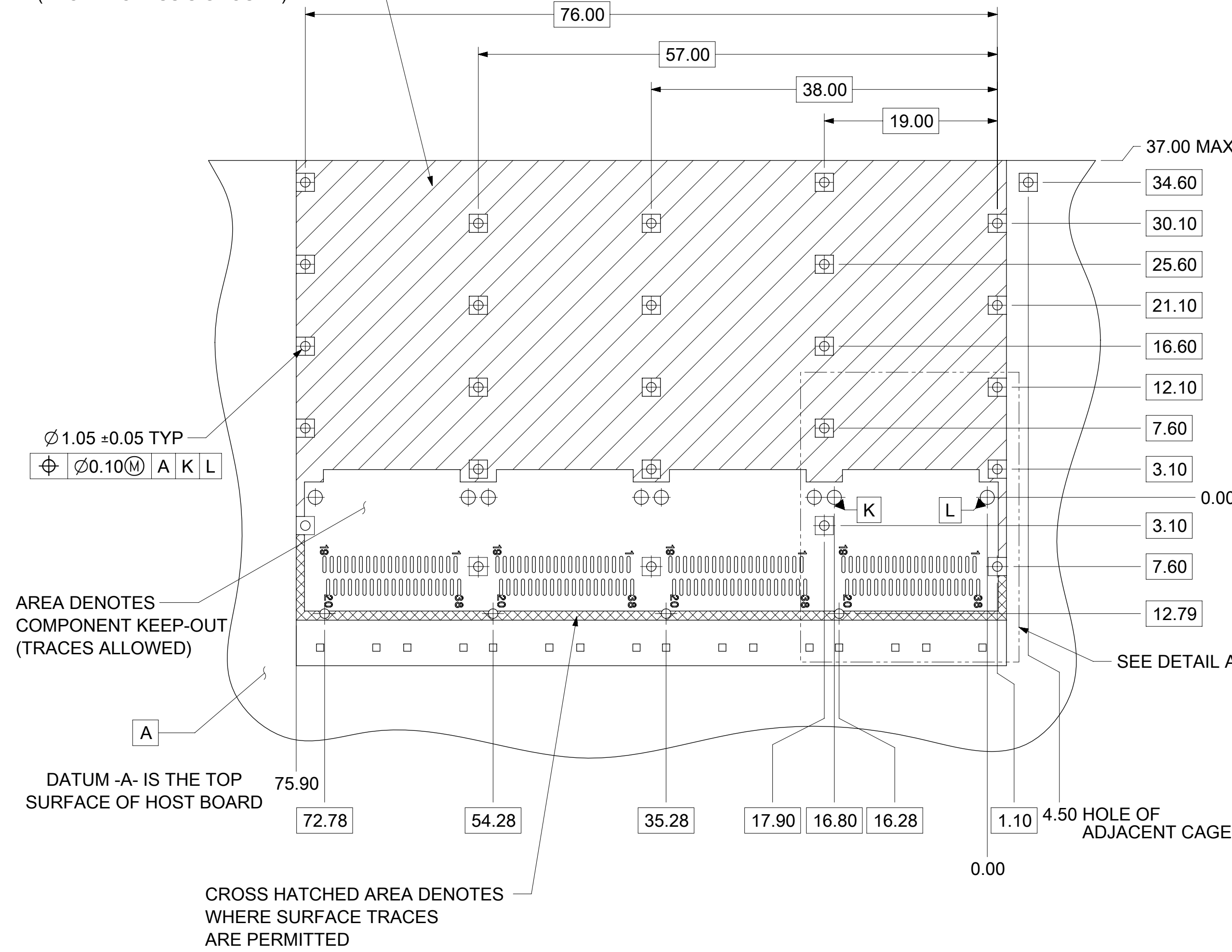
1000177540	SINGLE	PCI	1
1000177541	SINGLE	SAN	1
1000177542	SINGLE	NET	1
1000177543	DUAL	PCI	1
1000177544	DUAL	SAN	1
1000177545	DUAL	NET	1
1000177546	QUAD	PCI	1
1000177547	QUAD	SAN	1
1000177548	QUAD	NET	1
1000177647	2 ROW QUAD	SAN	1
1000177648	2 ROW QUAD	NET	1
1000177649	2 ROW QUAD	CUSTOM (A=19.0REF)	1

THIS DRAWING CONTAINS INFORMATION THAT IS PROPRIETARY TO MOLEX ELECTRONIC TECHNOLOGIES, LLC AND SHOULD NOT BE USED WITHOUT WRITTEN PERMISSION

DIMENSION UNITS mm	SCALE 1:1	CURRENT REV DESC: REMOVED OBSOLETE PART NUMBER AS PER PCN#511691.	molex		
GENERAL TOLERANCES (UNLESS SPECIFIED)		EC NO: 737858			
ANGULAR TOL ± 2.0°	4 PLACES ±	DRWN: SANTHN	2023/02/08		
3 PLACES ±	2 PLACES ± 0.13	CHK'D: GGA	2023/02/24		
1 PLACE ± 0.25	0 PLACES ±	APPR: GGA	2023/02/24		
DRAFT WHERE APPLICABLE MUST REMAIN WITHIN DIMENSIONS	THIRD ANGLE PROJECTION	INITIAL REVISION:	PRODUCT CUSTOMER DRAWING		
		DRWN: SJKG	2016/09/26		
		APPR: RCHEN08	2016/11/29		
		DRAWING	SERIES	DOCUMENT NUMBER	DOC TYPE DOC PART REVISION
		C-SIZE	100017	1000177200	PSD ASY A3
				SEE TABLE	CUSTOMER
				GENERAL MARKET	SHEET NUMBER
					3 OF 9

PCB LAYOUT FOR SINGLE SIDED MOUNTING

HATCHED AREA DENOTES
COMPONENT AND TRACE KEEP-OUT
(EXCEPT CHASSIS GROUND)

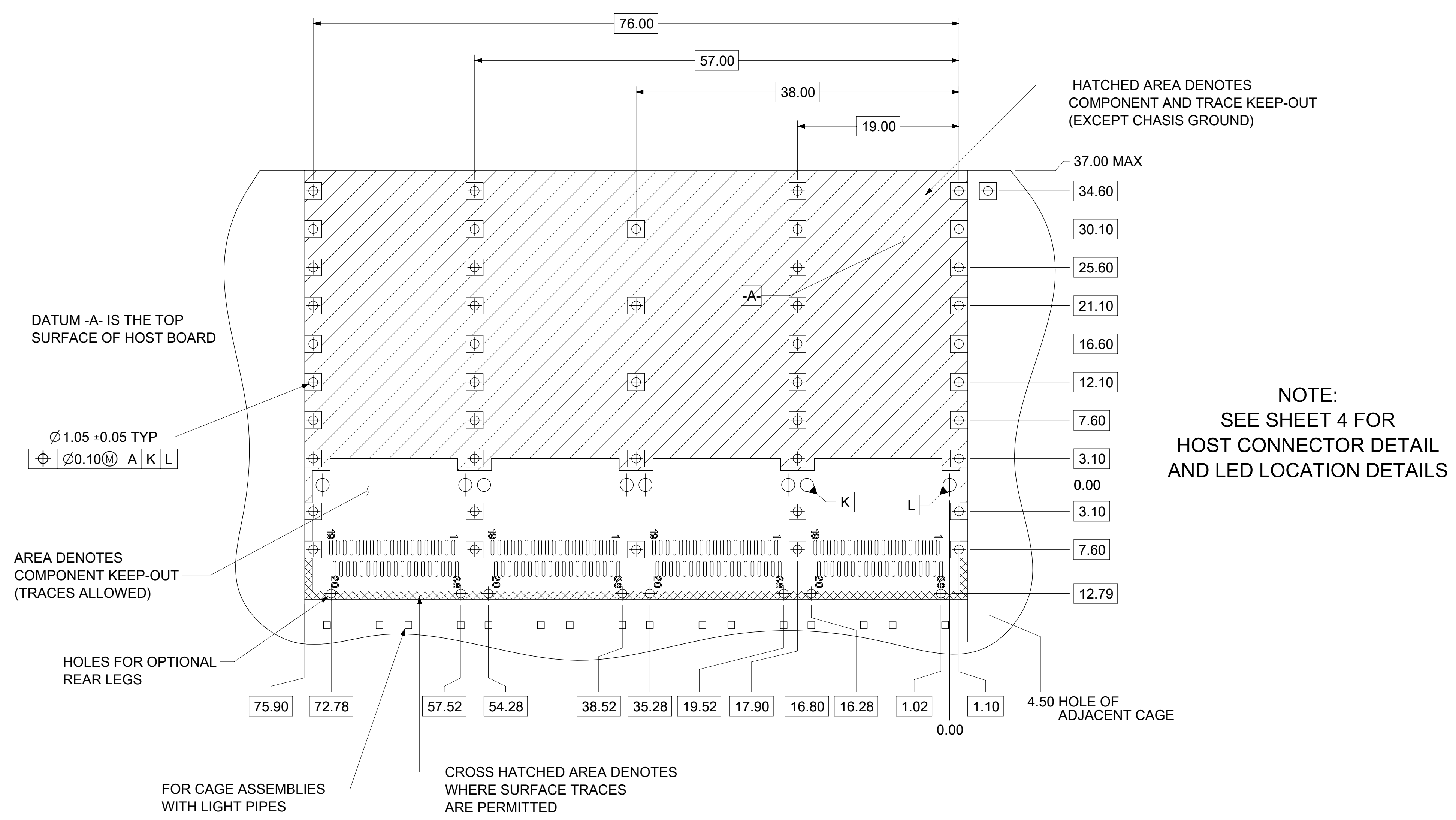


- NOTES:
1. PADS AND VIAS GO TO CHASSIS GROUND. (RECOMMENDED PADS TO BE 2.00mm SQUARE.)
 2. RECOMMENDED THRU HOLE PLATING INCLUDES HASL, OSP, OR IMMERSION (GOLD, SILVER, OR TIN).
 3. CONNECTOR PAD LAYOUT PER SFF-8663 WILL ACCOMODATE MOLEX CONNECTOR SERIES 170432.
 4. NOTED DIMENSIONS ONLY APPLY TO CAGE ASSEMBLIES WITH LIGHT PIPES.

THIS DRAWING CONTAINS INFORMATION THAT IS PROPRIETARY TO MOLEX ELECTRONIC TECHNOLOGIES, LLC AND SHOULD NOT BE USED WITHOUT WRITTEN PERMISSION															
DIMENSION UNITS mm		SCALE 2.5:1		CURRENT REV DESC: REMOVED OBSOLETE PART NUMBER AS PER PCN#511691.						molex					
GENERAL TOLERANCES (UNLESS SPECIFIED)				EC NO: 737858											
ANGULAR TOL ± 2.0°				4 PLACES ±		DRWN: SANTHN		2023/02/08		PRODUCT CUSTOMER DRAWING					
2 PLACES ± 0.13				3 PLACES ±		CHK'D: GGA		2023/02/24							
1 PLACE ± 0.25				2 PLACES ±		APPR: GGA		2023/02/24		DOCUMENT NUMBER 1000177200					
0 PLACES ±				1 PLACE ±		INITIAL REVISION:		2016/09/26				DOC TYPE PSD	DOC PART ASY	REVISION A3	
DRAFT WHERE APPLICABLE MUST REMAIN WITHIN DIMENSIONS				THIRD ANGLE PROJECTION		DRAWING C-SIZE		SERIES 100017		MATERIAL NUMBER SEE TABLE		CUSTOMER GENERAL MARKET		SHEET NUMBER 4 OF 9	

DOCUMENT STATUS	P1	RELEASE DATE	2023/02/24	09:13:41
-----------------	----	--------------	------------	----------

PCB LAYOUT FOR BELLY TO BELLY MOUNTING



DATUM -A- IS THE TOP SURFACE OF HOST BOARD

HATCHED AREA DENOTES COMPONENT AND TRACE KEEP-OUT (EXCEPT CHASSIS GROUND)

NOTE:
SEE SHEET 4 FOR
HOST CONNECTOR DETAIL
AND LED LOCATION DETAILS

Ø 1.05 ± 0.05 TYP
Ø 0.10 (M) A K L

AREA DENOTES COMPONENT KEEP-OUT (TRACES ALLOWED)

HOLES FOR OPTIONAL REAR LEGS

FOR CAGE ASSEMBLIES WITH LIGHT PIPES

CROSS HATCHED AREA DENOTES WHERE SURFACE TRACES ARE PERMITTED

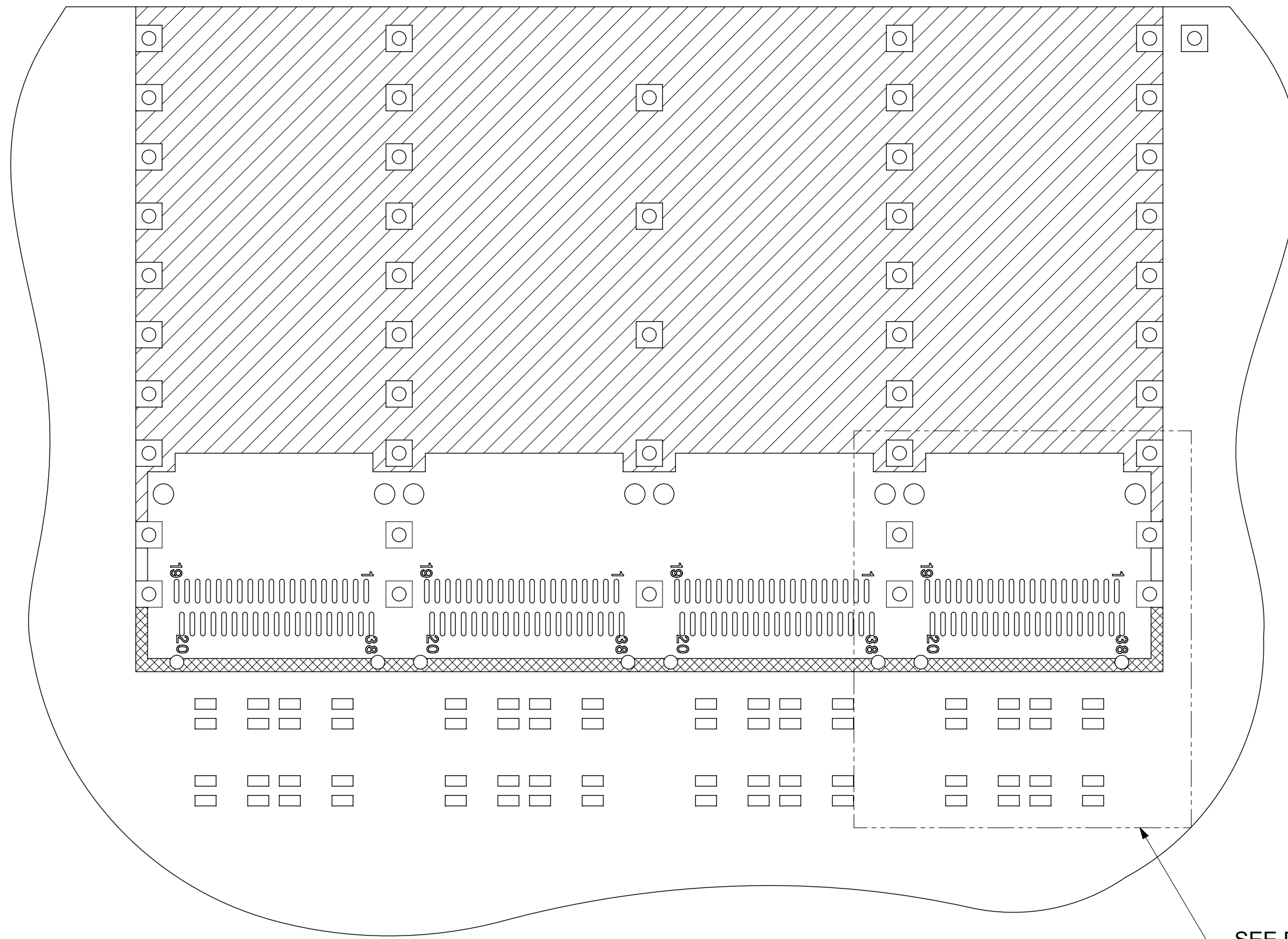
- NOTES:
- PADS AND VIAS GO TO CHASSIS GROUND. (RECOMMENDED PADS TO BE 2.00mm SQUARE.)
 - RECOMMENDED THRU HOLE PLATING INCLUDES HASL, OSP, OR IMMERSION (GOLD, SILVER, OR TIN).
 - CONNECTOR PAD LAYOUT PER SFF-8663 WILL ACCOMODATE MOLEX CONNECTOR SERRIES 170432.

THIS DRAWING CONTAINS INFORMATION THAT IS PROPRIETARY TO MOLEX ELECTRONIC TECHNOLOGIES, LLC AND SHOULD NOT BE USED WITHOUT WRITTEN PERMISSION

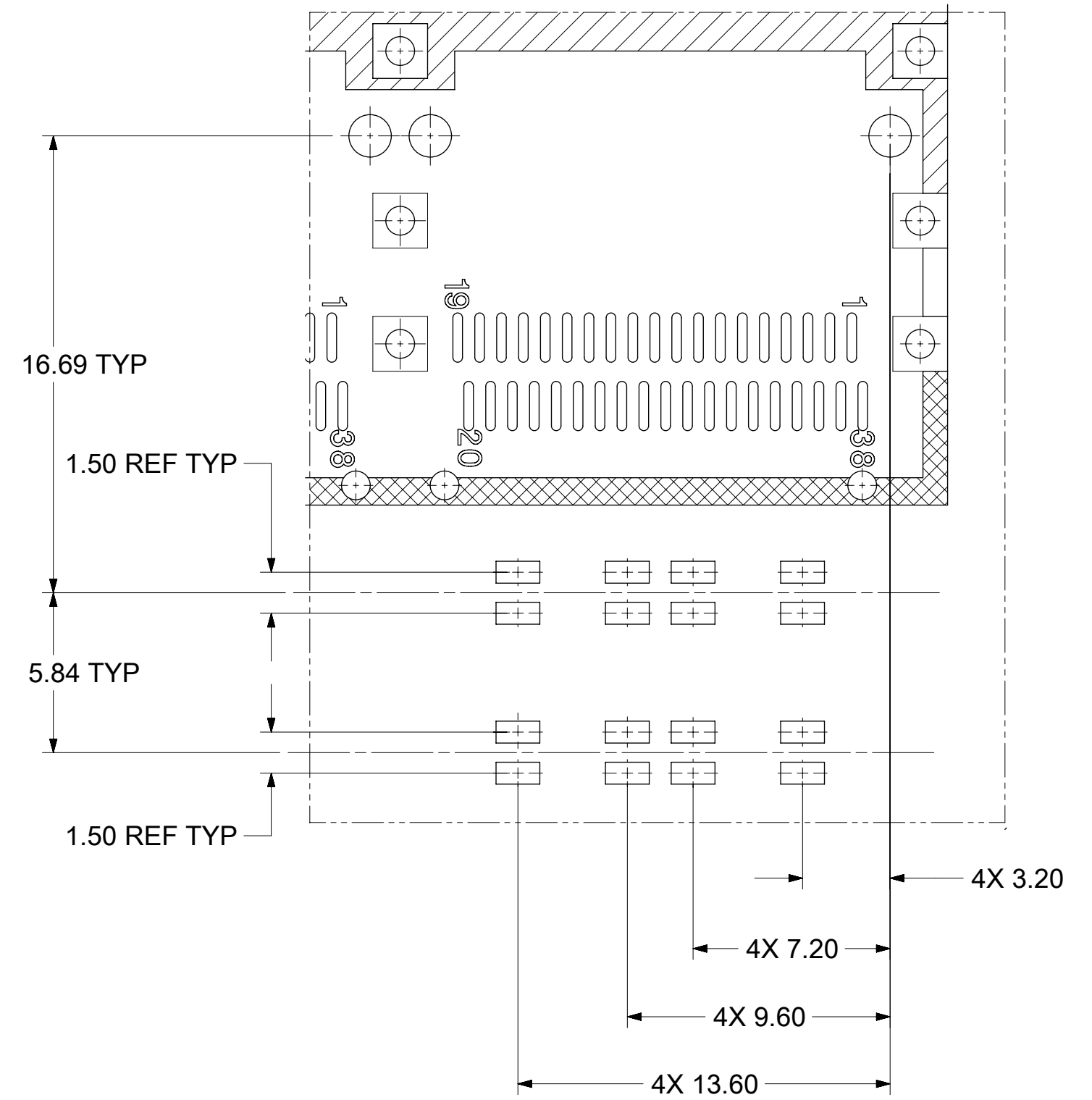
DIMENSION UNITS	SCALE	CURRENT REV DESC: REMOVED OBSOLETE PART NUMBER AS PER PCN#511691.				
mm	3:1					
GENERAL TOLERANCES (UNLESS SPECIFIED)		EC NO: 737858		ZQSFP+ 1X4 GANGED CAGE ASSEMBLY WING SPRING FINGER WITH H/S & LP OPTIONS		
ANGULAR TOL	± 2.0°	DRWN: SANTHN 2023/02/08		PRODUCT CUSTOMER DRAWING		
4 PLACES	±	CHK'D: GGA 2023/02/24		DOCUMENT NUMBER		
3 PLACES	±	APPR: GGA 2023/02/24		1000177200		
2 PLACES	± 0.13	INITIAL REVISION:		DOC TYPE		
1 PLACE	± 0.25	DRWN: SJKG 2016/09/26		PSD		
0 PLACES	±	APPR: RCHEN08 2016/11/29		ASY		
DRAFT WHERE APPLICABLE MUST REMAIN WITHIN DIMENSIONS		THIRD ANGLE PROJECTION		DRAWING		REVISION
		C-SIZE		SERIES		A3
		100017		MATERIAL NUMBER		SHEET NUMBER
		SEE TABLE		CUSTOMER		5 OF 9
		GENERAL MARKET				

DOCUMENT STATUS	P1	RELEASE DATE	2023/02/24 09:13:41
-----------------	----	--------------	---------------------

LED PLACEMENT FOR 2 ROW QUAD LIGHT PIPE



SEE DETAIL 1

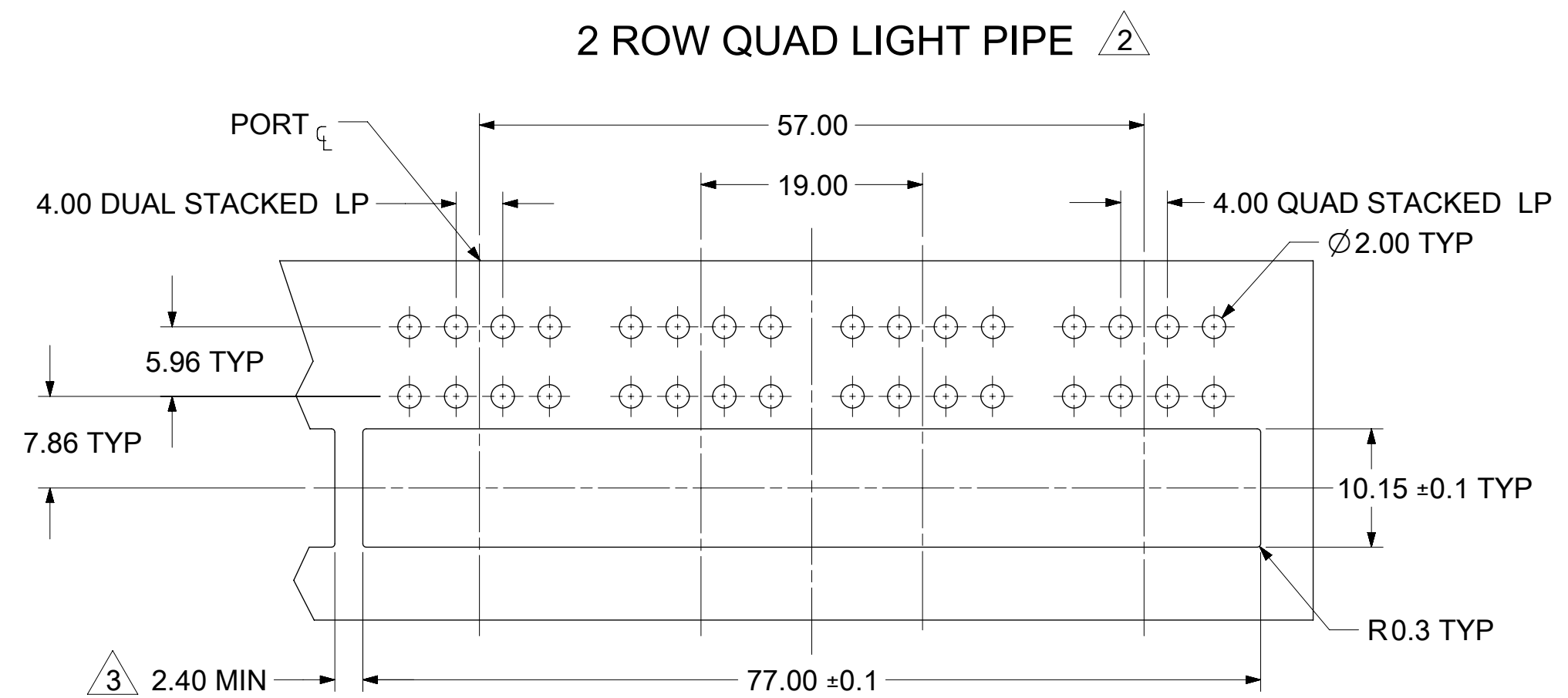
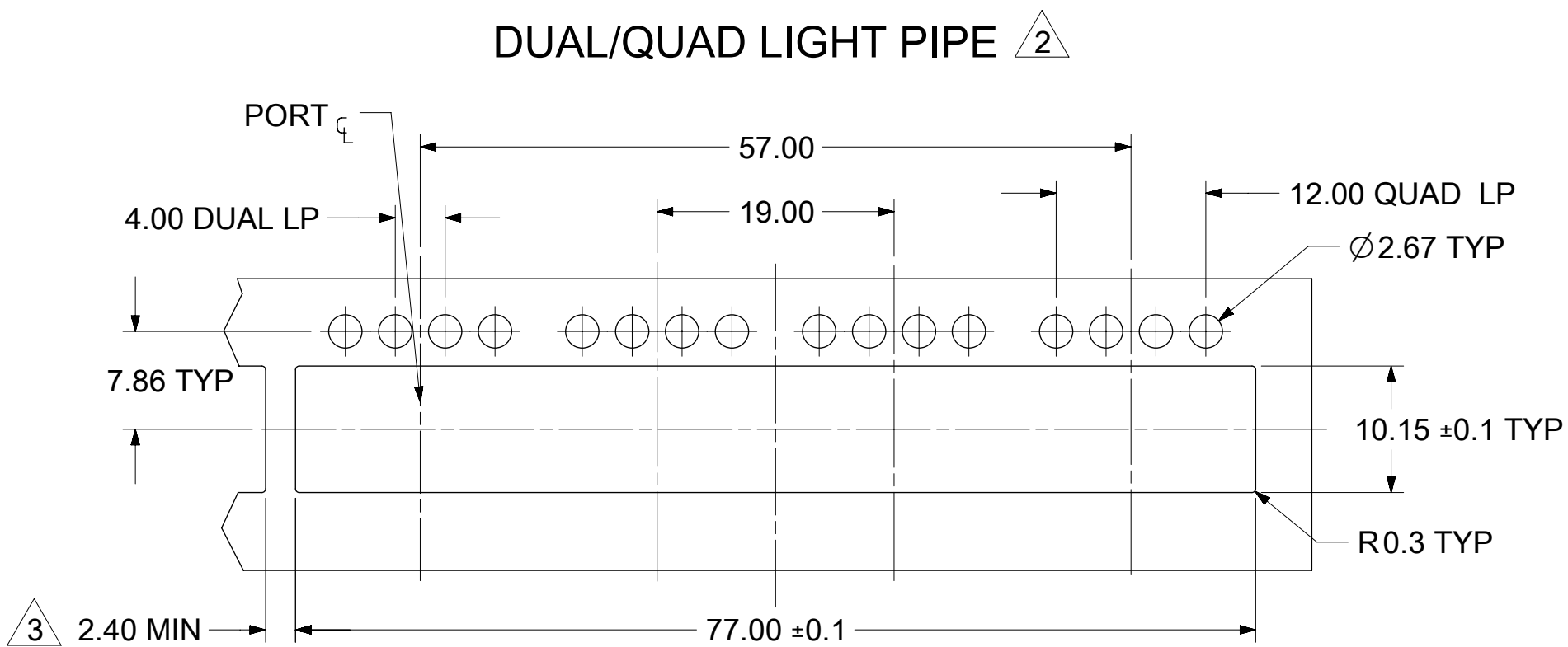
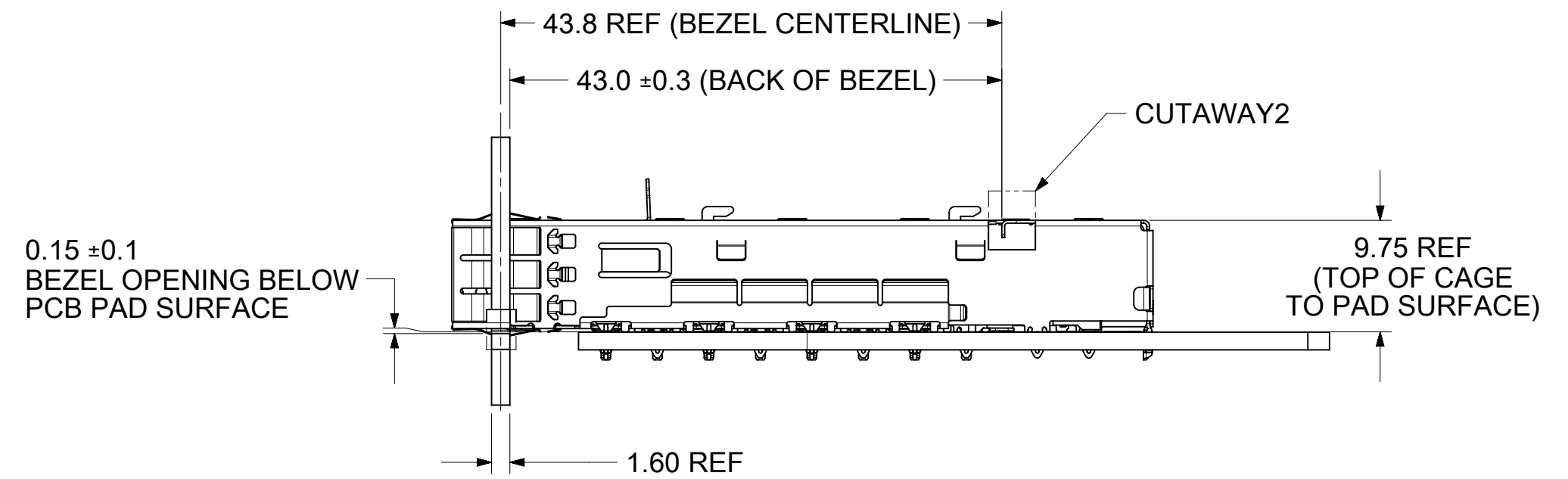
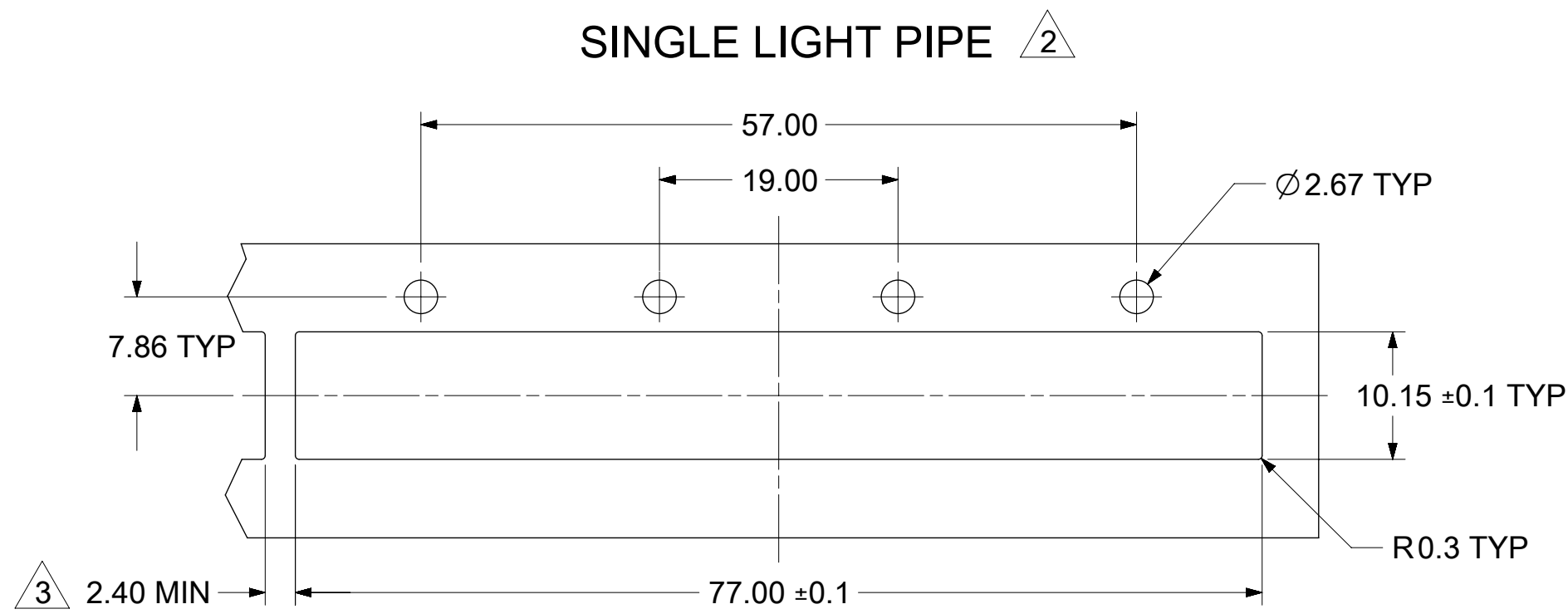


DETAIL 1
SCALE 5:1

NOTE:
SEE SHEET 4 FOR
HOST CONNECTOR DETAIL

THIS DRAWING CONTAINS INFORMATION THAT IS PROPRIETARY TO MOLEX ELECTRONIC TECHNOLOGIES, LLC AND SHOULD NOT BE USED WITHOUT WRITTEN PERMISSION									
DIMENSION UNITS mm		SCALE 3:1		CURRENT REV DESC: REMOVED OBSOLETE PART NUMBER AS PER PCN#511691.				molex	
GENERAL TOLERANCES (UNLESS SPECIFIED)									
ANGULAR TOL ± 2.0°		EC NO: 737858		2023/02/08				PRODUCT CUSTOMER DRAWING	
4 PLACES ±		DRWN: SANTHN		2023/02/24					
3 PLACES ±		CHK'D: GGA		2023/02/24				DOCUMENT NUMBER 1000177200	
2 PLACES ± 0.13		APPR: GGA		2023/02/24					
1 PLACE ± 0.25		INITIAL REVISION:		2016/09/26				DOC TYPE PSD	
0 PLACES ±		DRWN: SJKG		2016/11/29					
DRAFT WHERE APPLICABLE MUST REMAIN WITHIN DIMENSIONS		THIRD ANGLE PROJECTION		DRAWING C-SIZE		SERIES 100017		DOC PART ASY	
						MATERIAL NUMBER SEE TABLE		REVISION A3	
						CUSTOMER GENERAL MARKET		SHEET NUMBER 6 OF 9	

BEZEL AND BOARD POSITION DIMENSIONS FOR SINGLE SIDE MOUNTING

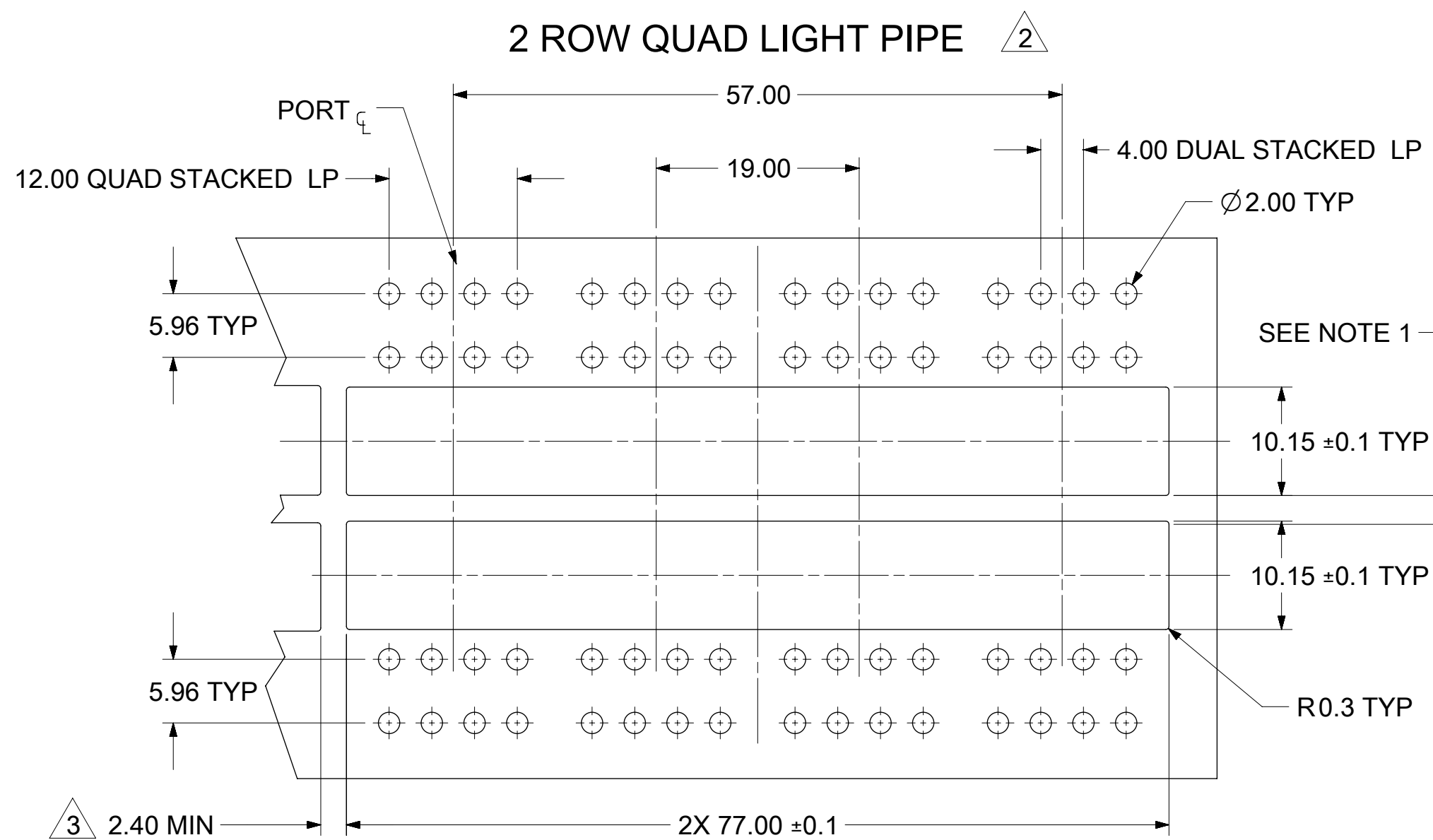
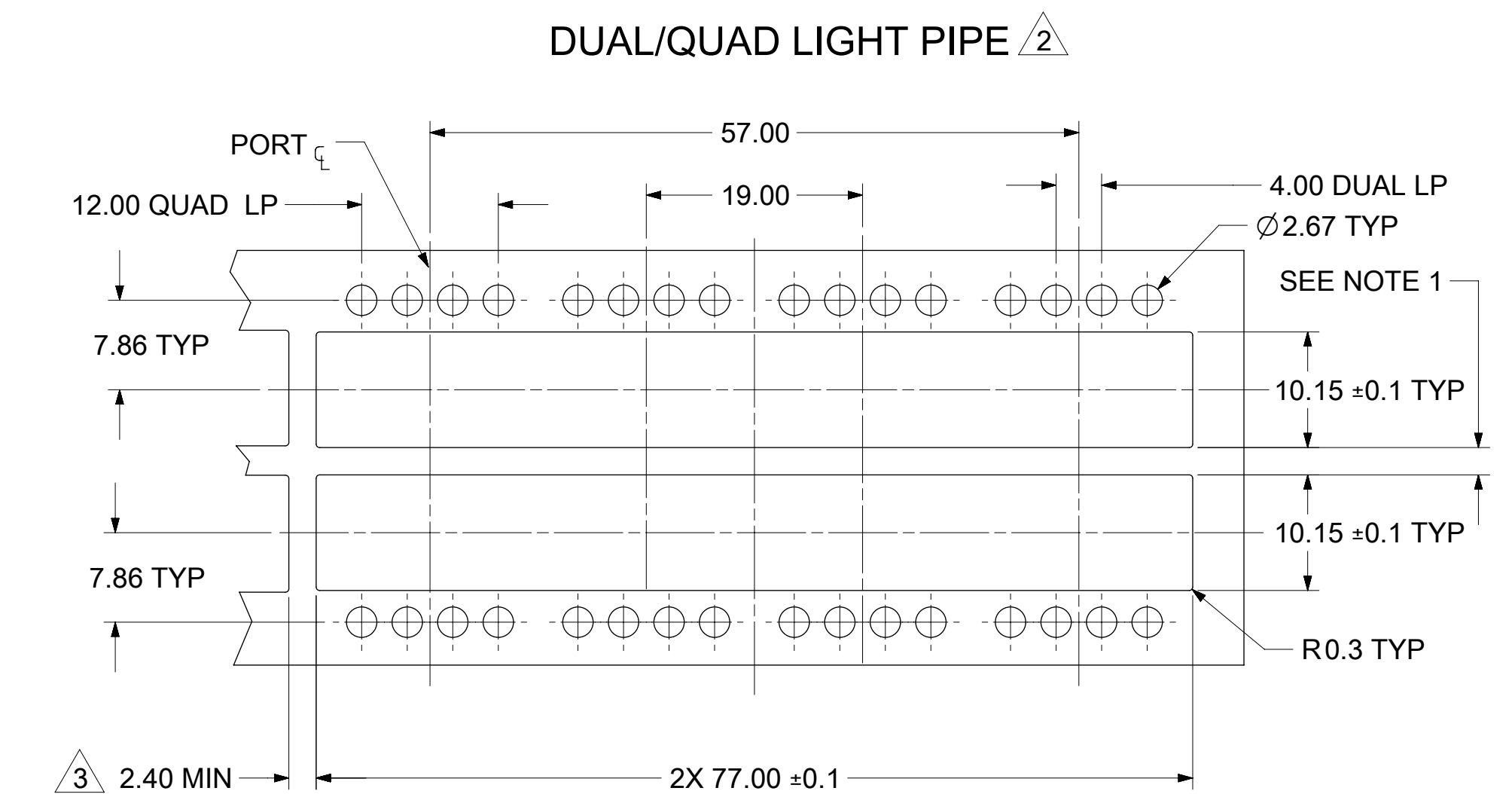
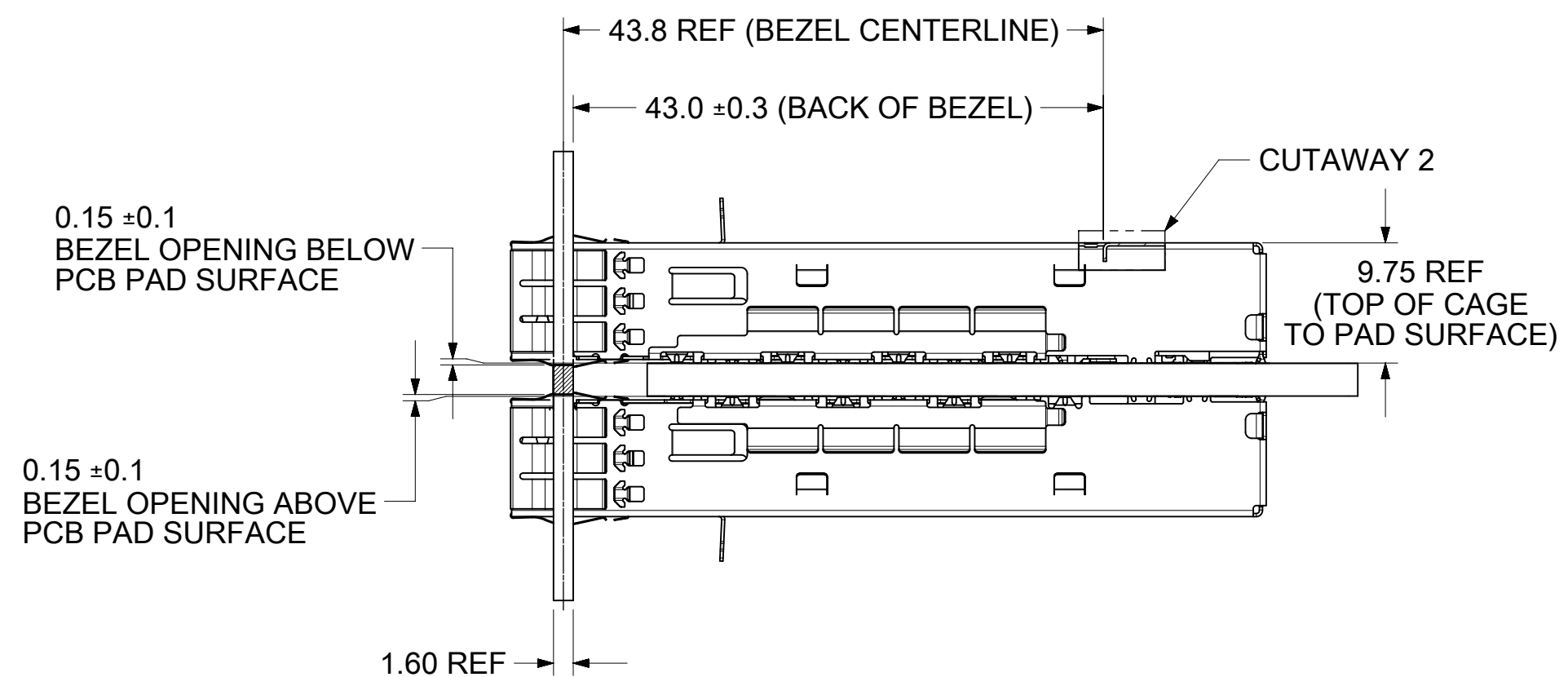
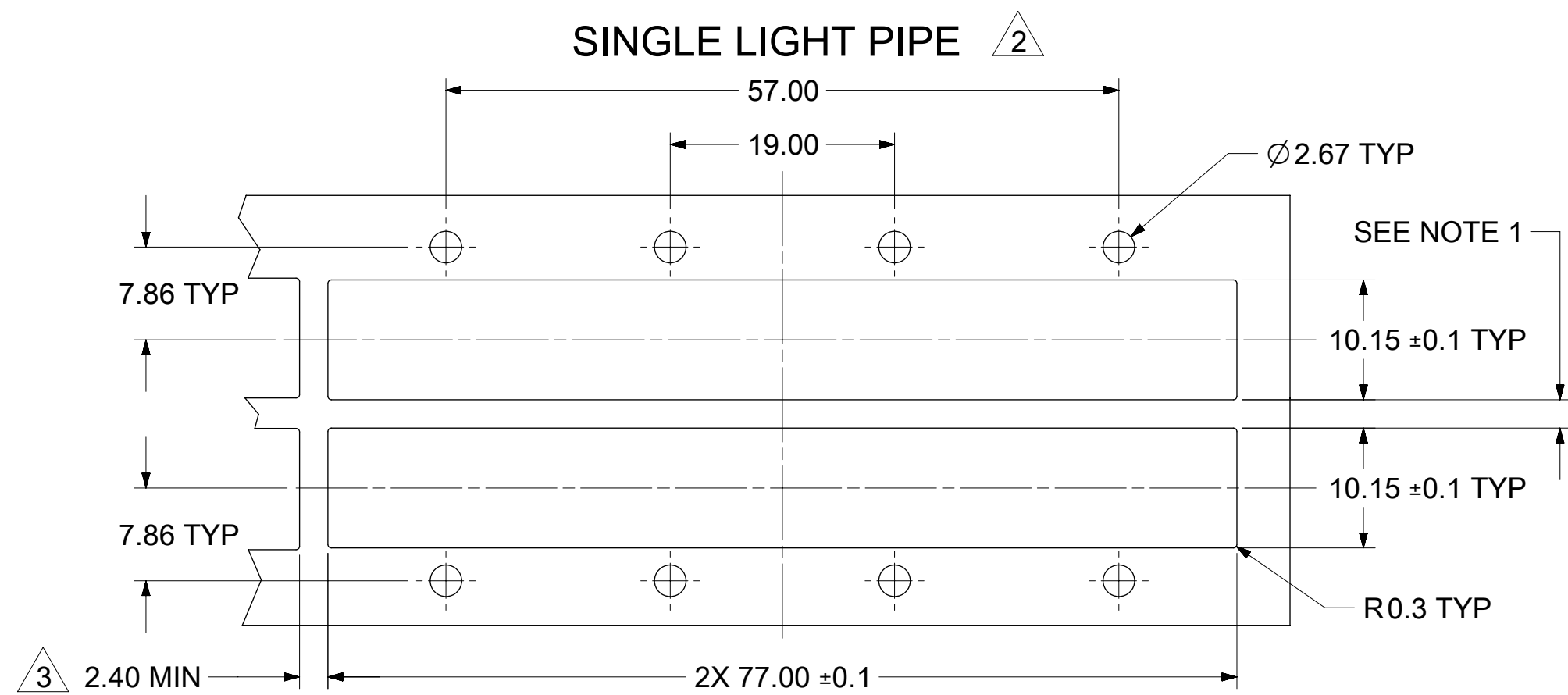


- NOTE:
1. PCB THICKNESS VARIATION MUST BE CONSIDERED WHEN DETERMINING BEZEL OPENING LOCATION.
 2. NOTED DIMENSIONS ONLY APPLY TO CAGE ASSEMBLIES WITH LIGHT PIPES.
 3. THIS DIMENSION IS FOR REFERENCE ONLY. USER CAN MODIFY IT DEPENDS ON APPLICATION. (THIS DIMENSION VARIES BASED ON DISTANCE OF "HOLE OF ADJACENT CAGE" ON PCB LAYOUT.)

THIS DRAWING CONTAINS INFORMATION THAT IS PROPRIETARY TO MOLEX ELECTRONIC TECHNOLOGIES, LLC AND SHOULD NOT BE USED WITHOUT WRITTEN PERMISSION												
DIMENSION UNITS	SCALE	CURRENT REV DESC: REMOVED OBSOLETE PART NUMBER AS PER PCN#511691.										
mm	2:1											
GENERAL TOLERANCES (UNLESS SPECIFIED)		EC NO: 737858			ZQSFP+ 1X4 GANGED CAGE ASSEMBLY WING SPRING FINGER WITH H/S & LP OPTIONS							
ANGULAR TOL	± 2.0°	DRWN: SANTHN			2023/02/08							
4 PLACES	±	CHK'D: GGA			2023/02/24							
3 PLACES	±	APPR: GGA			2023/02/24							
2 PLACES	± 0.13	INITIAL REVISION:			PRODUCT CUSTOMER DRAWING							
1 PLACE	± 0.25	DRWN: SJKG			2016/09/26			DOCUMENT NUMBER		DOC TYPE	DOC PART	REVISION
0 PLACES	±	APPR: RCHEN08			2016/11/29			1000177200		PSD	ASY	A3
DRAFT WHERE APPLICABLE MUST REMAIN WITHIN DIMENSIONS		THIRD ANGLE PROJECTION		DRAWING	SERIES	MATERIAL NUMBER	CUSTOMER		SHEET NUMBER			
				C-SIZE	100017	SEE TABLE	GENERAL MARKET		7 OF 9			

DOCUMENT STATUS	P1	RELEASE DATE	2023/02/24	09:13:41
-----------------	----	--------------	------------	----------

BEZEL AND BOARD POSITION DIMENSIONS FOR BELLY TO BELLY MOUNTING

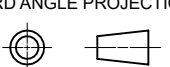


- NOTE:
1. PCB THICKNESS VARIATION MUST BE CONSIDERED WHEN DETERMINING BEZEL OPENING LOCATION.
 2. NOTED DIMENSIONS ONLY APPLY TO CAGE ASSEMBLIES WITH LIGHT PIPES.
 3. THIS DIMENSION IS FOR REFERENCE ONLY. USER CAN MODIFY IT DEPENDS ON APPLICATION. (THIS DIMENSION VARIES BASED ON DISTANCE OF "HOLE OF ADJACENT CAGE" ON PCB LAYOUT.)

THIS DRAWING CONTAINS INFORMATION THAT IS PROPRIETARY TO MOLEX ELECTRONIC TECHNOLOGIES, LLC AND SHOULD NOT BE USED WITHOUT WRITTEN PERMISSION

DIMENSION UNITS	SCALE	CURRENT REV DESC: REMOVED OBSOLETE PART NUMBER AS PER PCN#511691.		molex				
mm	2:1							
GENERAL TOLERANCES (UNLESS SPECIFIED)				ZQSFP+ 1X4 GANGED CAGE ASSEMBLY WING SPRING FINGER WITH H/S & LP OPTIONS				
ANGULAR TOL	± 2.0°	EC NO: 737858		PRODUCT CUSTOMER DRAWING				
4 PLACES	±	DRWN: SANTHN		2023/02/08				
3 PLACES	±	CHK'D: GGA		2023/02/24				
2 PLACES	± 0.13	APPR: GGA		2023/02/24				
1 PLACE	± 0.25	INITIAL REVISION:		DOCUMENT NUMBER				
0 PLACES	±	DRWN: SJKG		1000177200		DOC TYPE	DOC PART	REVISION
DRAFT WHERE APPLICABLE MUST REMAIN WITHIN DIMENSIONS		APPR: RCHEN08		2016/09/26		PSD	ASY	A3
THIRD ANGLE PROJECTION		DRAWING		SERIES		MATERIAL NUMBER		CUSTOMER
C-SIZE		100017		SEE TABLE		GENERAL MARKET		SHEET NUMBER
								8 OF 9

REV	DATE	DESCRIPTION
A	2016/11/25	INITIAL RELEASE
A1	2019/11/19	SHEET 2: D05: ADDED DIM 1.28 REF. SHEET 5: C07: ADDED DIM 19.52, 35.28 & 38.52 C09: ADDED DIM 54.28 & 57.52 C10: ADDED DIM 72.78 SHEET 7: G01: CORRECTED TYPO DIM FROM 9.78 REF TO 9.75 REF SHEET 8: G01: CORRECTED TYPO DIM FROM 9.78 REF TO 9.75 REF
A2	2019/11/25	SHEET 7: F05: CORRECTED BEZEL OPENING POSITION FROM ABOVE THE PCB PAD TO BELOW .
A3	2023/02/08	REMOVED OBSOLETE PART NUMBER 1000177240.

THIS DRAWING CONTAINS INFORMATION THAT IS PROPRIETARY TO MOLEX ELECTRONIC TECHNOLOGIES, LLC AND SHOULD NOT BE USED WITHOUT WRITTEN PERMISSION										
DIMENSION UNITS mm	SCALE 1:1	CURRENT REV DESC: REMOVED OBSOLETE PART NUMBER AS PER PCN#511691.				molex				
GENERAL TOLERANCES (UNLESS SPECIFIED)		EC NO: 737858								
ANGULAR TOL ± 2.0°		DRWN: SANTHN 2023/02/08				ZQSFP+ 1X4 GANGED CAGE ASSEMBLY WING SPRING FINGER WITH H/S & LP OPTIONS				
4 PLACES ±		CHK'D: GGA 2023/02/24								
3 PLACES ±		APPR: GGA 2023/02/24				PRODUCT CUSTOMER DRAWING				
2 PLACES ± 0.13		INITIAL REVISION:								
1 PLACE ± 0.25		DRWN: SJKG 2016/09/26				DOCUMENT NUMBER		DOC TYPE	DOC PART	REVISION
0 PLACES ±		APPR: RCHEN08 2016/11/29				1000177200		PSD	ASY	A3
DRAFT WHERE APPLICABLE MUST REMAIN WITHIN DIMENSIONS	THIRD ANGLE PROJECTION 	DRAWING C-SIZE	SERIES 100017	MATERIAL NUMBER SEE TABLE	CUSTOMER GENERAL MARKET	SHEET NUMBER 9 OF 9				