

注記 NOTES:

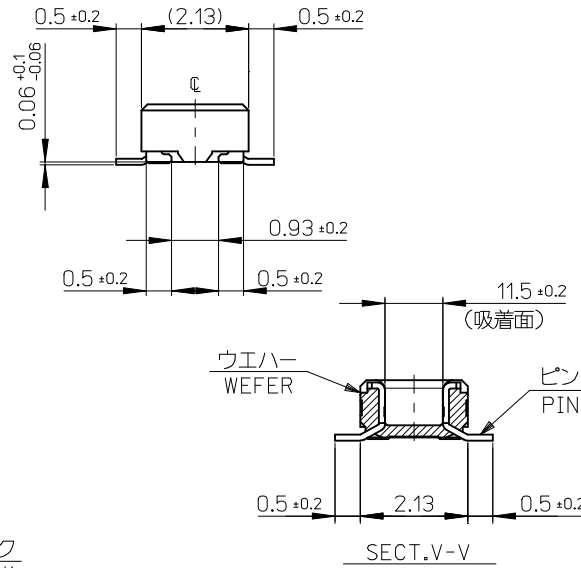
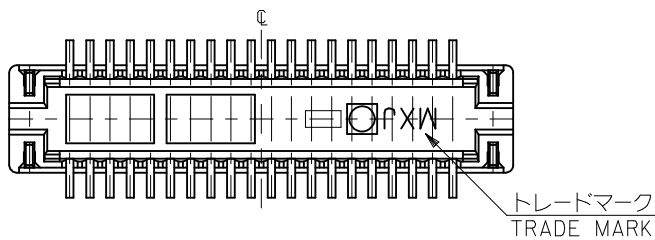
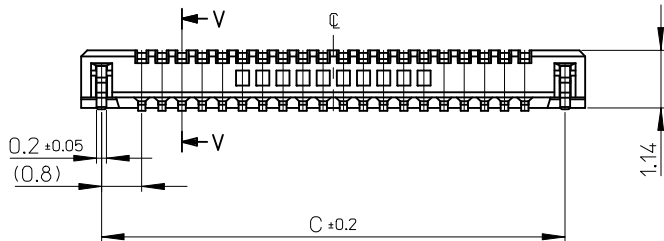
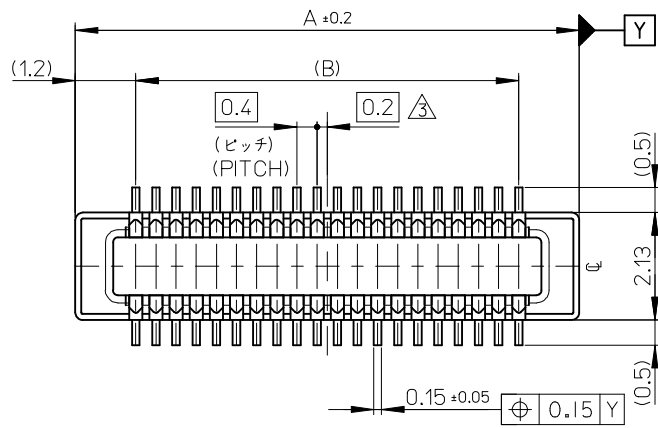
1. 使用材料 MATERIAL

ウエハー: 液晶ポリマー (LCP) ガラス充填 UL94V-0 (黒)  $\Delta$  (全極数/2) = 偶数の場合に適用。  
 WAFER: LIQUID CRYSTAL POLYMER (GLASS FILLED)  
 UL94V-0 (COLOR: BLACK)  
 ピン: 黄銅 (t=0.12)  
 PIN: BRASS (t=0.12)  
 金具: リン青銅 (t=0.2)  
 FITTING NAIL: PHOSPHOR BRONZE (t=0.2)

- 4. 嵌合相手: 51338シリーズ  
MATE WITH: 51338 SERIES.
- 5. テール平坦度は、0.08以下  
TAIL COPLANARITY TO BE 0.08 MAXIMUM  
テール及び金具の平坦度は、0.1以下  
TAIL AND FITTING NAIL COPLANARITY TO BE 0.1 MAXIMUM
- 6. 本製品は 55909-\*\*39 の鉛フリー品である。  
THIS PRODUCT IS LEAD FREE OF 55909-\*\*39

2. メッキ仕様 PLATING

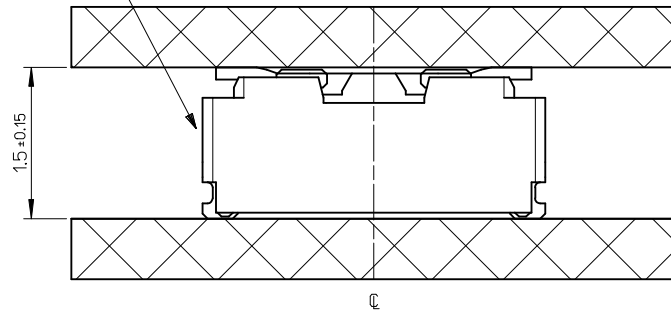
ターミナル TERMINAL  
 コンタクト部: 金めっき (0.381  $\mu$ m以上)  
 CONTACT AREA: GOLD PLATING (0.381 MICROMETER MINIMUM)  
 テール部: 金めっき  
 SOLDER TAIL AREA: GOLD PLATING  
 下地メッキ: ニッケルメッキ 1.5 マイクロメートル以上  
 UNDER PLATING: NICKEL 1.5 MICROMETER MINIMUM  
 金具 FITTING NAIL  
 錫メッキ 1.0 マイクロメートル以上  
 TIN PLATING 1.0 MICROMETER MINIMUM  
 下地メッキ: ニッケルメッキ 1.0 マイクロメートル以上  
 UNDER PLATING: NICKEL 1.0 MICROMETER MINIMUM



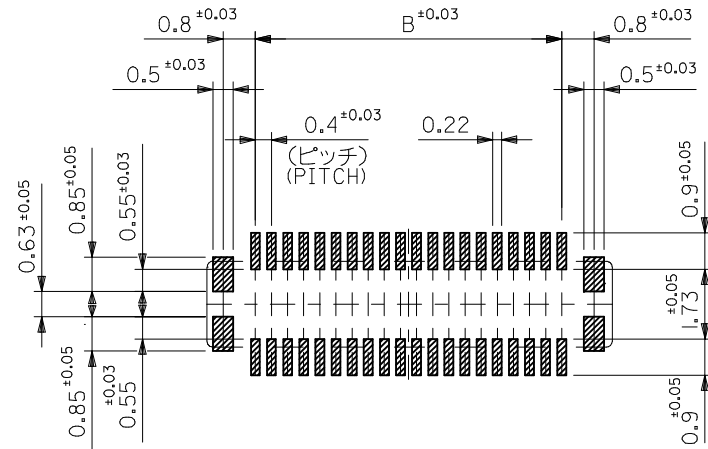
17.2	15.6	18.0	55909-0840	80
9.2	7.6	10.0	55909-0440	40
5.2	3.6	6.0	55909-0240	20
C	B	A	EMBOSSED TAPE PKG. ORDER No. オーダー番号	CKT.
CONNECTOR SERIES NO.			55909-**39	

RELEASED EC NO: J2015-0916 DRWN: YISHIDA 2015/01/16 CHKD: TASAKAWA 2015/01/16 APPR: KMORIKAWA 2015/02/18	GENERAL TOLERANCES (UNLESS SPECIFIED)		DIMENSION STYLE		SCALE	DESIGN UNITS	THIRD ANGLE PROJECTION 0.4 B-TO-B CONN. PLUG ASSY (HGT=1.5) WITH NAIL -LEAD FREE- <b>molex</b> DOCUMENT NO. SD-55909-007 SHEET NO. 1 OF 2
			MM ONLY		---	METRIC	
	0.25 UNDER	UNDER	±0.03	DRAWN BY	DATE	TITLE	
	0.25 OVER	0.5 UNDER	±0.05	YISHIDA	2015/01/16		
	0.5 OVER	1.0 UNDER	±0.1	CHECKED BY	DATE		
1.0 OVER	10 UNDER	±0.2	TASAKAWA	2015/01/16			
10 OVER	30 UNDER	±0.25	APPROVED BY	DATE			
30 OVER		±0.3	KMORIKAWA	2015/02/18			
ANGULAR		±3 °	MATERIAL NO.				
DRAFT WHERE APPLICABLE MUST REMAIN WITHIN DIMENSIONS		SIZE		SEE CHART			
O		A3		THIS DRAWING CONTAINS INFORMATION THAT IS PROPRIETARY TO MOLEX INCORPORATED AND SHOULD NOT BE USED WITHOUT WRITTEN PERMISSION			

嵌合相手  
MATE WITH  
51338-\*\*\*\*



嵌合断面図 (参考)  
MATED DRAWING (REFERENCE)

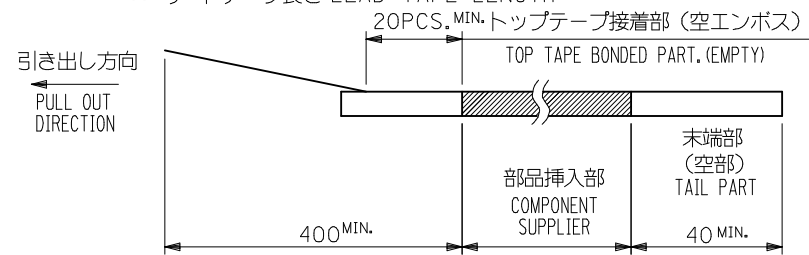
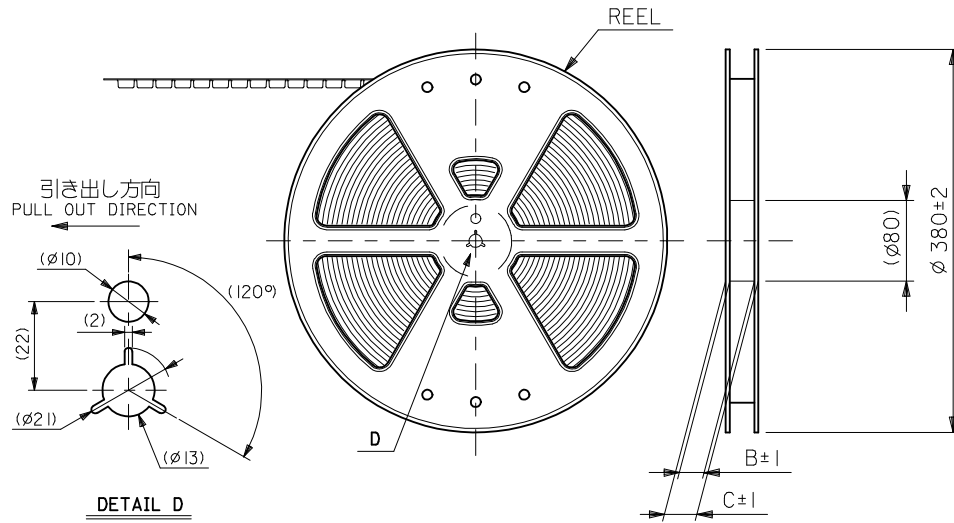


参考基板レイアウト (マウント面)  
P.C.BOARD PATTERN DIMENSION,  
(REFERENCE)  
(MOUNTING AREA)

SEE SHEET 1 OF 2 EC NO: J2015-0916 DRWN: YISHIDA 2015/01/15 CHKD: TASAKAWA 2015/01/15 APPR: KMORIKAWA 2015/02/18	GENERAL TOLERANCES (UNLESS SPECIFIED)			DIMENSION STYLE MM ONLY		SCALE ---	55909-**39	MODEL NO.
	0.25 UNDER	UNDER	± 0.03	DRAWN BY	DATE	TITLE	DESIGN UNITS METRIC	THIRD ANGLE PROJECTION
	0.25 OVER	0.5 UNDER	± 0.05	YISHIDA	2015/01/15	0.4 B-TO-B CONN. PLUG ASSY (HGT=1.5) WITH NAIL -LEAD FREE-	<b>molex</b>	DOCUMENT NO. SD-55909-007
	0.5 OVER	1.0 UNDER	± 0.1	TASAKAWA	2015/01/15			
	1.0 OVER	30 UNDER	± 0.2	APPROVED BY	DATE	SEE SHEET 1		
10 OVER	30 UNDER	± 0.25	KMORIKAWA	2015/02/18				
30 OVER		± 0.3	MATERIAL NO.					
ANGULAR	± 3 °		SIZE A3		THIS DRAWING CONTAINS INFORMATION THAT IS PROPRIETARY TO MOLEX INCORPORATED AND SHOULD NOT BE USED WITHOUT WRITTEN PERMISSION			
DRAFT WHERE APPLICABLE MUST REMAIN WITHIN DIMENSIONS								

NOTES

- 製品詳細寸法については製品単体図面を参照下さい。  
RE DETAILED DIMENSION, SEE PRODUCT DRAWING.
- 梱包数量：2500個/リール  
NUMBER OF CONNECTORS : 2500PCS/REEL
- リードテープ長さ LEAD TAPE LENGTH  
20PCS. MIN. トップテープ接着部 (空エンボス)  
TOP TAPE BONDED PART. (EMPTY)  
部品挿入部  
COMPONENT SUPPLIER  
末端部 (空部)  
TAIL PART  
400 MIN. 40 MIN.
- トップテープの剥離強度については、IEC60286-3 に準拠。  
TOP TAPE PEEL FORCE IS DEFINED BY IEC60286-3.
- 材料 MATERIAL  
キャリアテープ (CARRIER TAPE) : ポリプロピレン (POLYPROPYLENE)  
トップテープ (TOP TAPE) : PET, PE, PEF  
リール (REEL) : ポリスチレン (PS) <リサイクル材を含む>  
POLYSTYRENE (PS) <RECYCLE MATERIAL CONTAINED>
- ELV 及び RoHS 適合品。  
ELV AND RoHS COMPLIANT.



CONNECTOR SERIES No. 55909-\*\*39

RELEASED EC NO: J2015-0916 DRWN: YISHIDA 2015/01/15 CHKD: TASAKAWA 2015/01/15 APPR: KMORIKAWA 2015/02/18	GENERAL TOLERANCES (UNLESS SPECIFIED)			DIMENSION STYLE MM ONLY		SCALE ---	DESIGN UNITS METRIC	THIRD ANGLE PROJECTION	
	0.25 UNDER	UNDER	±0.03	DRAWN BY	DATE	TITLE			
	0.25 OVER	0.5 UNDER	±0.05	YISHIDA	2015/01/15	0.4 B-TO-B CONN PLUG ASSY(HGT=1.5) EMBSTP PKG			
	0.5 OVER	1.0 UNDER	±0.1	CHECKED BY	DATE				
	1.0 OVER	10 UNDER	±0.2	TASAKAWA	2015/01/15				
	10 OVER	30 UNDER	±0.25	APPROVED BY	DATE	DOCUMENT NO.			
30 OVER		±0.3	KMORIKAWA	2015/02/18	SD-55909-008				
ANGULAR	±3 °		MATERIAL NO.		SHEET NO.				
DRAFT WHERE APPLICABLE MUST REMAIN WITHIN DIMENSIONS			SIZE A3	THIS DRAWING CONTAINS INFORMATION THAT IS PROPRIETARY TO MOLEX INCORPORATED AND SHOULD NOT BE USED WITHOUT WRITTEN PERMISSION					

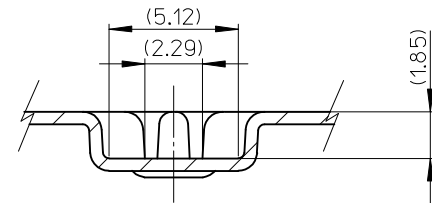
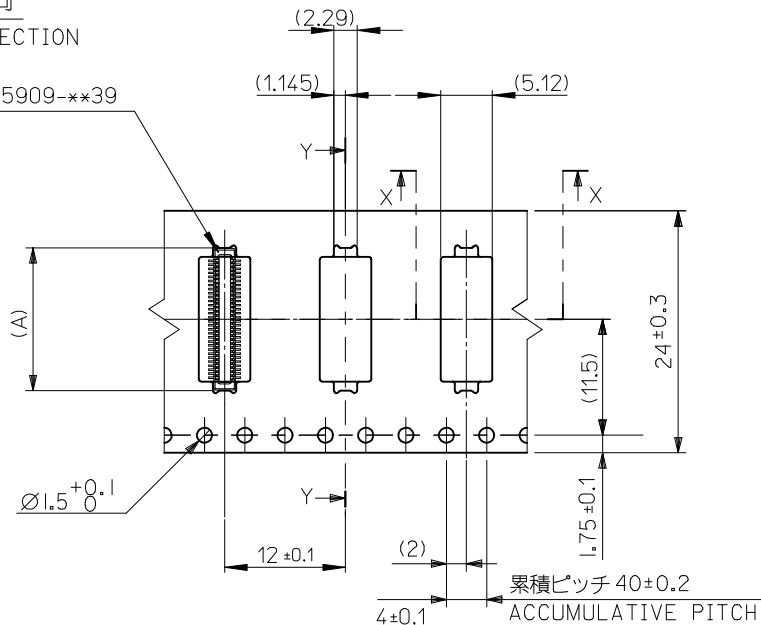
引き出し方向  
PULL OUT DIRECTION

トップテープ  
TOP TAPE

55909-\*\*\*39

0.5±0.05  
(2.6)

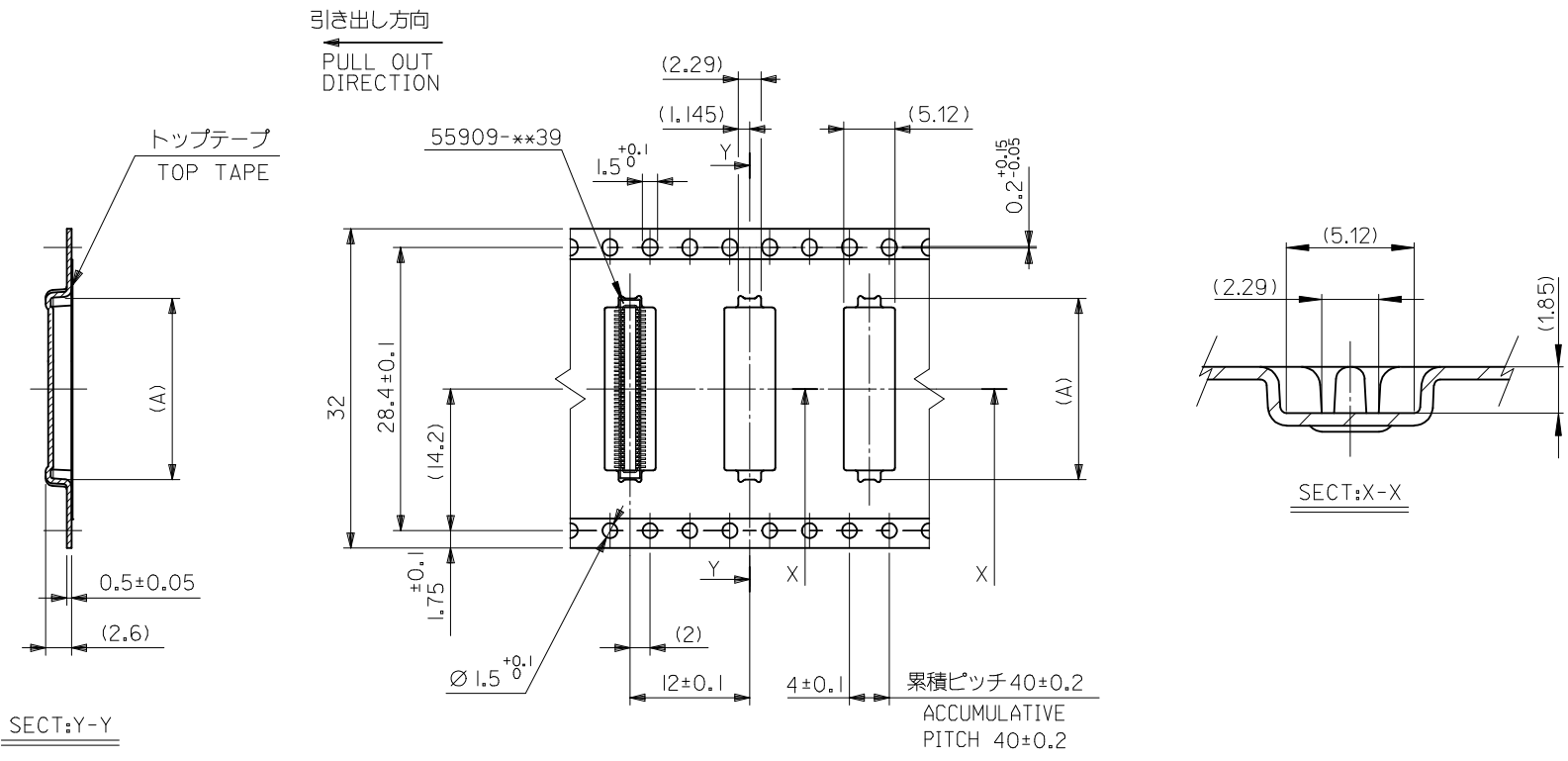
SECT. Y-Y



24	29.4	25.4	10.16 6.16	55909-0440 55909-0240	40 20
キャリアテープ幅 CARRIER TAPE WIDTH	C	B	(A)	MATERIAL NO.	CKT

CONNECTOR SERIES No. 55909-\*\*\*39

SEE SHEET 1 OF 3 EC NO: J2015-0916 DRWN: YISHIDA 2015/01/16 CHKD: TASAKAWA 2015/01/16 APPR: KMORIKAWA 2015/02/18	GENERAL TOLERANCES (UNLESS SPECIFIED)		DIMENSION STYLE MM ONLY		SCALE ---	DESIGN UNITS METRIC	THIRD ANGLE PROJECTION
	0.25 UNDER	UNDER	±0.03	DRAWN BY	DATE	TITLE	
	0.25 OVER	0.5 UNDER	±0.05	YISHIDA	2015/01/16	0.4 B-T0-B CONN PLUG ASSY(HGT=1.5) EMBSTP PKG	
	0.5 OVER	1.0 UNDER	±0.1	CHECKED BY	DATE	molex	
	1.0 OVER	10 UNDER	±0.2	TASAKAWA	2015/01/16	DOCUMENT NO.	SHEET NO.
10 OVER	30 UNDER	±0.25	APPROVED BY	DATE	SD-55909-008	2 OF 3	
30 OVER		±0.3	KMORIKAWA	2015/02/18	SEE CHART		
ANGULAR	±3 °		MATERIAL NO.		THIS DRAWING CONTAINS INFORMATION THAT IS PROPRIETARY TO MOLEX INCORPORATED AND SHOULD NOT BE USED WITHOUT WRITTEN PERMISSION		
DRAFT WHERE APPLICABLE MUST REMAIN WITHIN DIMENSIONS			SIZE A3				



32mm幅キャリアテープ  
32mm WIDTH CARRIER TAPE

32	37.4	33.4	18.16	55909-0840	80
キャリアテープ幅 CARRIER TAPE WIDTH	C	B	(A)	MATERIAL NO.	極数 CKT.

SEE SHEET 10F 3 EC NO: J2015-0916 DRWN: YISHIDA 2015/01/16 CHKD: TASAKAWA 2015/01/16 APPR: KMORIKAWA 2015/02/18	GENERAL TOLERANCES (UNLESS SPECIFIED)		DIMENSION STYLE MM ONLY		SCALE ---	DESIGN UNITS METRIC	MODEL NO. 55909-**39	THIRD ANGLE PROJECTION
	0.25 UNDER	UNDER	±0.03	DRAWN BY YISHIDA	DATE 2015/01/16	TITLE 0.4 B-TO-B CONN PLUG ASSY(HGT=1.5) EMBSTP PKG		
	0.25 OVER	0.5 UNDER	±0.05	CHECKED BY TASAKAWA	DATE 2015/01/16			
	0.5 OVER	1.0 UNDER	±0.1	APPROVED BY KMORIKAWA	DATE 2015/02/18	DOCUMENT NO. SD-55909-008		
	1.0 OVER	30 UNDER	±0.2	MATERIAL NO.				
30 OVER		±0.3	SEE CHART		SHEET NO. 3 OF 3			
ANGULAR ±3 °			DRAFT WHERE APPLICABLE MUST REMAIN WITHIN DIMENSIONS		THIS DRAWING CONTAINS INFORMATION THAT IS PROPRIETARY TO MOLEX INCORPORATED AND SHOULD NOT BE USED WITHOUT WRITTEN PERMISSION			