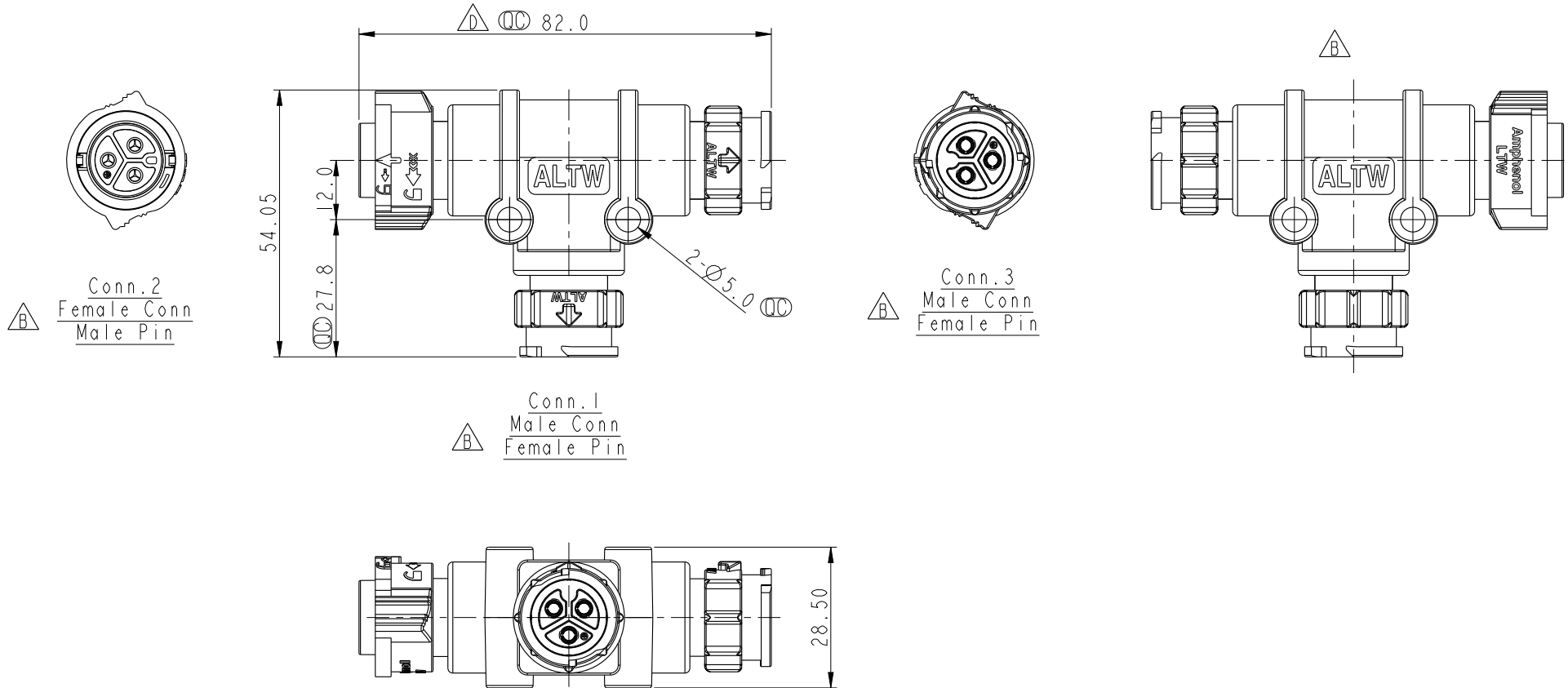

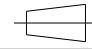


REV.	ECN NO.	DATE	SIGN	DESCRIPTION
B	C191866	2019-11-06	Ouyang	△B X8
C	C192112	2019-12-11	Ouyang	△C x2
D	C200958	2020-06-19	Ouyang	△D x1



- * \varnothing Important Dimension
- * Waterproof Rating: IP68 (1M/24Hours)
- * Housing & Nut: Nylon+GF, Black.
- * O-Ring: Silicone, Gray
- * Pins: Copper Alloy, Gold Plated.

UNIT:mm  
 TOLERANCE
 $\pm 0.5\text{mm}$

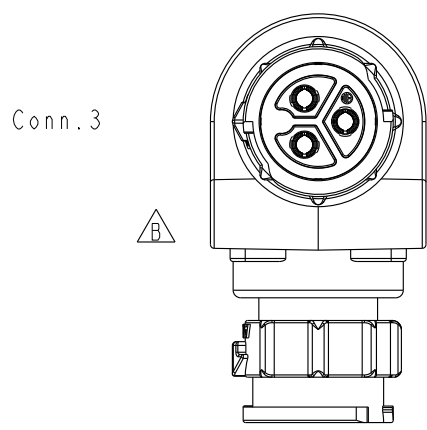
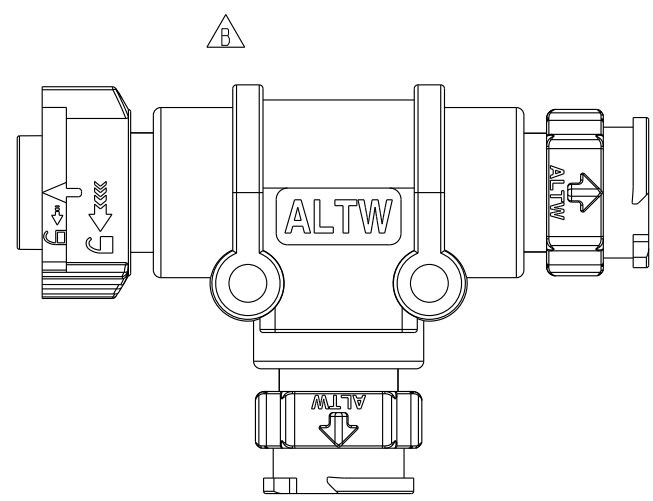
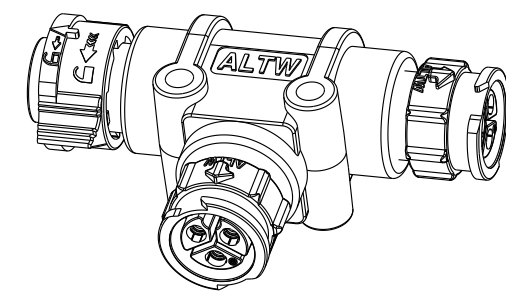
TITLE T Adaptor X-Lok, C Size			
SCALE 1:1	SIZE A4	SHEET 1 OF 2	
REV. D	WC-REV. .0	\varnothing : Inspection item	

Amphenol LTW
 安費諾亮泰企業股份有限公司

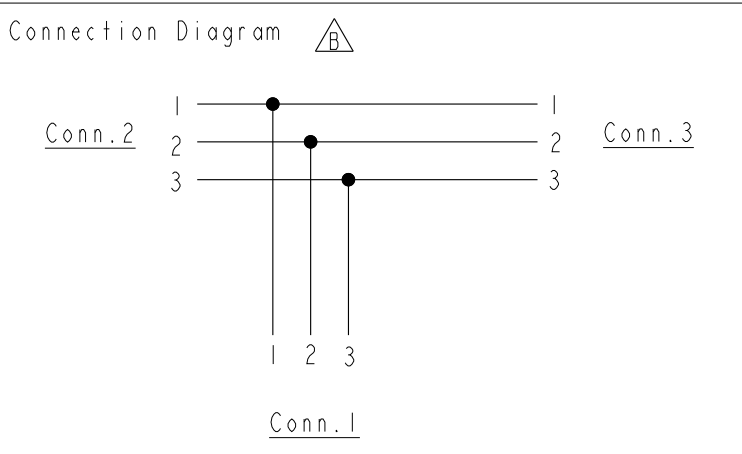
ITEM NO	DRAWN BY Ouyang	DATE 2019-08-02
DWG NO AB-CC-XXXXXX-HBH-TQ001	CHECKED BY Jerry	DATE 2019-08-02
CUSTOMER ALTW	APPROVED BY Fred	DATE 2019-08-02

THIS DOCUMENT IS SUBJECT TO CHANGE WITHOUT NOTICE. IT IS CONFIDENTIAL AND A PROPERTY OF Amphenol LTW. DISCLOSURE TO THIRD PARTY HAS TO BE AUTHORIZED BY Amphenol LTW.

THIS DOCUMENT IS SUBJECT TO CHANGE WITHOUT NOTICE. IT IS CONFIDENTIAL AND A PROPERTY OF Amphenol LTW. DISCLOSURE TO THIRD PARTY HAS TO BE AUTHORIZED BY Amphenol LTW.



	Pin Assignments Front View			
	2 Pin		3 Pin	
Male				
Female				
Pin Out	Pin#	Color	Pin#	Color
	Pin1 Pin3	White 白 Black 黑	Pin1 Pin2 Pin3	White 白 Green 綠 Black 黑



AB-CC-XXXXXX-HBH-TQ001

Connector Type:
 02: 2Pin
 03: 3Pin

UNIT:mm		TITLE T Adaptor X-Lok, C Size
TOLERANCE ±0.5mm	SCALE 1:1	SIZE A4
	REV. D	SHEET 2 OF 2
	WC-REV. .0	: Inspection item

Amphenol LTW
 安費諾亮泰企業股份有限公司

ITEM NO	DRAWN BY Ouyang	DATE 2019-08-02
DWG NO AB-CC-XXXXXX-HBH-TQ001	CHECKED BY Jerry	DATE 2019-08-02
CUSTOMER ALTW	APPROVED BY Fred	DATE 2019-08-02