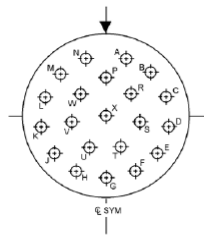


Contact Layout

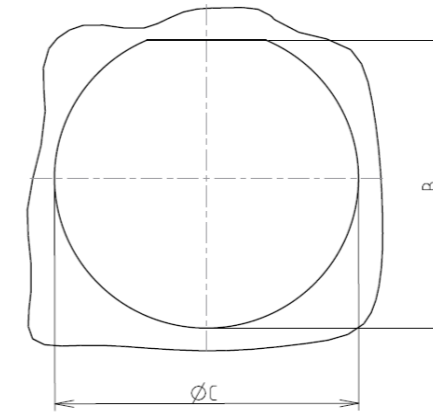


Contacts (Insert arrangement 23-21)					
Contact position ID	Location		Contact position ID	Location	
	X-axis (mm)	Y-axis (mm)		X-axis (mm)	Y-axis (mm)
A	+128 (3.25)	+385 (9.78)	M	-289 (7.34)	+285 (7.24)
B	+289 (7.34)	+285 (7.24)	N	-128 (3.25)	+385 (9.78)
C	+386 (9.80)	+123 (3.12)	P	+000 (0.00)	+245 (6.22)
D	+400 (10.16)	-.065 (1.65)	R	+160 (4.06)	+146 (3.71)
E	+328 (8.33)	-.239 (6.07)	S	+214 (5.44)	-.035 (0.89)
F	+183 (4.65)	-.362 (9.19)	T	+.094 (2.39)	-.194 (4.93)
G	+000 (0.00)	-.406 (10.31)	U	-.094 (2.39)	-.194 (4.93)
H	-.183 (4.65)	-.362 (9.19)	V	-.214 (5.44)	-.035 (0.89)
J	-.328 (8.33)	-.239 (6.07)	W	-.160 (4.06)	+146 (3.71)
K	-.400 (10.16)	-.065 (1.65)	X	+000 (0.00)	+000 (0.00)
L	-.386 (9.80)	+123 (3.12)	---	---	---

Shell size	Arrangement no.	Number of contacts	Size contacts	Service rating	Contact location	Supersedes
23	-21	21	16	II	All	MS20056-21

Panel cutout

JAM NUT RECEPTACLE (TYPE 7)



Dim	Nominal
B	40.26+0/-0.25
ØC	41.53+0.25/-0

SOURIAU shall not be liable for any non-conformity or damage due to a use of the Products which does not comply with the Specifications issued by either of the Parties or by a third party (professional recommendation, technical notice.)

Country	Jurisdiction & Control List
FR	Not Listed

PN: 8D723W21PC

A	01-10-2016	First Release	
ISS	DATE	Latest modification - by	MOD N°
Designed By:		Date:	CUSTOMER DRAWING
TITLE	Aluminium Receptacle 8D series		
SCALE		General linear Tolerances:	NPRDS / PROJECT
NA		±--	859
SOURIAU	WWW.SOURIAU.COM		This document is the property of SOURIAU it must not be reproduced or communicated without permission
FORMAT	SOURIAU DRG N° 8D723W21PC-C		SHEET 2/2