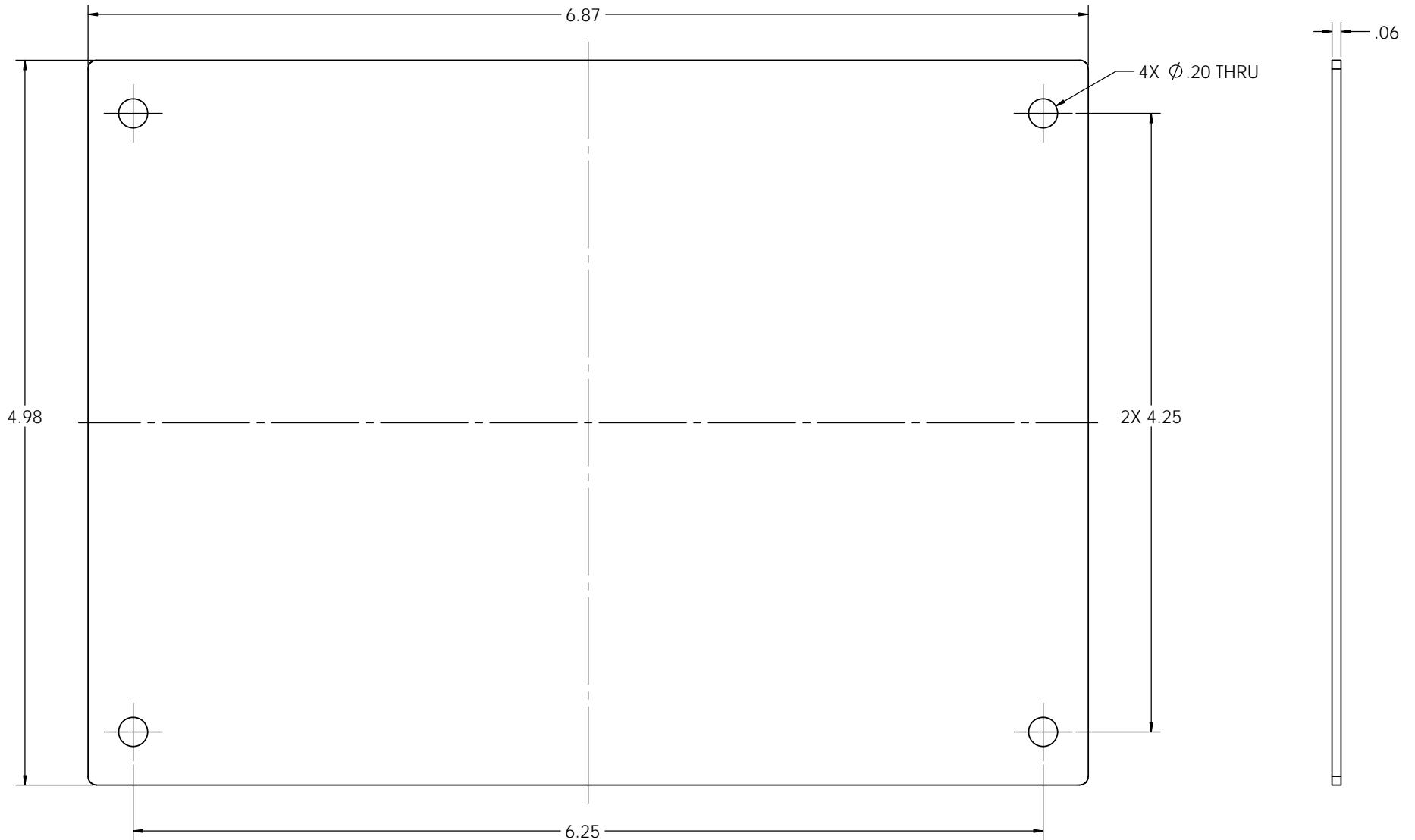


# 7100B Bottom Panel Kit for I150HL and I150HS

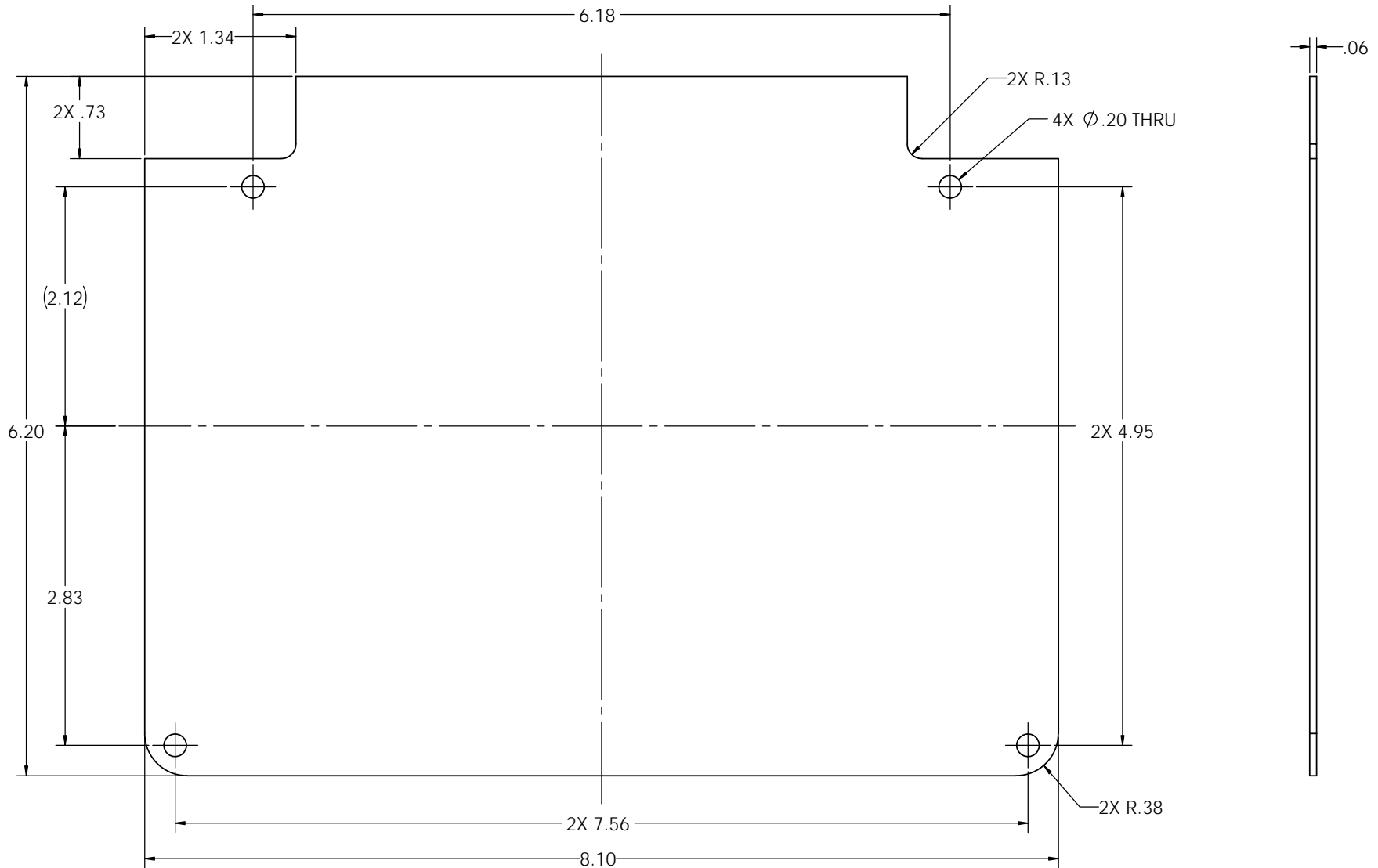


PARTS INCLUDED		
P/N	Qty.	Description
71000	1	Bottom Aluminum Panel
6029	4	#10 X 3/8" Pan Head Screw, 18-8 SS

ALL DIMENSIONS ARE  $\pm$  .010" 8/3/16

2009 Wright Ave. La Verne, CA 91750  
Ph. (626) 331-0517 Fx. (626) 331-8584 serpac.com

# 7100TH Hinged Panel Kit for I150HL and I150HS

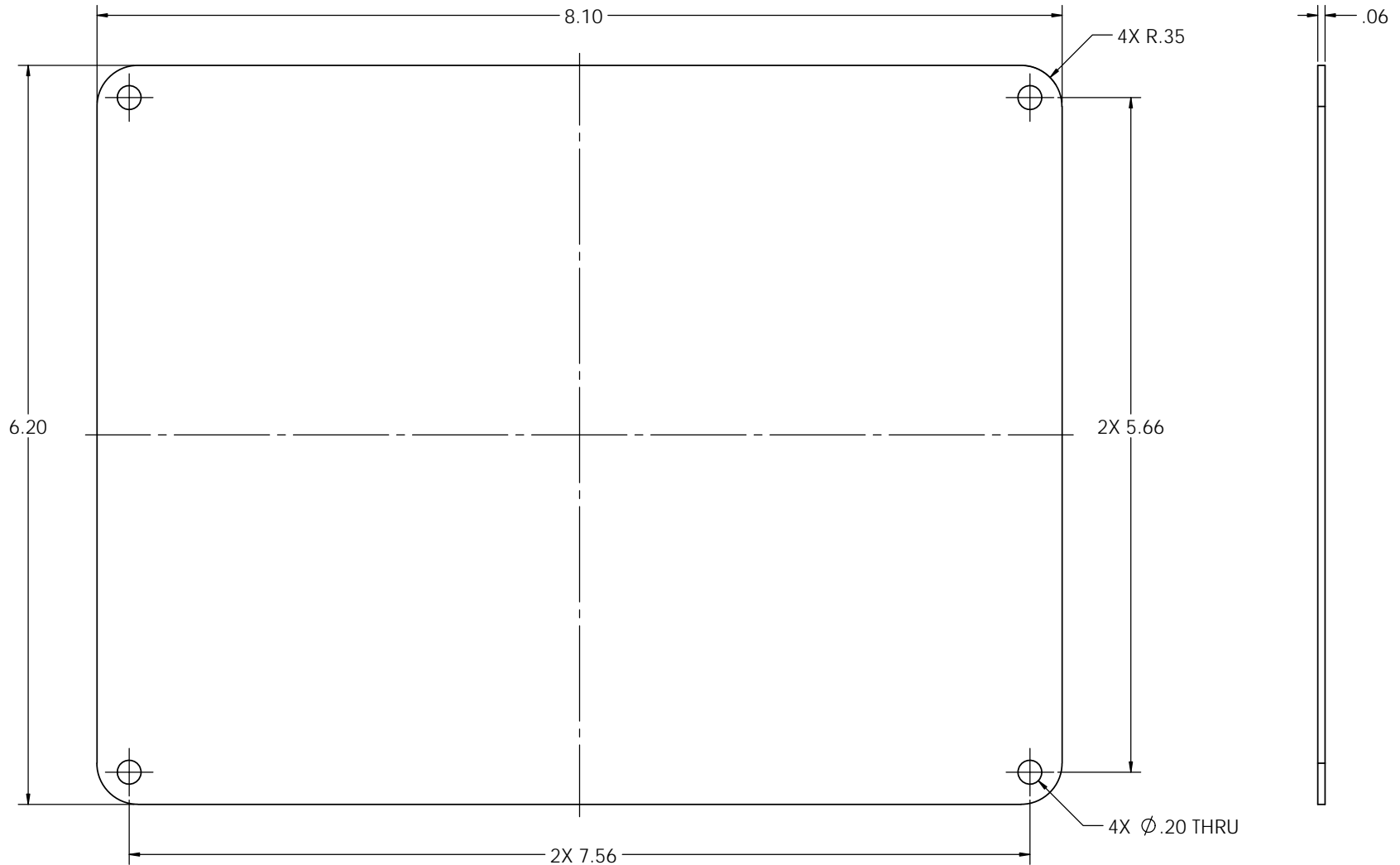


PARTS INCLUDED		
P/N	Qty.	Description
71020	1	Hinged Top Aluminum Panel
6029	2	#10 X 3/8" Pan Head Screw, 18-8 SS
6030	2	#10 X 3/8" Pan Combo Screw, 18-8 SS
6105	2	#10-32 X 1/8" Nut, 18-8 SS

ALL DIMENSIONS ARE  $\pm .010"$

8/3/16

# 7100T Top Panel Kit for I150HL and I150HS



PARTS INCLUDED		
P/N	Qty.	Description
71040	1	Main Top Aluminum Panel
6029	4	SS #10 X 3/8" Pan HL Screw