

4

3

2

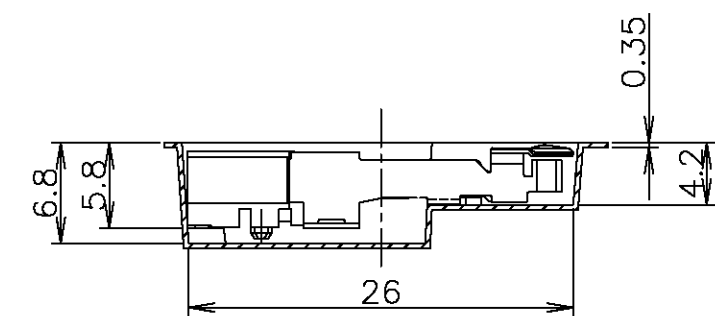
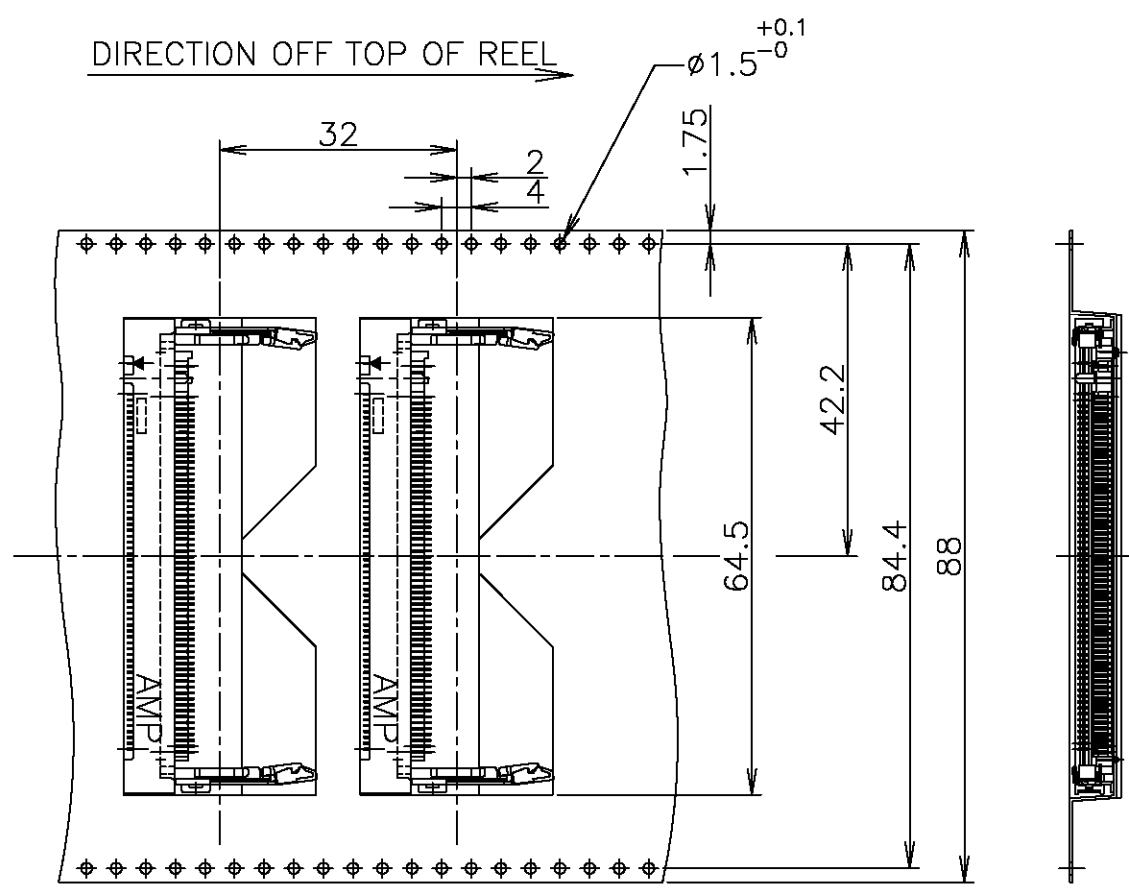
1

THIS DRAWING IS UNPUBLISHED. RELEASED FOR PUBLICATION
 © COPYRIGHT BY TYCO ELECTRONICS CORPORATION. ALL RIGHTS RESERVED.

LOC	DIST	REVISIONS			
P	LTR	DESCRIPTION	DATE	DWN	APVD
J	-	RELEASED	FJB0-1113-04	25AUG2004	J.Z I.E

D

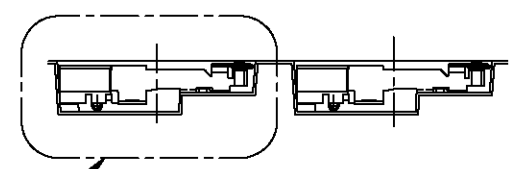
D



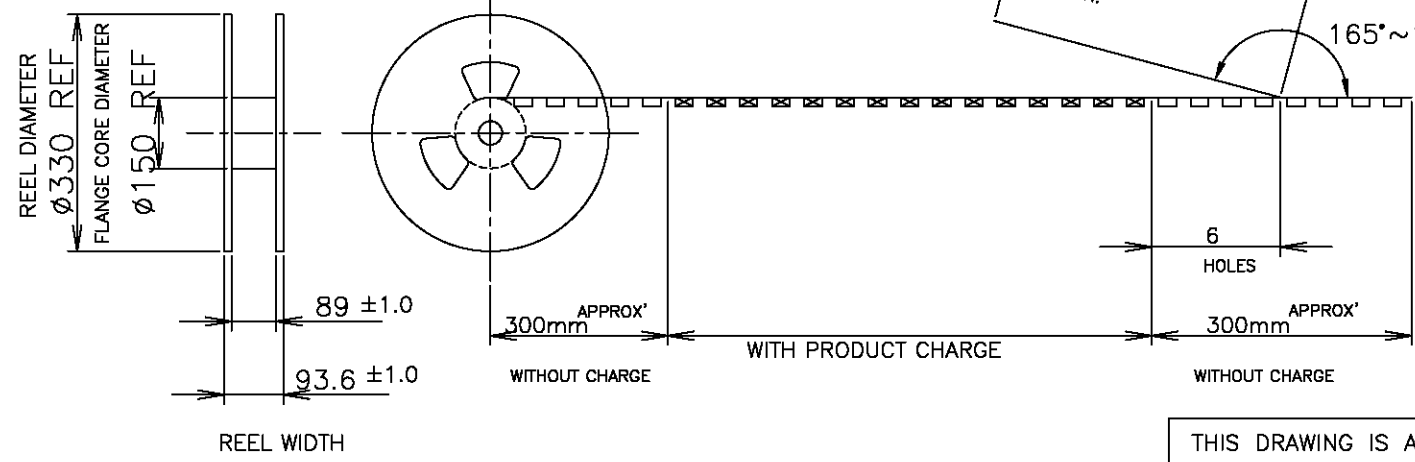
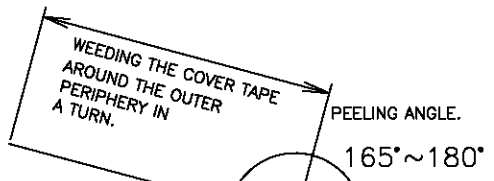
DETAIL A
(SCALE 2:1)

C

C



SEE DETAIL A



REEL WIDTH

LEAD FREE

THIS DRAWING IS A CONTROLLED DOCUMENT.

DIMENSIONS: MM	TOLERANCES UNLESS OTHERWISE SPECIFIED:
	0 PLC ± -
	1 PLC ± -
	2 PLC ± -
	3 PLC ± -
	4 PLC ± -
	ANGLES ± -
MATERIAL	FINISH

GENERAL TOLERANCE
 10 ≥ : ±0.2
 30 ≥ > 10: ±0.25
 100 ≥ > 30: ±0.3
 ANGLES: ±3°

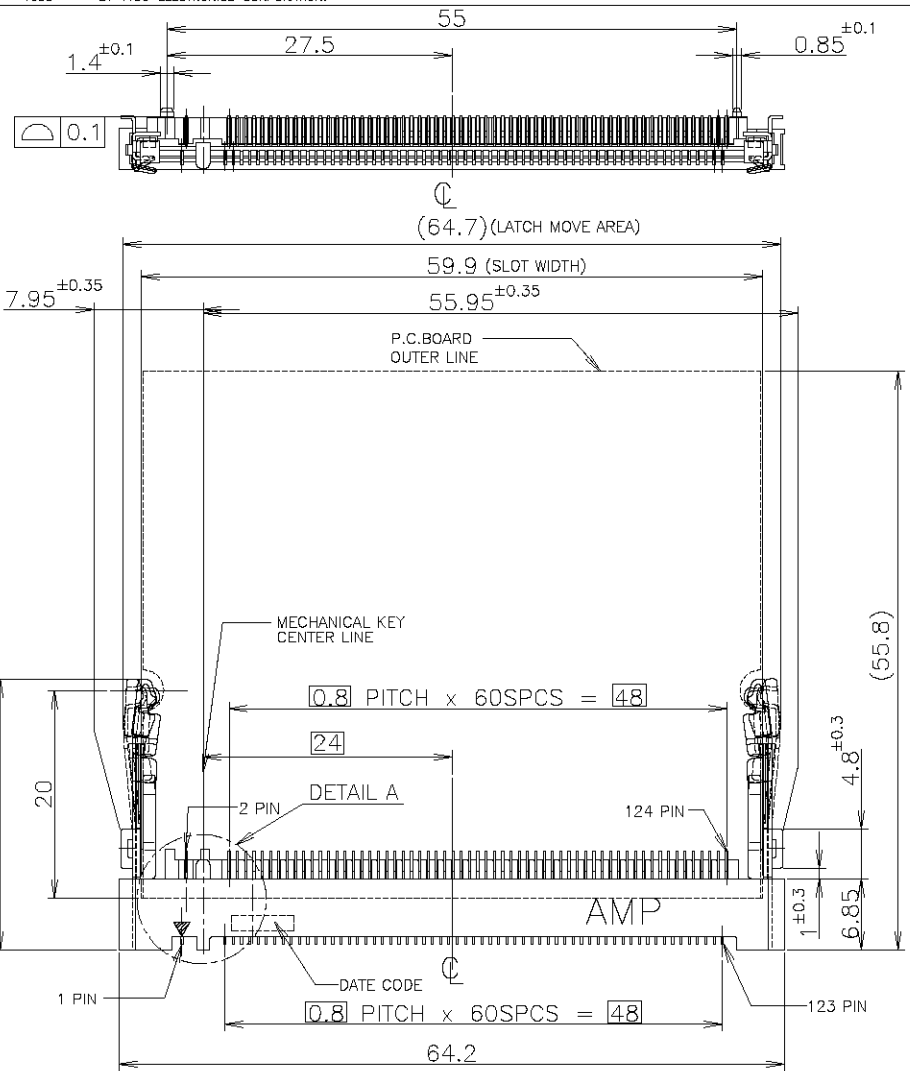
DWN	25AUG2004
CHK	Julyee Zhu
APVD	25AUG2004
APVD	Steven Yao
PRODUCT SPEC	Ikuo Enomoto
APPLICATION SPEC	108-60039
WEIGHT	
CUSTOMER DRAWING	

180		1485678-5		6674161-1	
QTY		EMBOSS P/N		P/N	
Tyco Electronics AMP K.K. Kawasaki, Japan					
NAME					
EMBOSS ASSY FAXMODEM SOCKET 124POS. 5.2mm HEIGHT					
SIZE	CAGE CODE	DRAWING NO	RESTRICTED TO		
A3	00779	6674161			
SCALE 1:1			SHEET 1 OF 5	REV 0	

A

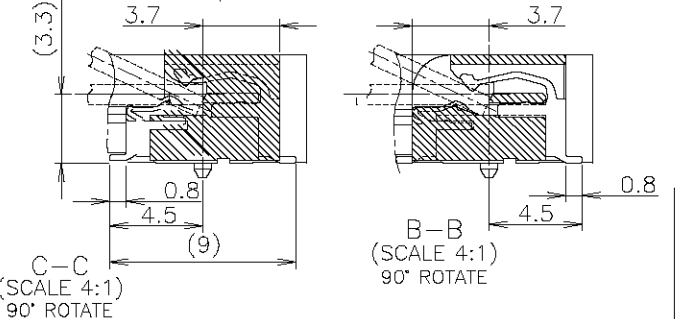
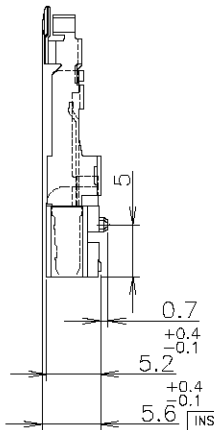
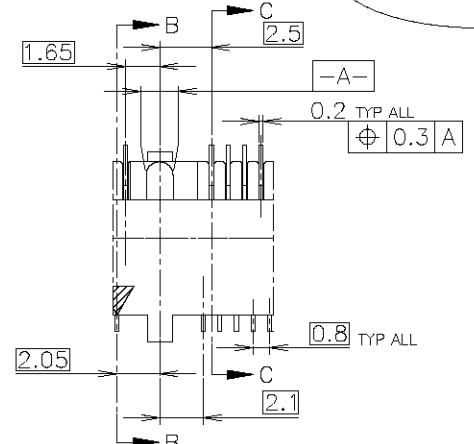
A

LOC	DIST	REVISIONS					
J	-	P	LTR	DESCRIPTION	DATE	DWN	APVD
		-		SEE SHEET 1	-	-	-



- MATERIAL; HOUSING: HIGH TEMPERATURE THERMO PLASTIC UL94V-0
 COLOR: BLACK.
 CONTACT: PHOS-BRZ
 LOCK LEVER: SUS TIN PLATING.
- FINISH; CONTACT AREA: GOLD FLASH ON
 0.0013 MIN ALL OVER NICKEL.
 SOLDERING AREA: GOLD FLASH PLT.
- TOLERANCES NON-CUMMURATIVE.

LEAD FREE



GENERAL TOLERANCE
 10 ≥ : ±0.2
 30 ≥ > 10: ±0.25
 100 ≥ > 30: ±0.3
 ANGLES: ±3°

THIS DRAWING IS A CONTROLLED DOCUMENT.

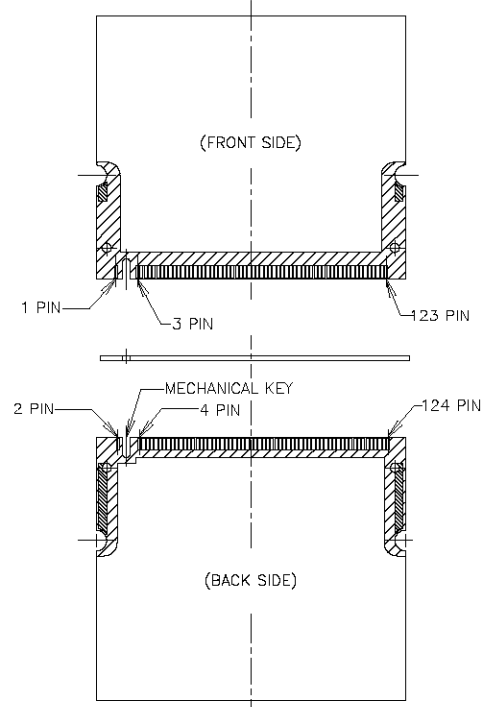
DIMENSIONS:	TOLERANCES UNLESS OTHERWISE SPECIFIED:
MM	
0 PLC	±
1 PLC	±
2 PLC	±
3 PLC	±
4 PLC	±
ANGLES	±
FINISH	

INSTRUCTION SHEET	411-5882
DWN	-
CHK	-
APVD	-
PRODUCT SPEC	108-5627
APPLICATION SPEC	
WEIGHT	
CUSTOMER DRAWING	

DETAIL A (SCALE 4:1)	5.2	6674161-1
HEIGHT	P/N	
tyco Electronics Tyco Electronics AMP K.K. Kawasaki, Japan		
NAME 0.8MM PITCH FAX MODEM SOCKET 124 POSITIONS 5.2MM HEIGHT		
SIZE	CAGE CODE	DRAWING NO
A3	00779	C-6674161
RESTRICTED TO	SCALE	SHEET
	2:1	2 OF 5
		REV 0

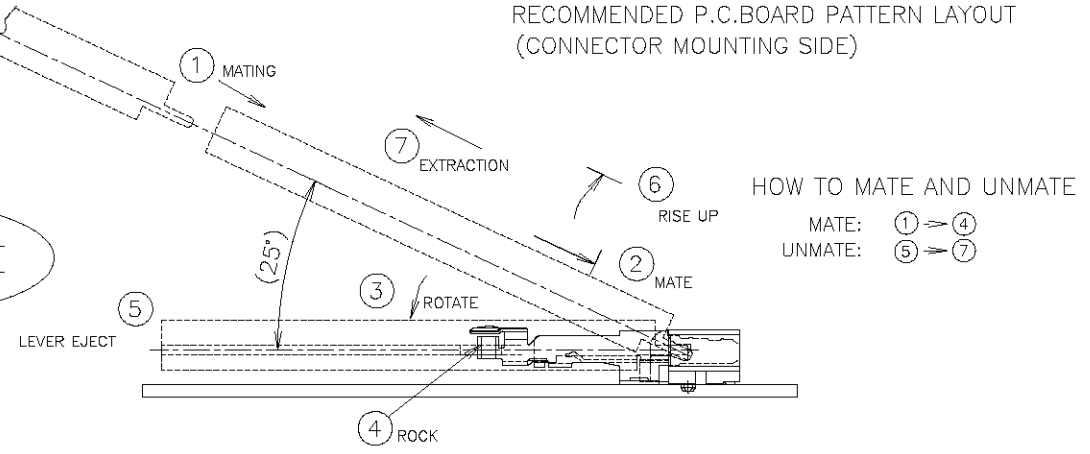
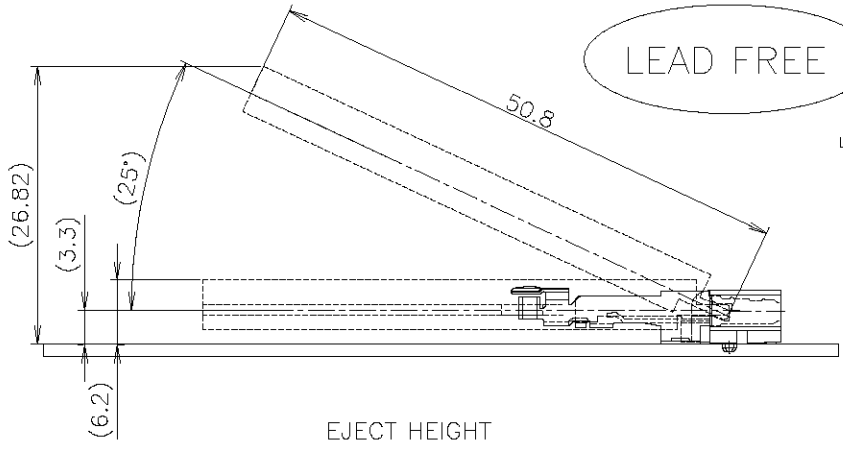
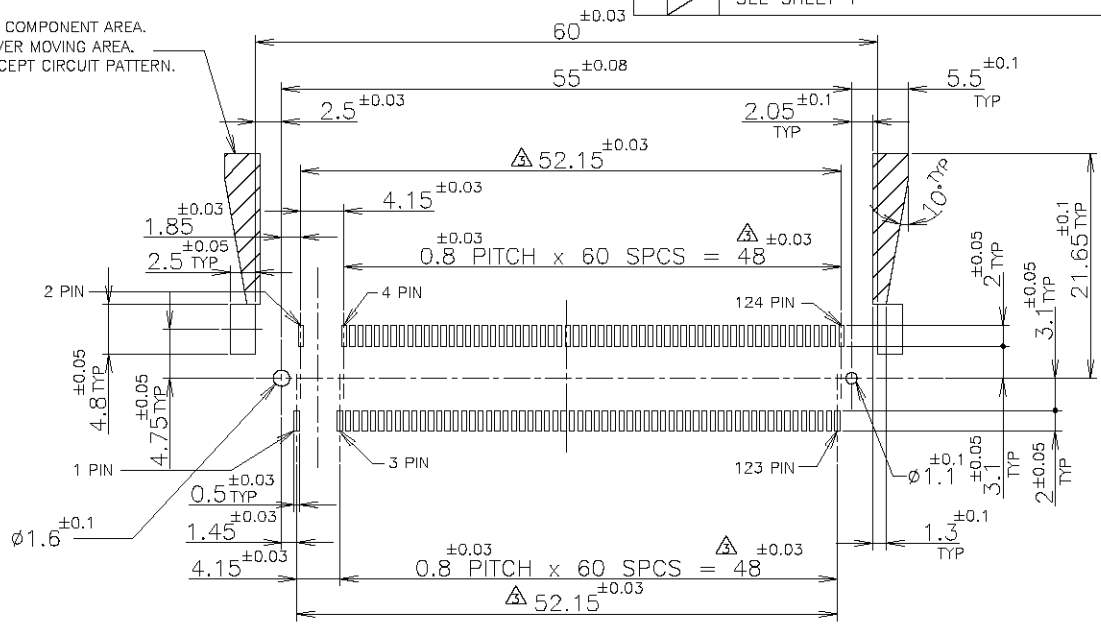
THIS DRAWING IS UNPUBLISHED. RELEASED FOR PUBLICATION - .1999.
 © COPYRIGHT 1999 BY TYCO ELECTRONICS CORPORATION. ALL RIGHTS RESERVED.

LOC	DIST	REVISIONS			DATE	DWN	APVD
J	-	P	LTR	DESCRIPTION			
				SEE SHEET 1			



CIRCUIT POSITION OF S.O.DIMM
(SCALE 1:1)

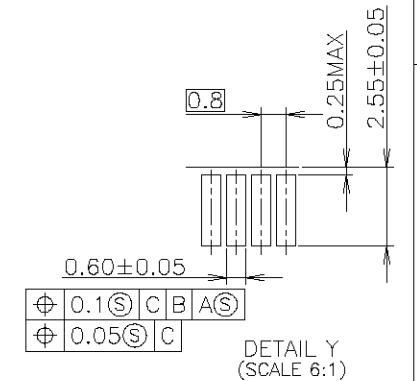
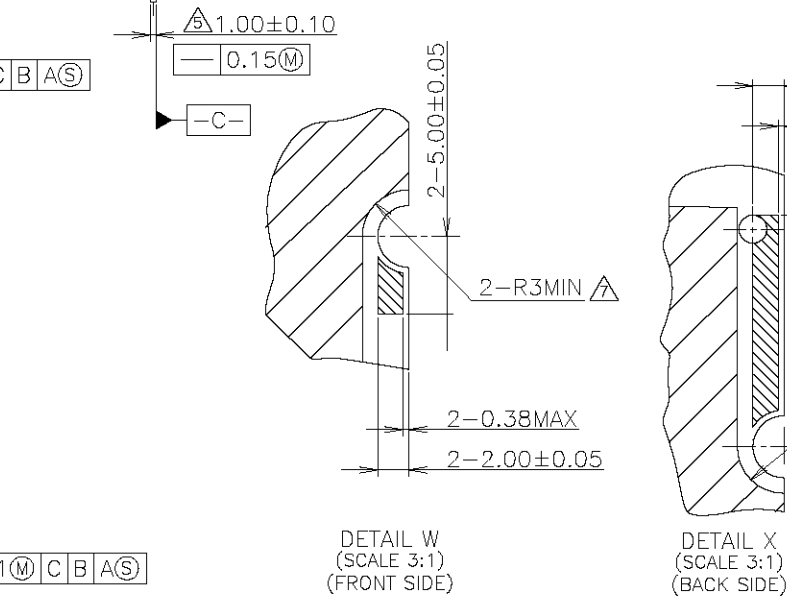
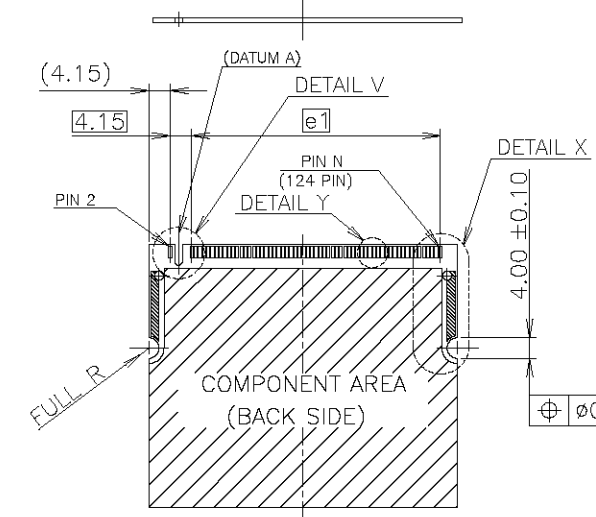
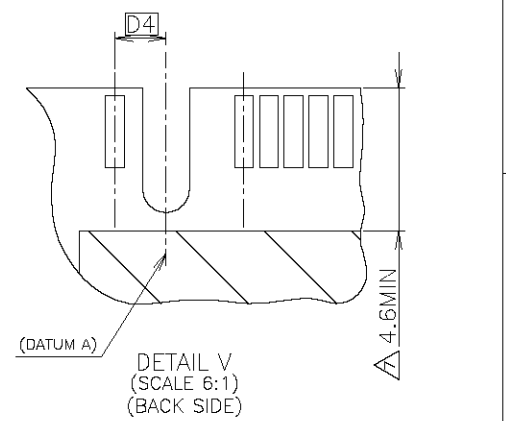
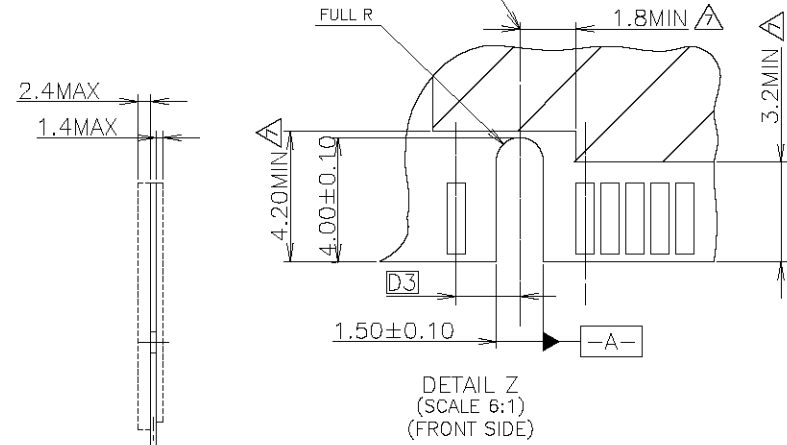
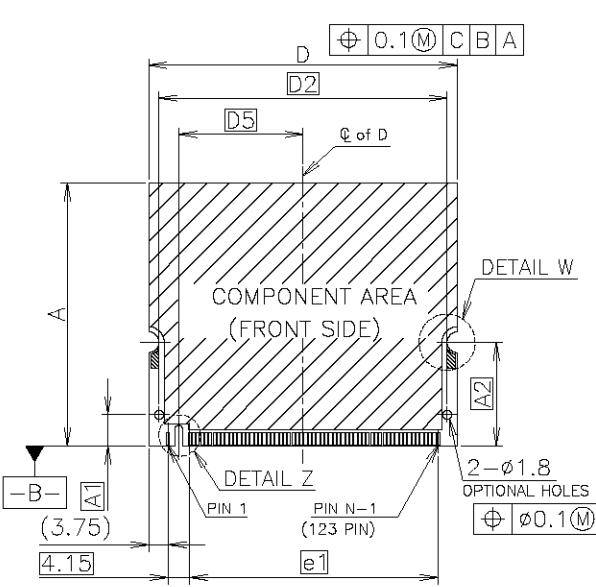
NO COMPONENT AREA.
LEVER MOVING AREA.
ACCEPT CIRCUIT PATTERN.



THIS DRAWING IS A CONTROLLED DOCUMENT.		DWN	tyco Electronics		Tyco Electronics AMP K.K. Kawasaki, Japan	
DIMENSIONS: MM		CHK	NAME		0.8MM PITCH FAX MODEM SOCKET 124POSITIONS 5.2MM HEIGHT	
TOLERANCES UNLESS OTHERWISE SPECIFIED:		APVD	SIZE	CAGE CODE	DRAWING NO	RESTRICTED TO
0 PLC	±	PRODUCT SPEC	A3	00779	C-6674161	
1 PLC	±	APPLICATION SPEC	CUSTOMER DRAWING		SCALE	SHEET
2 PLC	±	WEIGHT			2:1	3 OF 5
3 PLC	±					REV
4 PLC	±					0
ANGLES	±					
FINISH						

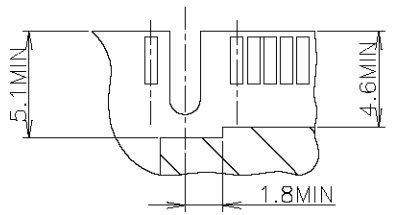
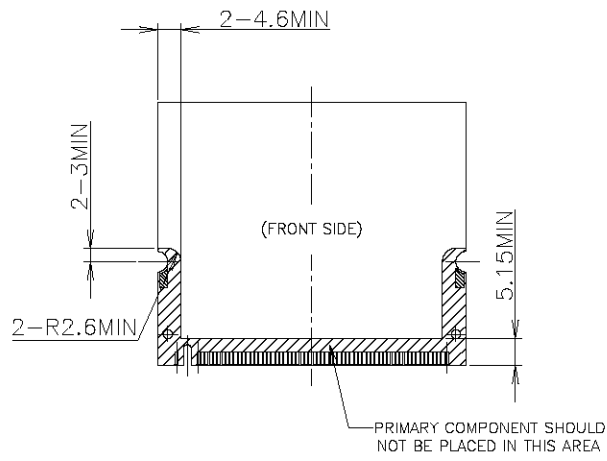
THIS DRAWING IS UNPUBLISHED. RELEASED FOR PUBLICATION
 © COPYRIGHT 1999 BY TYCO ELECTRONICS CORPORATION. ALL RIGHTS RESERVED.

LOC	DIST	REVISIONS					
J	-	P	LTR	DESCRIPTION	DATE	DWN	APVD
				SEE SHEET 1			

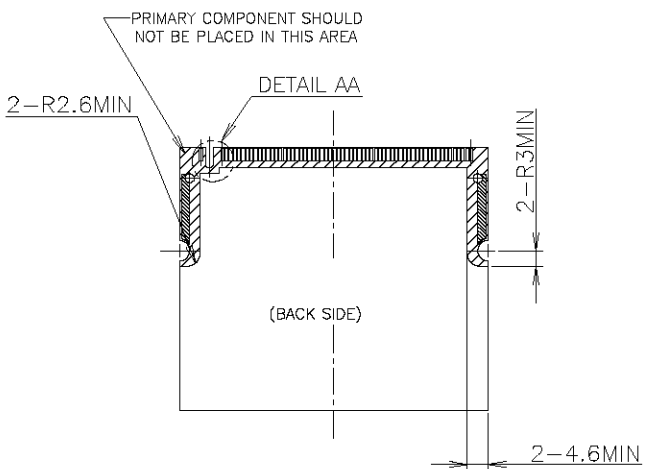


LEAD FREE

THIS DRAWING IS A CONTROLLED DOCUMENT.		DWN	tyco		Tyco Electronics AMP K.K.	
DIMENSIONS: MM		CHK	Electronics		Kawasaki, Japan	
TOLERANCES UNLESS OTHERWISE SPECIFIED:		APVD	NAME		0.8MM PITCH FAX MODEM SOCKET	
0 PLC ±		PRODUCT SPEC	APPLICATION SPEC		124 POSITIONS	
1 PLC ±		WEIGHT	SIZE		5.2MM HEIGHT	
2 PLC ±		CUSTOMER DRAWING	CAGE CODE		DRAWING NO	
3 PLC ±			A3 00779		C-6674161	
4 PLC ±			RESTRICTED TO			
ANGLES ±			SCALE		SHEET	
FINISH ±			1:1		4 OF 5	
			REV		0	



DETAIL AA (SCALE 4:1) (BACK SIDE)



LEAD FREE

- 4 TOLERANCES ON ALL DIMENSIONS ± 0.15 UNLESS OTHERWISE SPECIFIED.
- 5 CARD THICKNESS APPLIES ACROSS TABS AND INCLUDES PLATING AND/OR METALIZATION.
- 6 APPLICATION NOTE:
 GOLD CONTACT PAD : ELECTROLESS GOLD PLATING 0.05 μ m MIN.
 OVER ELECTROLESS Ni PLATING 2 μ m MIN.
- 7 BORDER OF COMPONENT AREA.

SYMBOL	VARIATIONS ALL DIMENSIONS IN mm					
	NORMAL HEIGHT 44.45			NORMAL HEIGHT 50.80		
	AA			BA		
	MIN	NOM	MAX	MIN	NOM	MAX
A	44.3	44.45	44.60	50.65	50.80	50.95
A1	6.00	BSC		6.00	BSC	
A2	20.00	BSC		20.00	BSC	
D	59.45	59.6	59.75	59.45	59.6	59.75
D1	1.30	BSC		1.30	BSC	
D2	55.60	BSC		55.60	BSC	
D3	2.05	BSC		2.05	BSC	
D4	1.65	BSC		1.65	BSC	
D5	24.00	BSC		24.00	BSC	
e1	48.00	BSC		48.00	BSC	
N		124			124	

THIS DRAWING IS A CONTROLLED DOCUMENT.

DIMENSIONS: MM	TOLERANCES UNLESS OTHERWISE SPECIFIED:	DWN		Tyco Electronics AMP K.K. Kawasaki, Japan
0 PLC \pm	1 PLC \pm	CHK		NAME
MATERIAL	FINISH	APVD	SIZE	A3
		PRODUCT SPEC	CAGE CODE	00779
		APPLICATION SPEC	DRAWING NO	C-6674161
		WEIGHT	RESTRICTED TO	
		CUSTOMER DRAWING	SCALE	1:1
			SHEET	5 OF 5
			REV	0