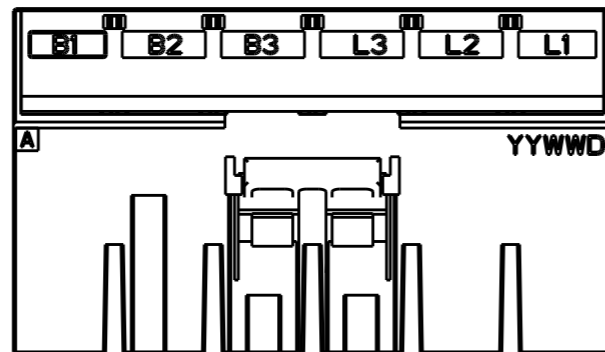
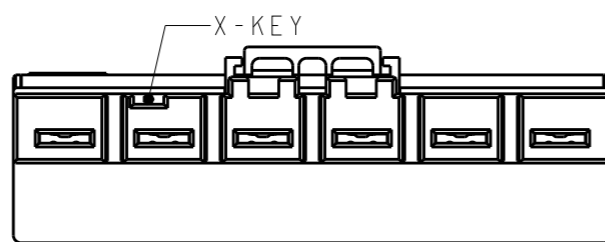


P	LTR	DESCRIPTION	DATE	DWN	APVD
	A	RELEASED	08MAY2020	M. J	E. I

6-2260663-1
(6POS X KEY)

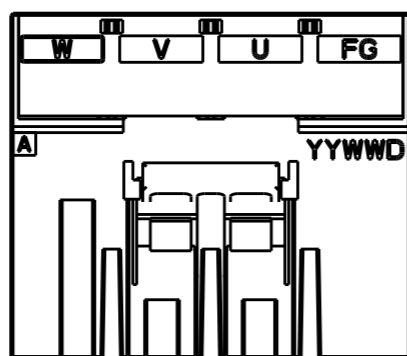


IPIN

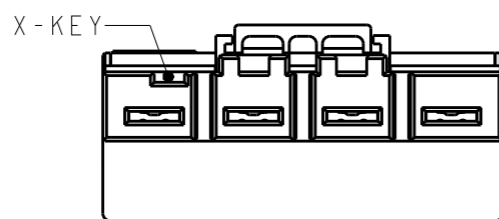


- ① CONTACT POINT TO HDR CONNECTOR : GOLD PLATING UNDER Ni PLATING
- ② CONTACT POINT TO WIRE : TIN PLATING UNDER Ni PLATING

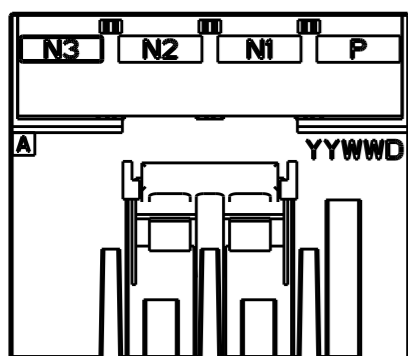
4-2260663-1
(4POS X KEY)



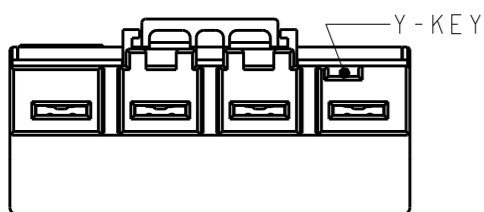
IPIN



4-2260663-2
(4POS Y KEY)



IPIN



P/N			QTY	FINISH	MATERIAL	KEY	POS	NAME	ITEM
6-2260663-1	4-2260663-2	4-2260663-1							
6	4	4			STAINLESS STEEL			SPRING	⑥
6	4	4		① ②	COPPER ALLOY			REC CONTACT	⑤
1					THERMO PLASTIC, POLYESTER (UL94V-0), COLOR:BLACK		6	COVER HOUSING	④
	1	1				4	③		
1					THERMO PLASTIC, POLYESTER (UL94V-0), COLOR:BLACK	X	6	HOUSING	②
	1					Y	4	HOUSING	①
		1				X	4		①

THIS DRAWING IS A CONTROLLED DOCUMENT.

DIMENSIONS: mm	TOLERANCES UNLESS OTHERWISE SPECIFIED:
	0 PLC ±0.3
	1 PLC ±0.3
	2 PLC ±0.3
	3 PLC ±0.3
	4 PLC ±0.3
	ANGLES ±3°
MATERIAL SEE TABLE	FINISH SEE TABLE

DWN	08MAY2020
M. JIANG	
CHK	08MAY2020
T. SHIMOYASU	
APVD	08MAY2020
F. IKEMATSU	
PRODUCT SPEC	108-140022
APPLICATION SPEC	408-78067
WEIGHT	-

TE TE Connectivity

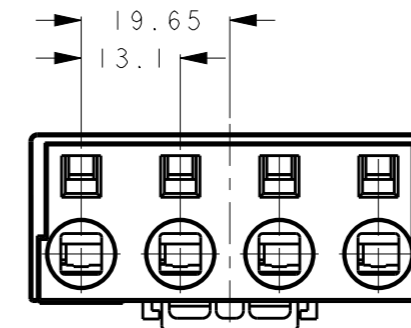
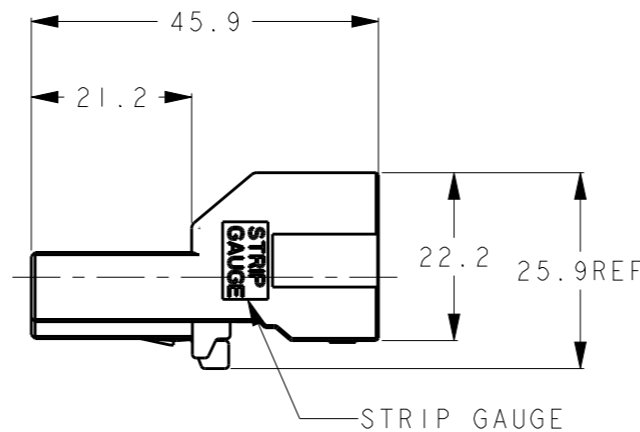
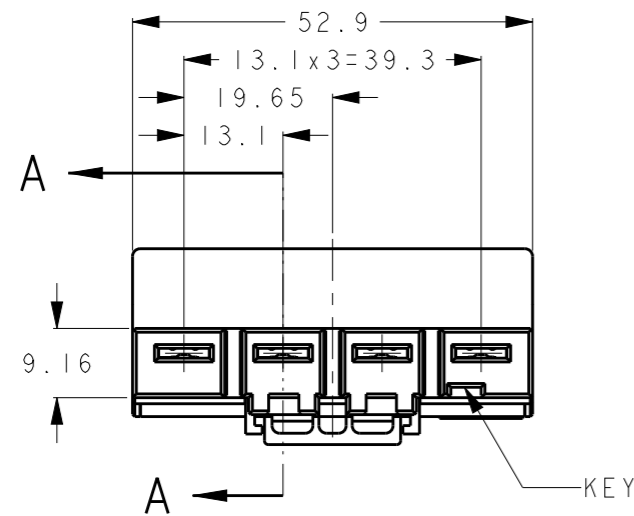
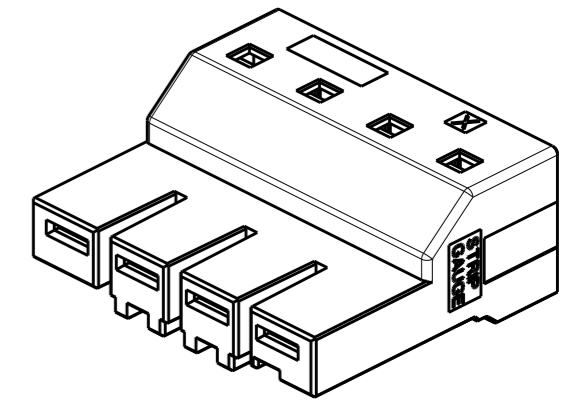
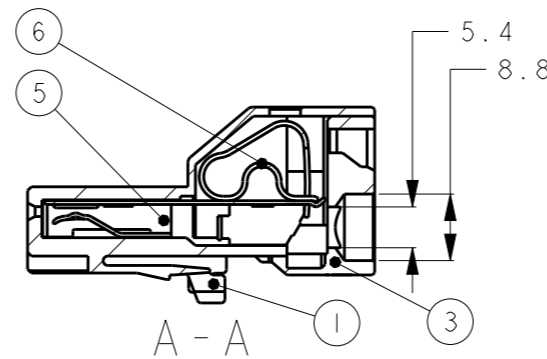
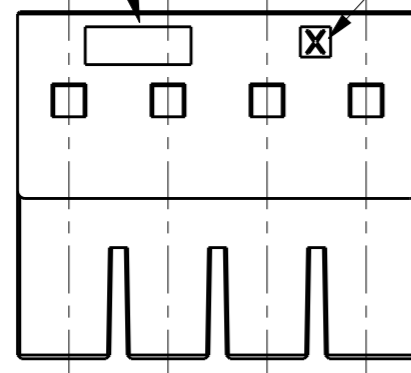
NAME
DYNAMIC D5900 RECEPTACLE ASSY

SIZE	CAGE CODE	DRAWING NO	RESTRICTED TO
A3	00779	C-2260663	-

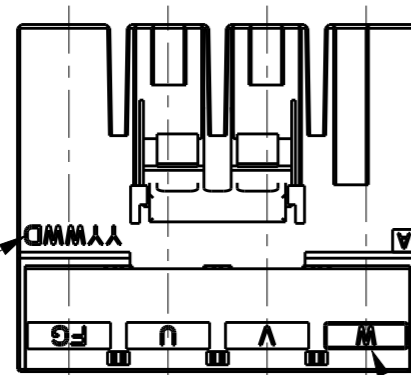
CUSTOMER DRAWING SCALE 1:1 SHEET 1 OF 4 REV A

P	LTR	DESCRIPTION	DATE	DWN	APVD
-	-	SEE SHEET 1	-	-	-

COMPANY LOGO KEY CODE



DATE CODE CAVITY MARK
CIRCUIT NO.

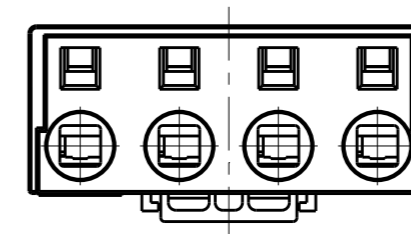
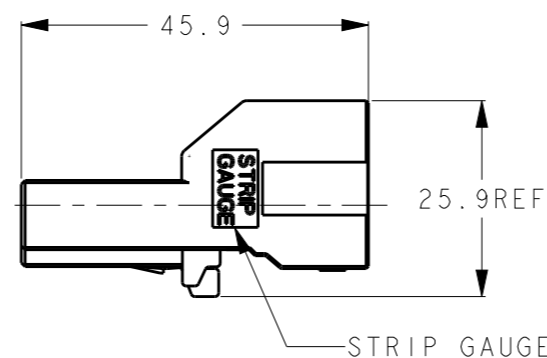
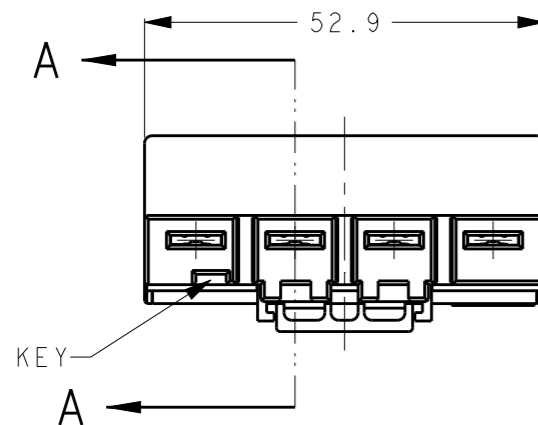
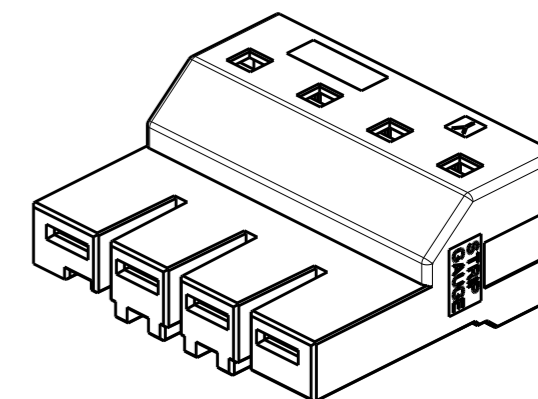
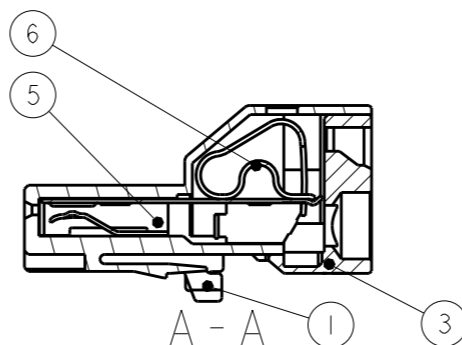
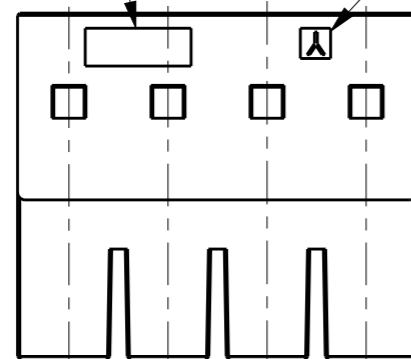


4-2260663-1 (4 POS KEY: X)

THIS DRAWING IS A CONTROLLED DOCUMENT.		DWN M. JIANG 08MAY2020	TE Connectivity	
DIMENSIONS: mm		CHK T. SHIMOYASU 08MAY2020		
TOLERANCES UNLESS OTHERWISE SPECIFIED:		APVD F. IKEMATSU 08MAY2020	NAME DYNAMIC D5900 RECEPTACLE ASSY	
0 PLC ±0.3 1 PLC ±0.3 2 PLC ±0.3 3 PLC ±0.3 4 PLC ±0.3 ANGLES ±3°		PRODUCT SPEC 108-140022	SIZE A300779	
MATERIAL SEE SHEET 1		APPLICATION SPEC 408-78067	CAGE CODE C-2260663	DRAWING NO G-2260663
FINISH SEE SHEET 1		WEIGHT -	RESTRICTED TO -	
CUSTOMER DRAWING		SCALE 1:1		SHEET 2 OF 4
				REV A

P	LTR	DESCRIPTION	DATE	DWN	APVD
-		SEE SHEET 1	-	-	-

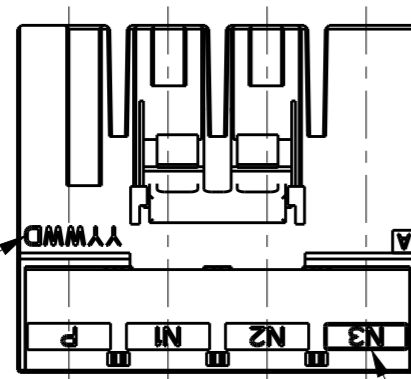
COMPANY LOGO KEY CODE



REFER TO SHEET 2 FOR THE DIMENSIONS WHICH ARE NOT INDICATED ON THIS SHEET.

4-2260663-2(4POS KEY:Y)

DATE CODE CAVITY MARK
CIRCUIT NO.

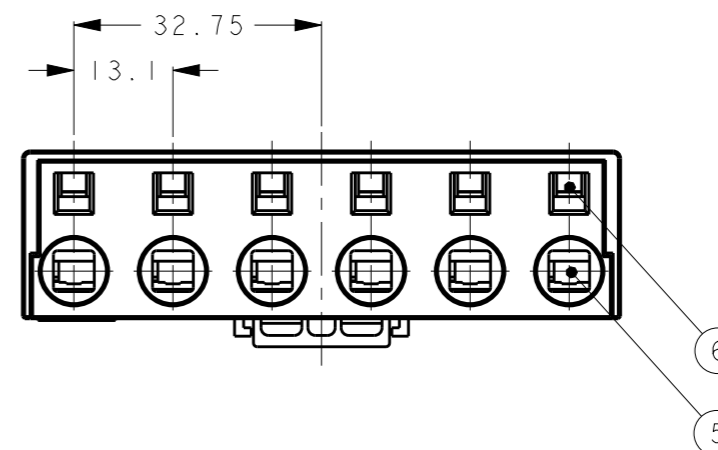
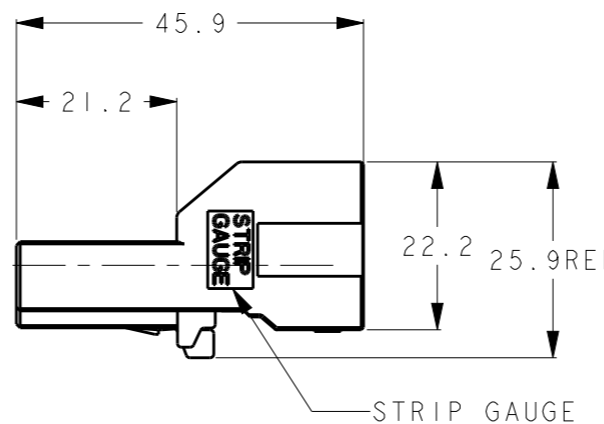
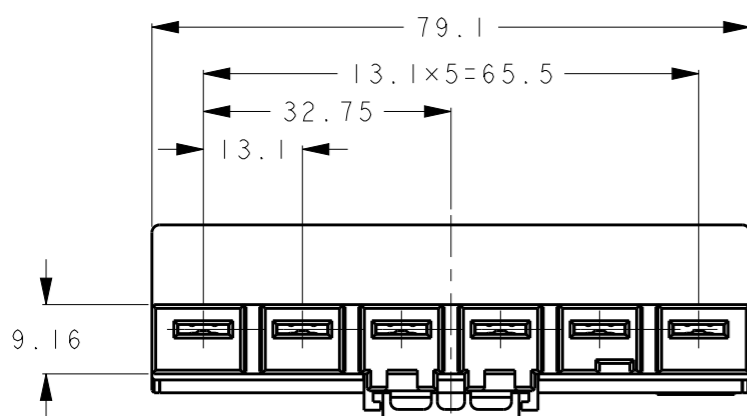
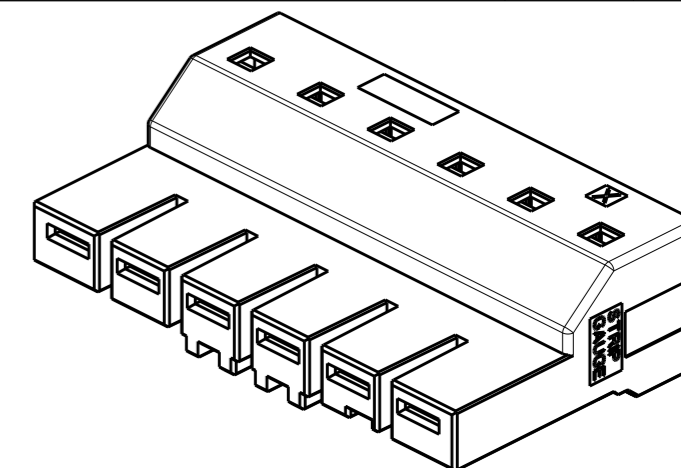
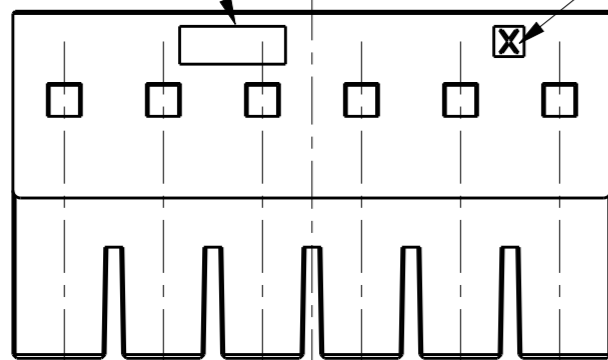


THIS DRAWING IS A CONTROLLED DOCUMENT.		DWN M. JIANG 08MAY2020	TE Connectivity	
DIMENSIONS: mm		CHK T. SHIMOYASU 08MAY2020		
TOLERANCES UNLESS OTHERWISE SPECIFIED:		APVD F. IKEMATSU 08MAY2020	NAME DYNAMIC D5900 RECEPTACLE ASSY	
0 PLC ±0.3 1 PLC ±0.3 2 PLC ±0.3 3 PLC ±0.3 4 PLC ±0.3 ANGLES ±3°		PRODUCT SPEC 108-140022	SIZE A300779	
MATERIAL SEE SHEET 1		APPLICATION SPEC 408-78067	CAGE CODE C-2260663	DRAWING NO G-2260663
FINISH SEE SHEET 1		WEIGHT -	RESTRICTED TO -	
CUSTOMER DRAWING		SCALE 1:1	SHEET 3 OF 4	REV A

P	LTR	DESCRIPTION	DATE	DWN	APVD
-		SEE SHEET 1	-	-	-

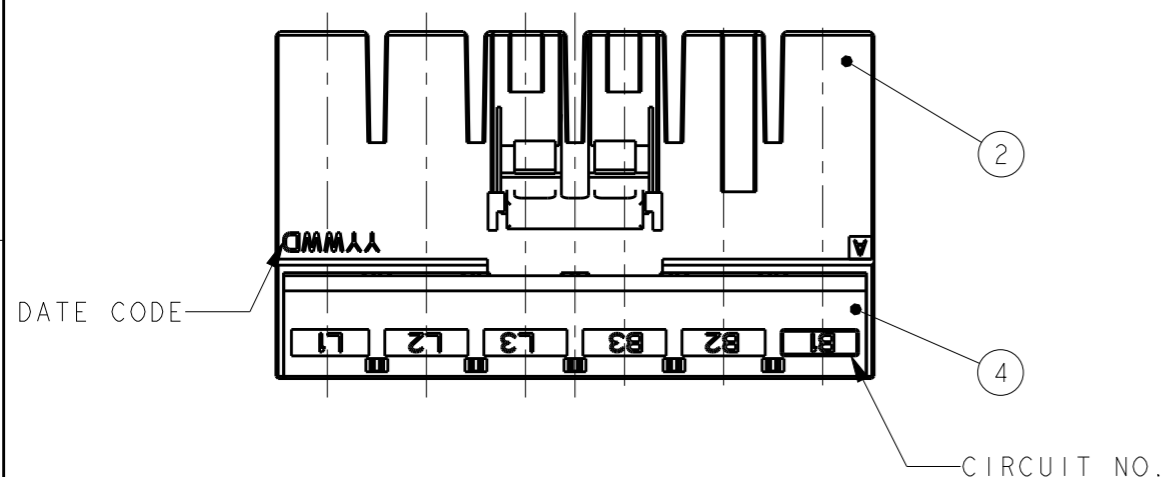
COMPANY LOGO

KEY CODE



9.16

6-2260663-1 (6 POS KEY: X)



DATE CODE

CIRCUIT NO.

THIS DRAWING IS A CONTROLLED DOCUMENT.		DWN M. JIANG 08MAY2020			
DIMENSIONS: mm		CHK T. SHIMOYASU 08MAY2020			
TOLERANCES UNLESS OTHERWISE SPECIFIED:		APVD F. IKEMATSU 08MAY2020	NAME DYNAMIC D5900 RECEPTACLE ASSY		
0 PLC ±0.3		PRODUCT SPEC 108-140022	SIZE A3	CAGE CODE 00779	DRAWING NO C-2260663
1 PLC ±0.3		APPLICATION SPEC 408-78067	RESTRICTED TO -		
2 PLC ±0.3		WEIGHT -	SCALE 1:1		
3 PLC ±0.3		MATERIAL SEE SHEET 1	SHEET 4 OF 4		
4 PLC ±0.3			REV A		
ANGLES ±3°		CUSTOMER DRAWING			