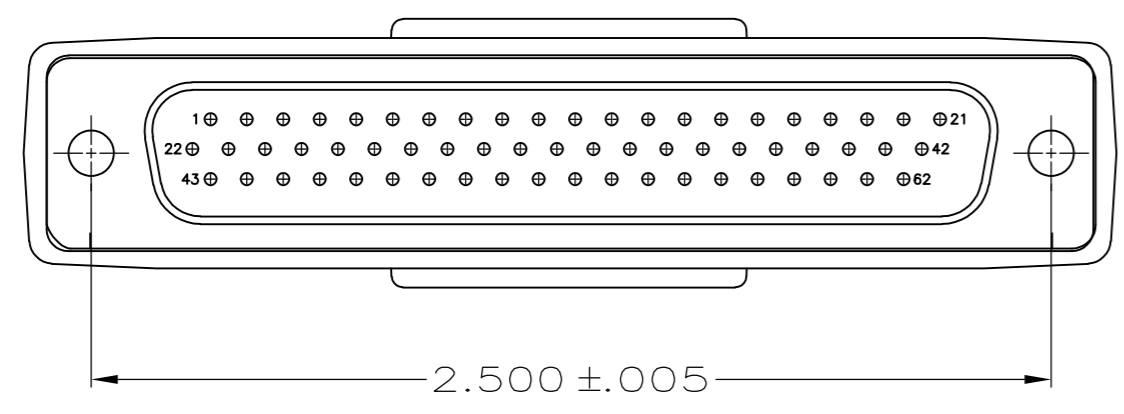
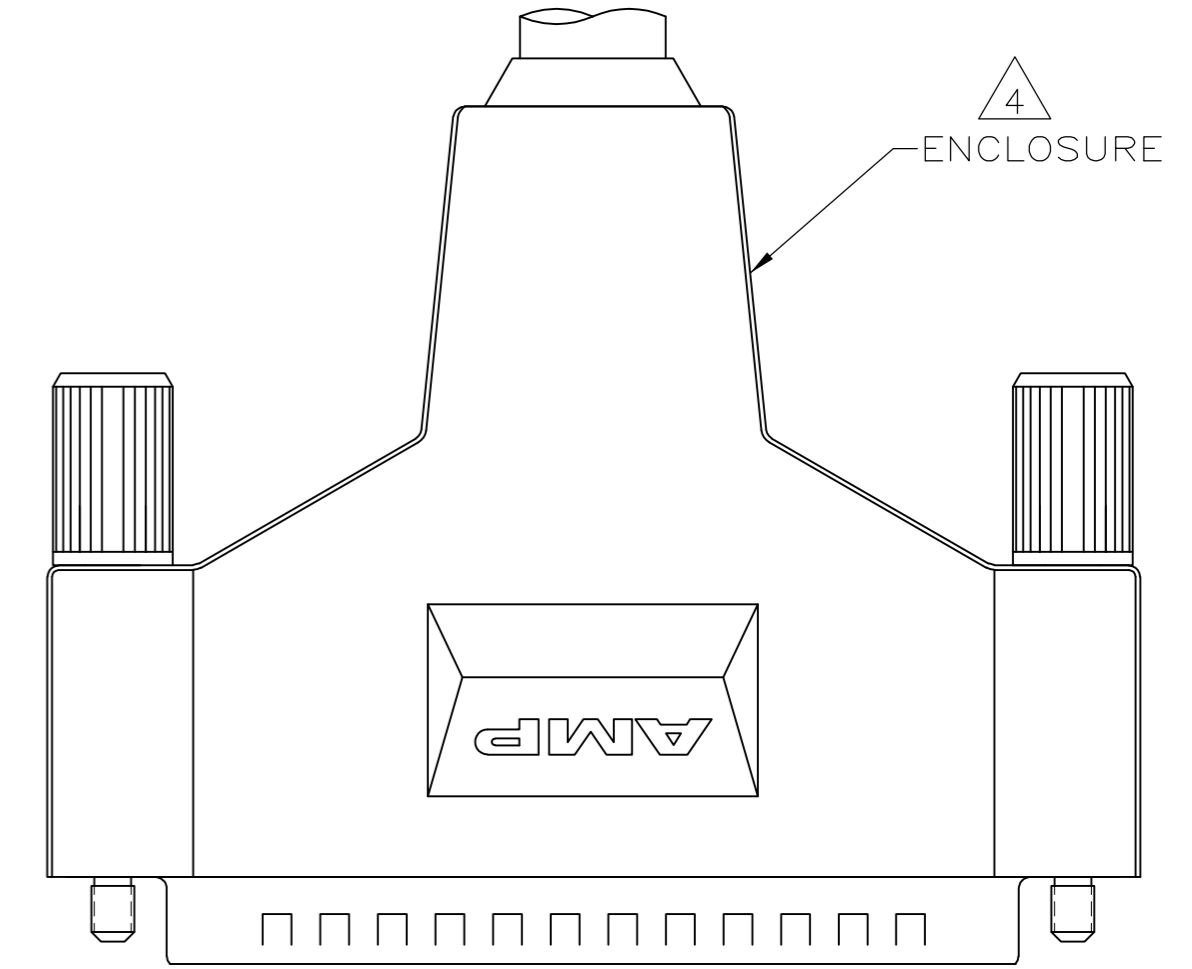
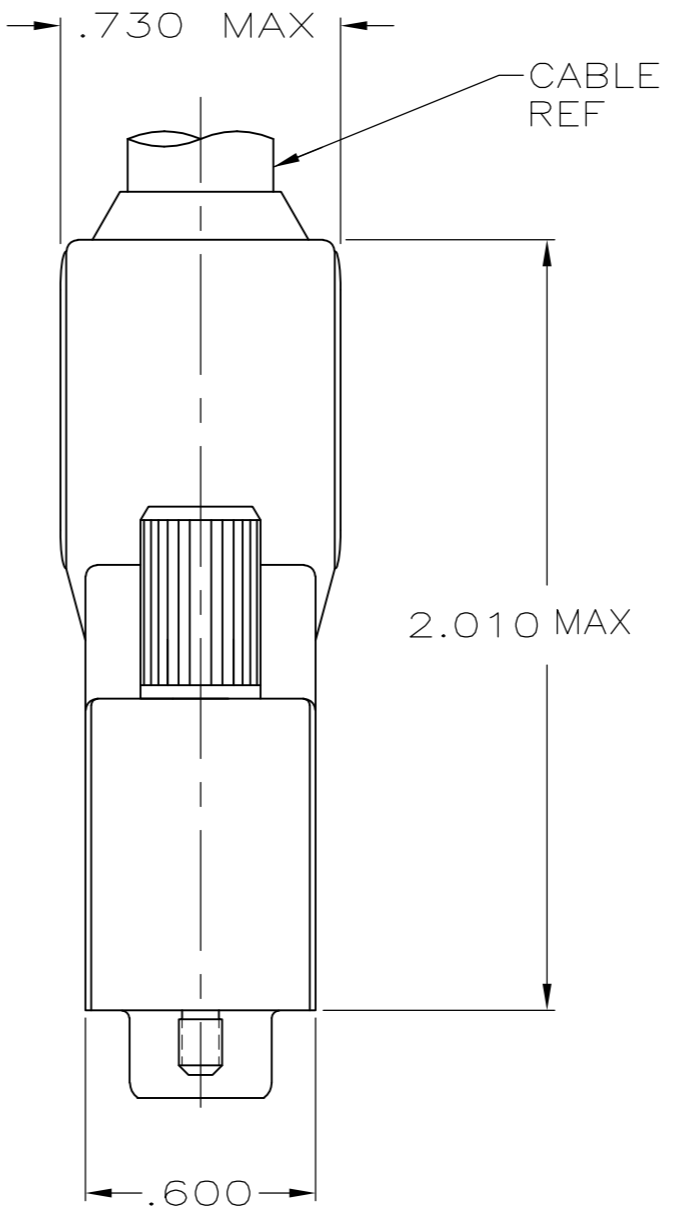
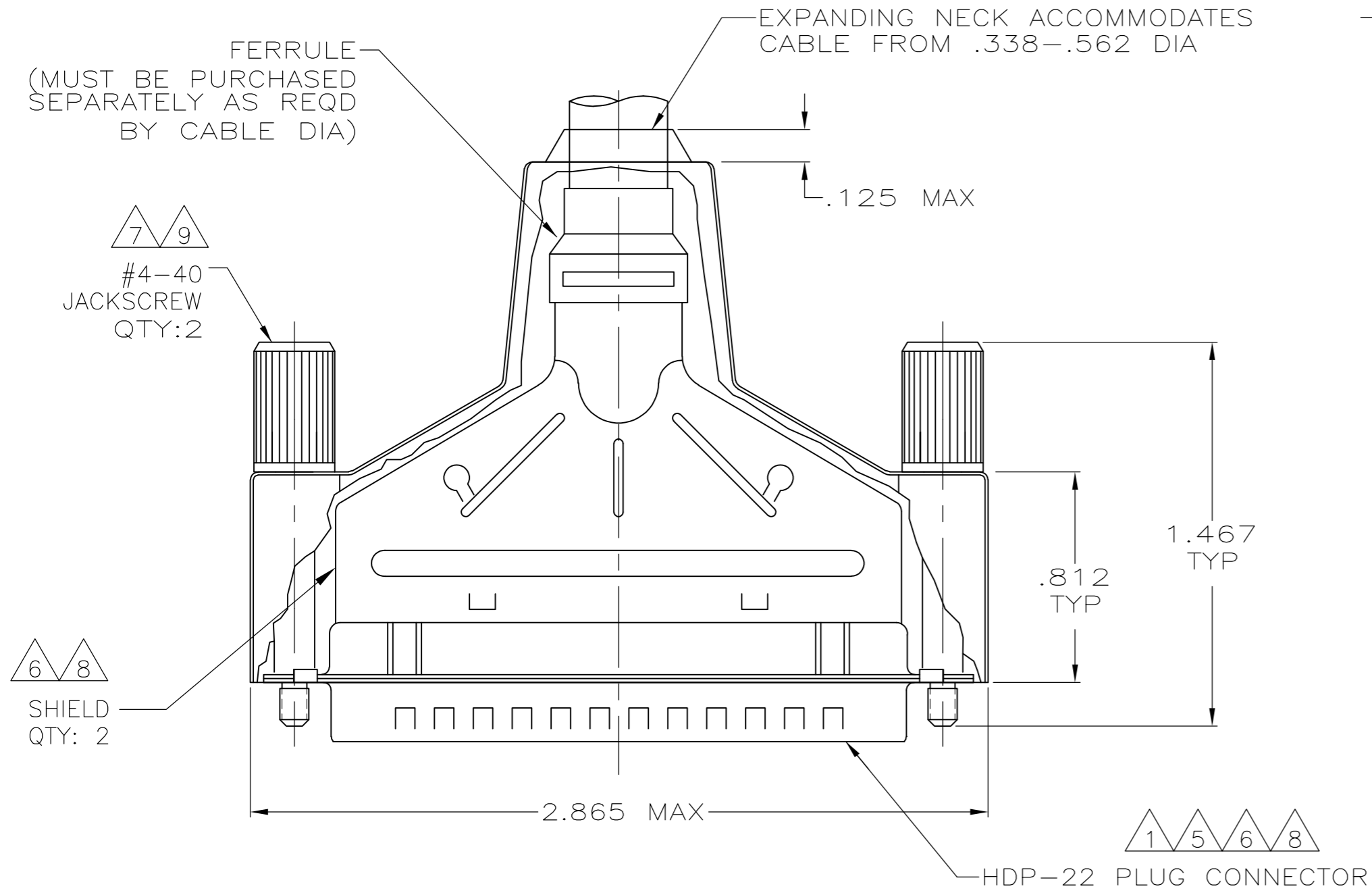


THIS DRAWING IS UNPUBLISHED. RELEASED FOR PUBLICATION
 © COPYRIGHT - By - ALL RIGHTS RESERVED.

REVISIONS				
P	LTR	DESCRIPTION	DATE	APVD
F		REVISED PER ECO-17-002903	20MAR2017	AP DG



- 1 PLUG ACCEPTS SIZE 22 DF PIN CONTACTS PURCHASED SEPARATELY.
- 2 ALL PARTS SHIPPED UNASSEMBLED.
- 3 COMPONENTS INDIVIDUALLY BULK PACKAGED.
- 4 ELASTOMER, STYRENE POLYOLEFIN, OR PVC, BLACK.
- 5 FLAME RETARDANT, 94V-0 RATED, GLASS FILLED, NYLON, BLACK.
- 6 CARBON STEEL PER ASTM A109.
- 7 CARBON STEEL, C1022.
- 8 .000200 MIN TIN PLATE OVER .000100 MIN COPPER UNDERPLATE.
- 9 BLACK ZINC FLAKE COATING.

3	W/ LOGOS	5748476-1
PACKAGING	REMARKS	PART NUMBER

THIS DRAWING IS A CONTROLLED DOCUMENT.		DWN 12-21-04 L. VARELA - DOCK5		
DIMENSIONS: INCHES		CHK 12-21-04 J. GERACE		
TOLERANCES UNLESS OTHERWISE SPECIFIED:		APVD 12-21-04 M. WALMSLEY	NAME	
0 PLC ± -		PRODUCT SPEC	SHIELDING ENCLOSURE KIT, PLUG, SIZE 4, 62 POSITION, AMPLIMITE, HDP-22	
1 PLC ± -		APPLICATION SPEC	-	
2 PLC ± -		114-40030	SIZE	CAGE CODE
3 PLC ± .020		WEIGHT 0.000000	A2	00779
4 PLC ± -		RESTRICTED CUSTOMER	DRAWING NO C=5748476	
ANGLES ± -		SCALE 2:1		SHEET 1 of 1
FINISH		REV F		