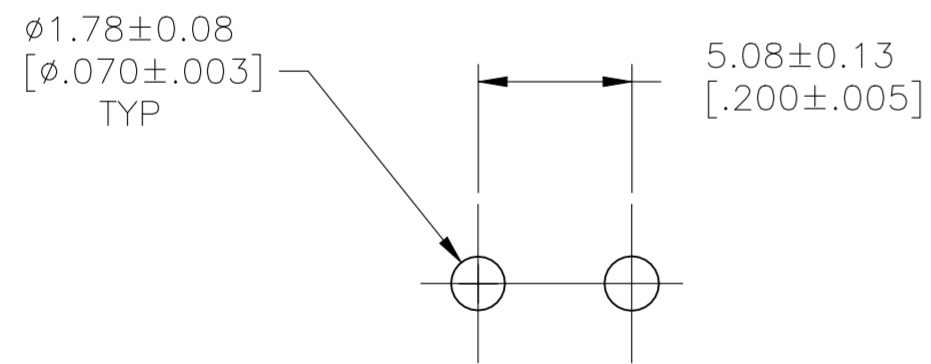
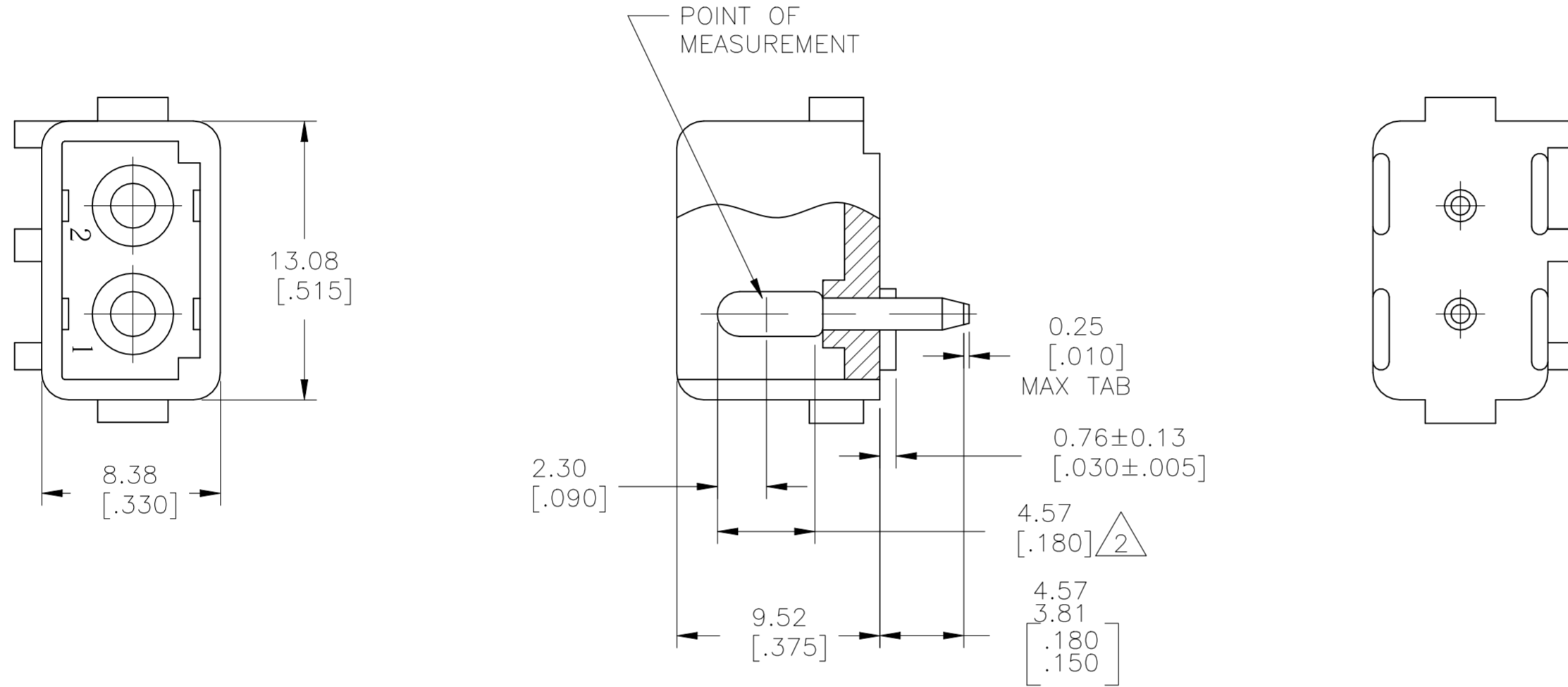


THIS DRAWING IS UNPUBLISHED. RELEASED FOR PUBLICATION
 © COPYRIGHT - By - ALL RIGHTS RESERVED.

REVISIONS				
P	LTR	DESCRIPTION	DATE	APVD
S4		REVISED PER ECR-21-117185	25OCT2021	PJ VS

- 1 PARTS COMPLY WITH TE SOLDERABILITY SPEC NO. 109-11-3.
- △ 2 CONTACT IS PLATED OVERALL WITH 0.00127[.000050] NICKEL THEN 0.000762[.000030] GOLD OVER CONTACT LENGTH INDICATED AND TIN PLATED ON SOLDER TAIL END.
- 3 DIMENSION SHOWN REPRESENT PRODUCT IN DRY CONDITION. ADDITIONAL 2% GROWTH DUE TO END USE LOCATION MOISTURE ABSORPTION MAY OCCUR AND SHOULD BE ACCOUNTED FOR.



RECOMMENDED LAYOUT FOR
 1.57[.062] THICK P.C. BOARD

OBSOLETE	COPPER ALLOY-PRE TIN	NYLON, NATURAL UL94V-0	350209-3
	COPPER ALLOY-GOLD △2	NYLON, NATURAL UL94V-2	350209-2
	COPPER ALLOY-PRE TIN	NYLON, NATURAL UL94V-2	350209-1
	PIN MAT'L & COLOR	HSG, MAT'L & COLOR	ASS'Y NUMBER

THIS DRAWING IS A CONTROLLED DOCUMENT.		DWN RAGHAVENDRA 18MAR09	STE TE Connectivity	
DIMENSIONS: mm [INCHES]		CHK SARVER MICHAEL 18MAR09		
TOLERANCES UNLESS OTHERWISE SPECIFIED:		APVD SARVER MICHAEL 18MAR09	NAME 2 CIRCUIT MATE-N-LOK P.C. BOARD HEADER	
0 PLC ± -		PRODUCT SPEC	SIZE CAGE CODE DRAWING NO RESTRICTED TO	
1 PLC ± -		APPLICATION SPEC	A2 00779 C=350209 -	
2 PLC ± -		WEIGHT 0.000000	SCALE 4:1 SHEET 1 OF 1 REV S4	
3 PLC ± 0.38[.015]		CUSTOMER DRAWING		
4 PLC ± -				
ANGLES ± 1°				
MATERIAL SEE TABLE	FINISH SEE TABLE			