

Panel mounting base - RC-00000004300 - 1592591


Please be informed that the data shown in this PDF Document is generated from our Online Catalog. Please find the complete data in the user's documentation. Our General Terms of Use for Downloads are valid (<http://phoenixcontact.com/download>)



Panel mounting base, straight, Screw locking, M23, Radial O-ring, 4xM3, panel thickness min.: 2.7 mm, panel thickness max.: 3.5 mm



Key Commercial Data

Packing unit	40 pc
GTIN	 4 046356 191685
GTIN	4046356191685

Technical data

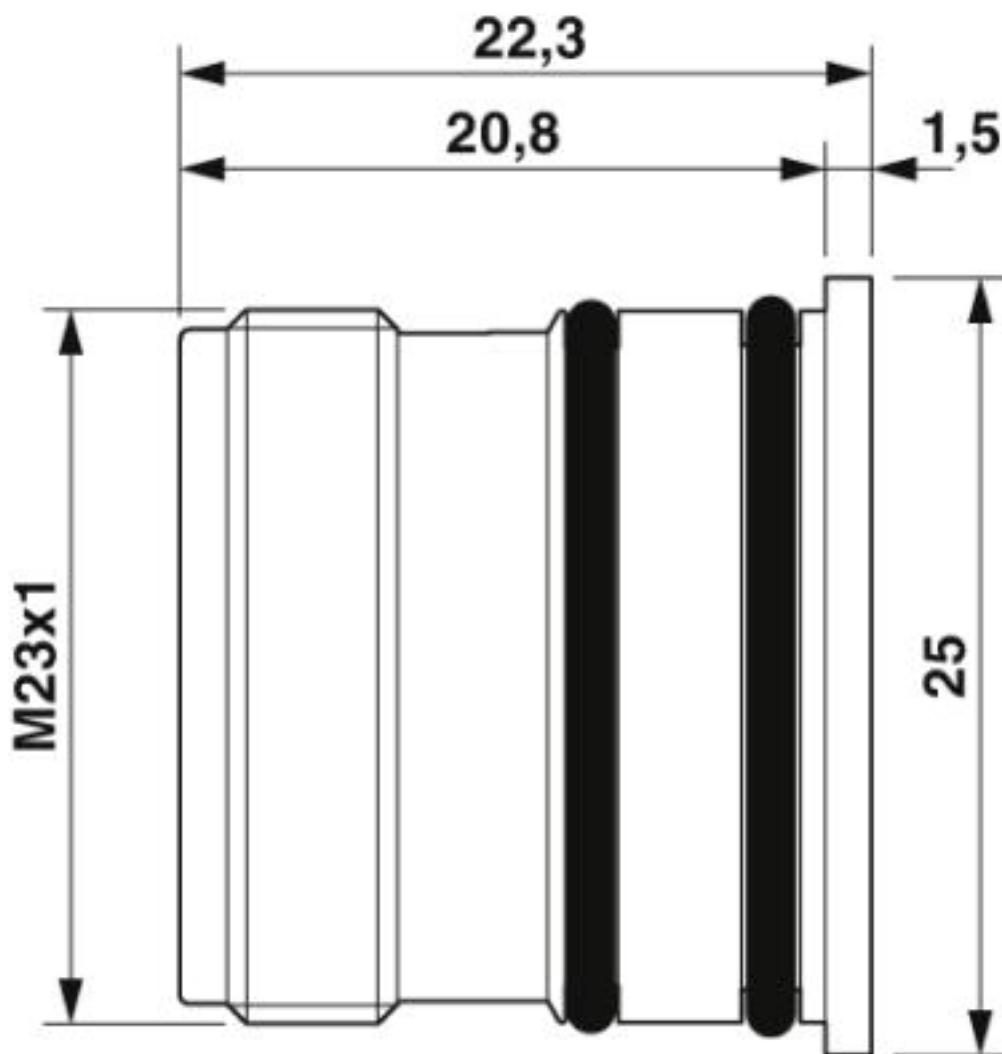
Environmental Product Compliance

	Lead 7439-92-1
China RoHS	Environmentally Friendly Use Period = 50
	For details about hazardous substances go to tab "Downloads", Category "Manufacturer's declaration"

Drawings

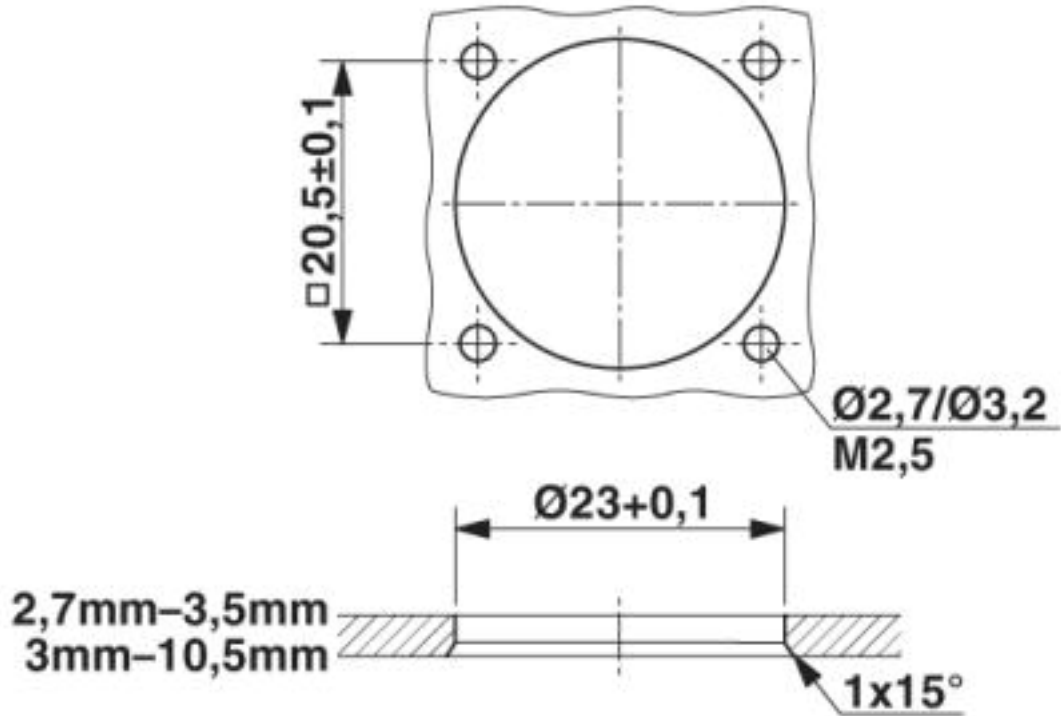
Panel mounting base - RC-00000004300 - 1592591

Dimensional drawing



Panel mounting base - RC-00000004300 - 1592591

Dimensional drawing



Drilling diagram

Approvals

Approvals

Approvals

EAC

Ex Approvals

Approval details

EAC		B.01742
-----	--	---------

Phoenix Contact 2019 © - all rights reserved
<http://www.phoenixcontact.com>

PHOENIX CONTACT GmbH & Co. KG
Flachmarktstr. 8
32825 Blomberg
Germany
Tel. +49 5235 300
Fax +49 5235 3 41200
<http://www.phoenixcontact.com>