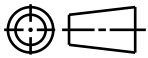
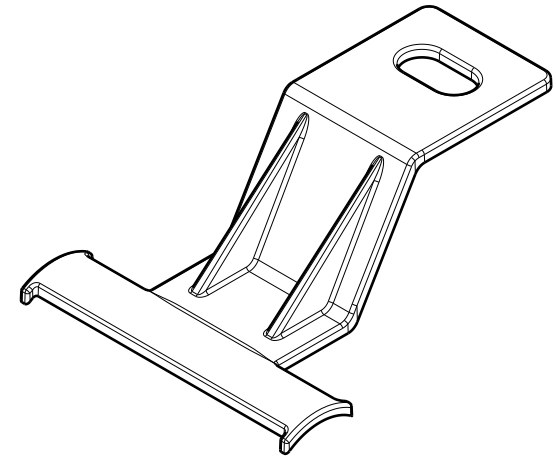
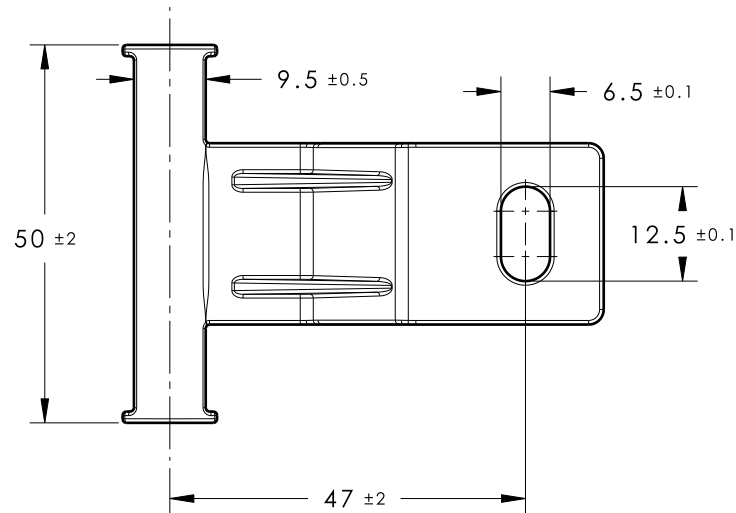


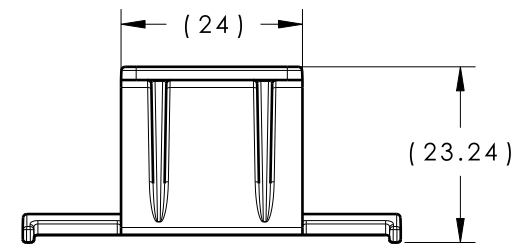
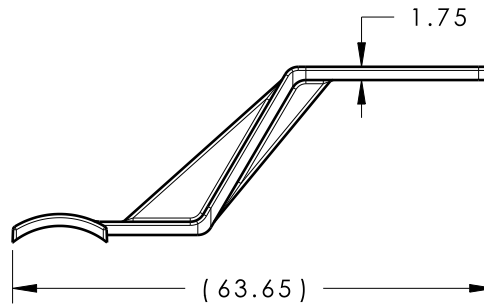
CATIA V5



Revision Level			Revision Record	Changed	Date	Approved	Date
Drawing	State	Part					
00.0	In Work		SEE ECN# 014172	HDC	11/10/17	EJH	11/10/17



ISOMETRIC VIEW



PRODUCTION NOTES:

1. MAX ALLOWABLE FLASH TO BE: 0.25mm
2. MAX ALLOWABLE MISMATCH TO BE: 0.10mm

Material PPS FX32T4 COLOR: SILVER	Units <b>millimeters</b>	The copyright of this drawing is reserved by HellermannTyton. It is issued on condition that it is not reproduced, copied or disclosed to a third party, either wholly or in part, without the consent of HellermannTyton.	Drawn    HDC    11/10/17	Article/Type-No    SOC40OS20PHOVAL	Scale    1:1	
	Tolerance defined on each dimension		Approved    EJH    11/10/17		Title    OFFSET TAPE BAR WITH PORTABLE HOLE	Project Number    17-2490
			<b>HellermannTyton</b> North America Email: corp@htamericas.com Web: www.hellermann.tyton.com		Drawing-No    PROTOTYPE : Phase	Format    AH
					<b>17-2490-001-CSU</b>	