

4

3

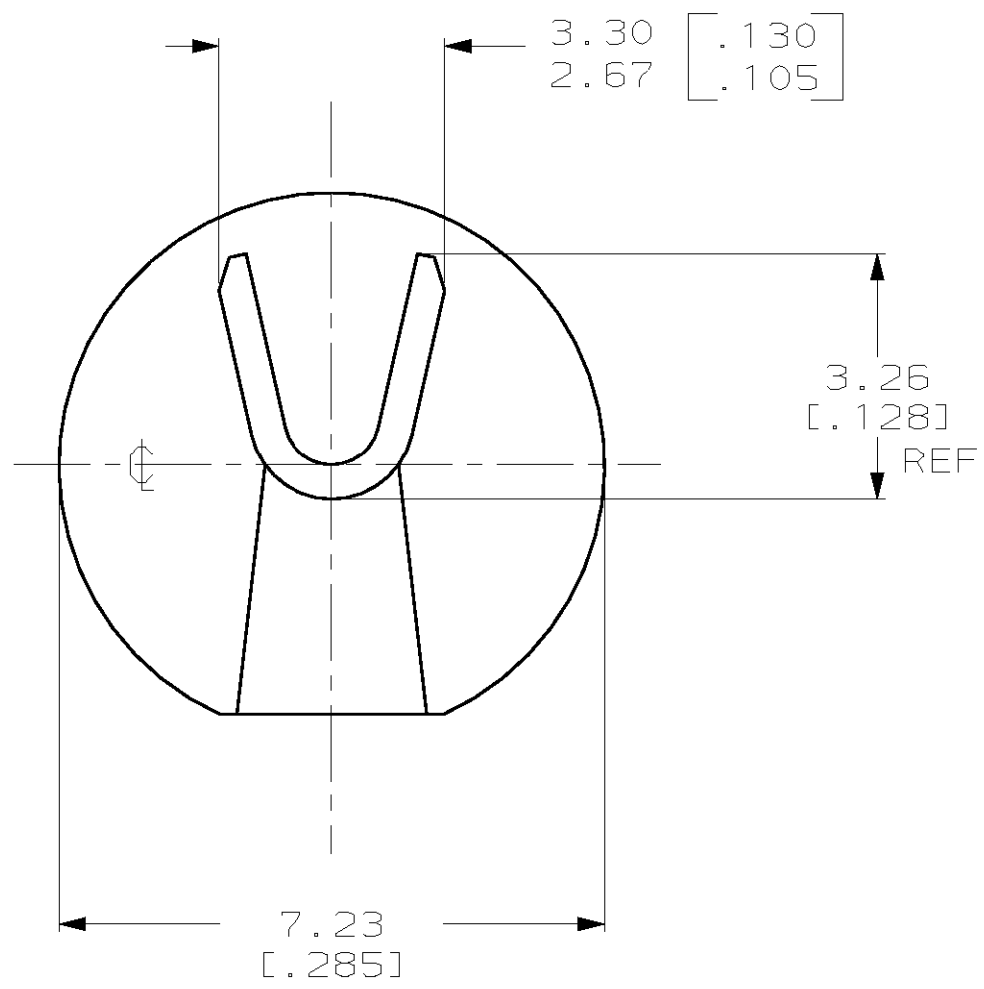
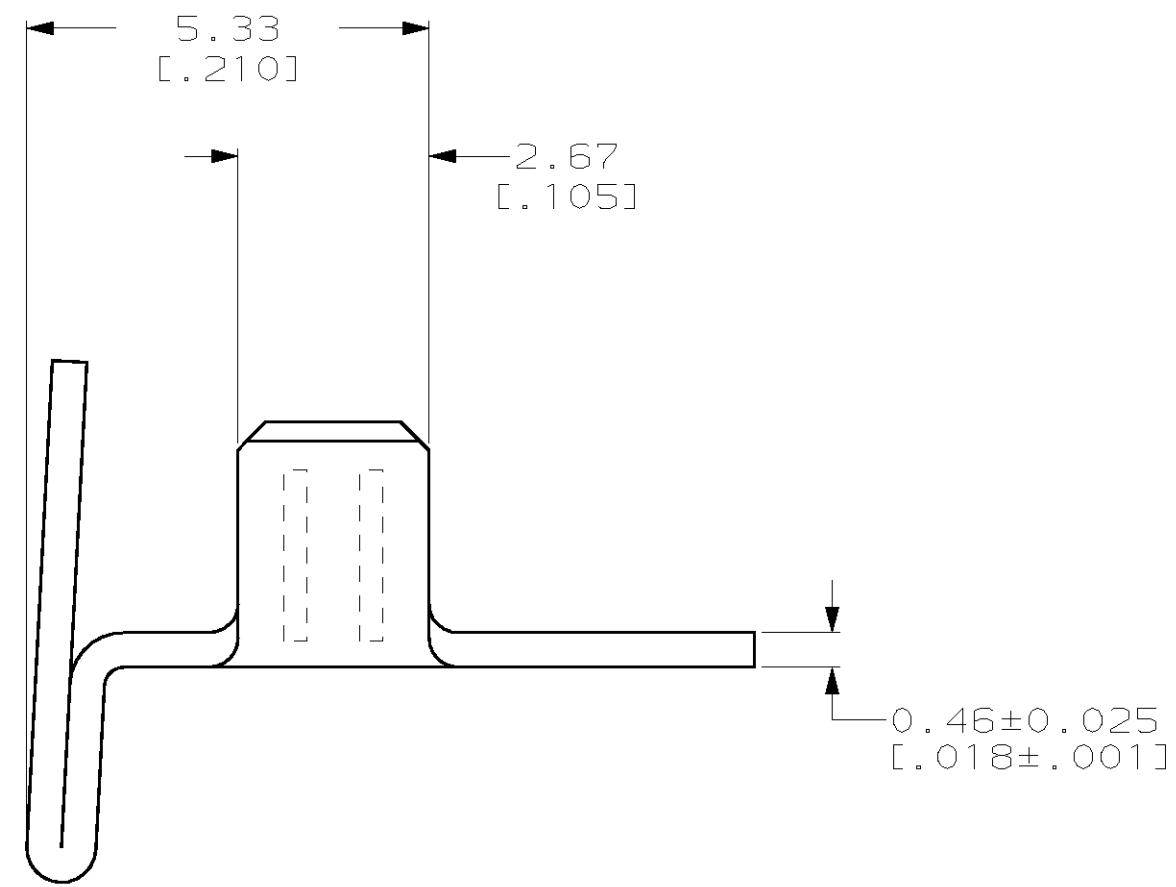
2

1

THIS DRAWING IS UNPUBLISHED. RELEASED FOR PUBLICATION, 19 .  
 © COPYRIGHT 19 BY AMP INCORPORATED. ALL RIGHTS RESERVED.

LOC	DIST	REVISIONS			
P	LTR	DESCRIPTION	DATE	DWN	APVD
AF	50	C	REL PER 063A-0049-01	23JAN01	JR GP

1 WIRE SIZE IS [#20-#16] AWG.



1217507-1  
PART NO.

THIS DRAWING IS A CONTROLLED DOCUMENT.		DWN JR RUTH 060CT00	AMP Incorporated Harrisburg, PA 17105-3608		
DIMENSIONS: MM [INCHES]		CHK MS FEHER 060CT00			
TOLERANCES UNLESS OTHERWISE SPECIFIED:		APVD G PORTA 060CT00	NAME BRUSH TERMINAL		
0 PLC ±- 1 PLC ±- 2 PLC ±0.25 [.010] 3 PLC ±- 4 PLC ±- ANGLES ±-		PRODUCT SPEC -	SIZE A3		
MATERIAL TEMP 1 BRASS		FINISH -	CAGE CODE 00779	DRAWING NO C- 1217507	RESTRICTED TO -
CUSTOMER DRAWING			SCALE 10:1	SHEET 1 OF 1	REV C