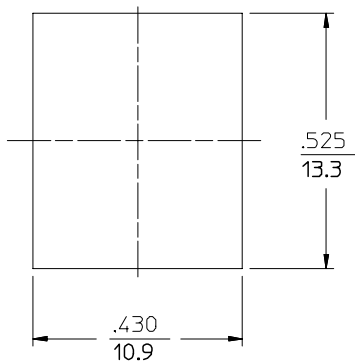
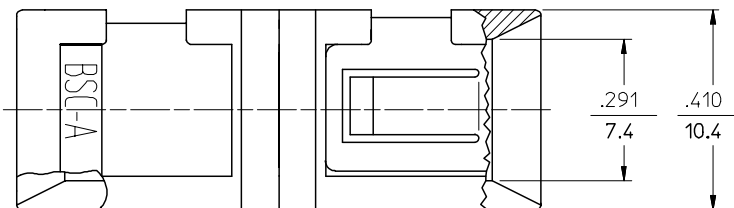
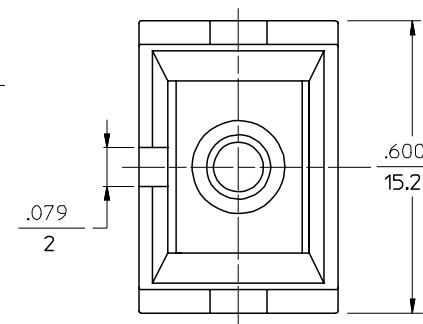
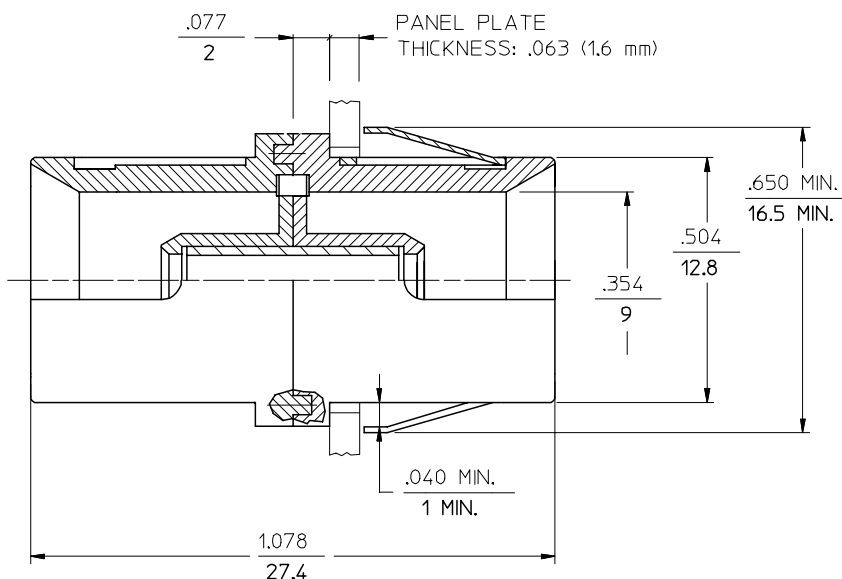


P/N OF ADAPTER	MATERIAL SPLIT SLEEVE	COLOR OF ADAPTER
106170-2600	CERAMIC	BLACK
106171-2600	PHOSPHOR BRONZE	
106170-2630	CERAMIC	RED
106171-2630	PHOSPHOR BRONZE	



RECOMMENDED MOUNTING HOLE



NOTES:
1. DUST CAPS ARE NOT SHOWN BUT INCLUDED.

ENTER DESCRIPTION EC NO: MF2006-0237 DRW: NPG/BLN CHKD: 2005/11/29 APPR: IGUMIN 2005/11/29 REV A	QUALITY SYMBOLS = 0 = 0	GENERAL TOLERANCES (UNLESS SPECIFIED) <table border="1"> <thead> <tr> <th></th> <th>mm</th> <th>INCH</th> </tr> </thead> <tbody> <tr> <td>4 PLACES</td> <td>± .000</td> <td>± .000</td> </tr> <tr> <td>3 PLACES</td> <td>± .000</td> <td>± .000</td> </tr> <tr> <td>2 PLACES</td> <td>± .000</td> <td>± .000</td> </tr> <tr> <td>1 PLACE</td> <td>± .000</td> <td>± .000</td> </tr> </tbody> </table>		mm	INCH	4 PLACES	± .000	± .000	3 PLACES	± .000	± .000	2 PLACES	± .000	± .000	1 PLACE	± .000	± .000	DIMENSION STYLE IN/MM DRAWN BY: RPACIFICI DATE: 2005/10/13 CHECKED BY: _____ DATE: _____ APPROVED BY: _____ DATE: _____	SCALE: 4:1 DESIGN UNITS: INCH THIRD ANGLE PROJECTION
		mm	INCH																
	4 PLACES	± .000	± .000																
	3 PLACES	± .000	± .000																
2 PLACES	± .000	± .000																	
1 PLACE	± .000	± .000																	
DRAFT WHERE APPLICABLE MUST REMAIN WITHIN DIMENSIONS		MATERIAL NO.: SEE TABLE SIZE: B	TITLE: BSC-2/BSC-2 BACK PANEL ADAPTER MOLEX INCORPORATED DOCUMENT NO.: SD-10617X-26X0 SHEET NO.: 1 OF 01																
THIS DRAWING CONTAINS INFORMATION THAT IS PROPRIETARY TO MOLEX INCORPORATED AND SHOULD NOT BE USED WITHOUT WRITTEN PERMISSION																			