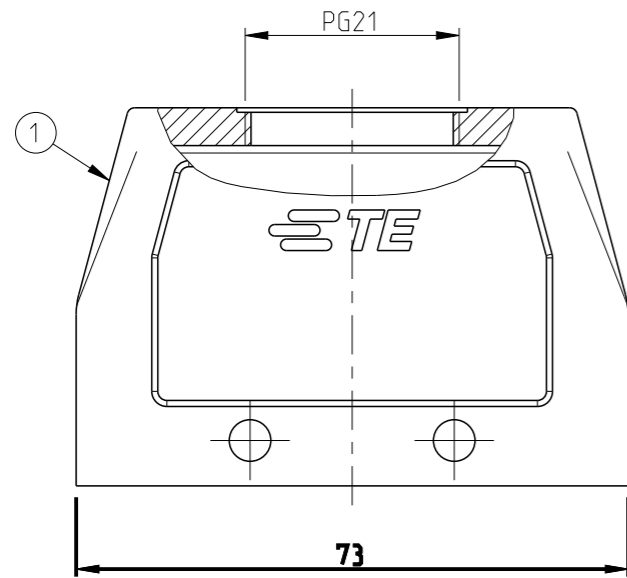
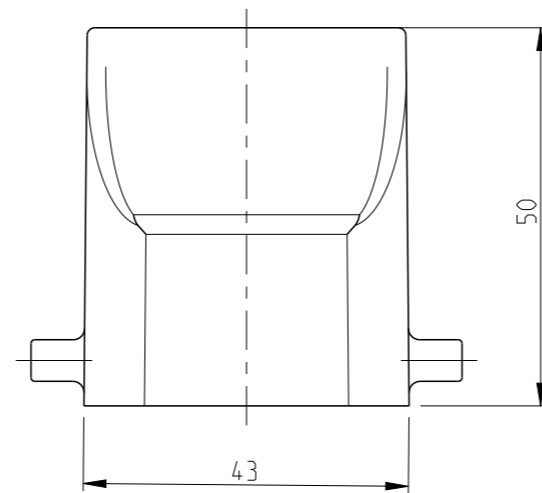


P	LTR	DESCRIPTION	DATE	DWN	APVD
	A4	ECR-21-123293	22FEB2022	RK	JB

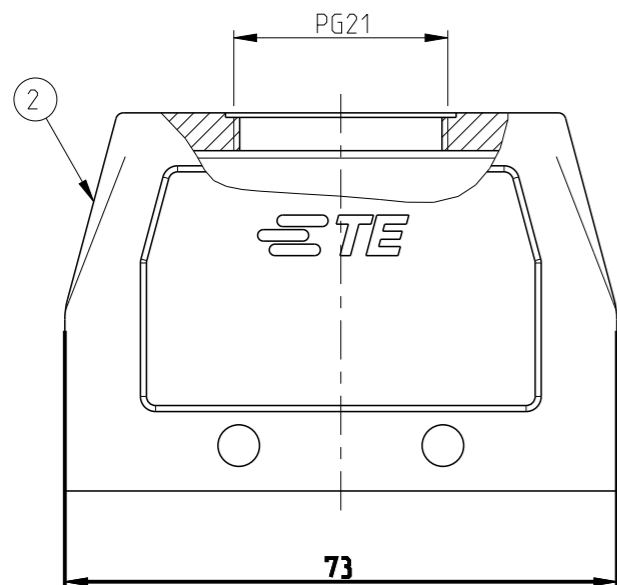


PN 4-6

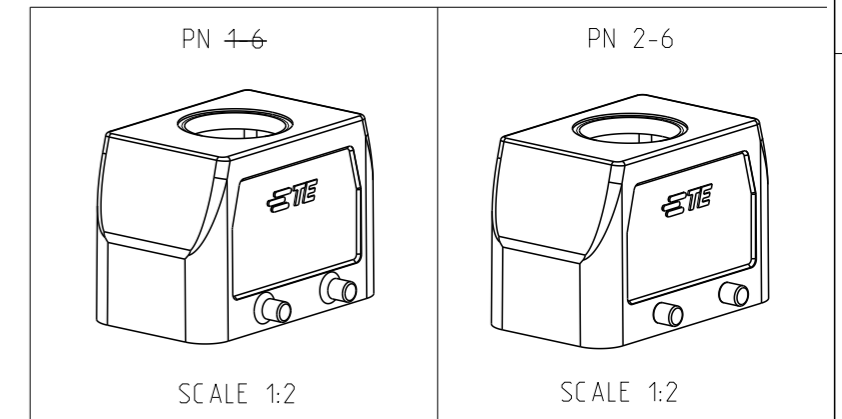
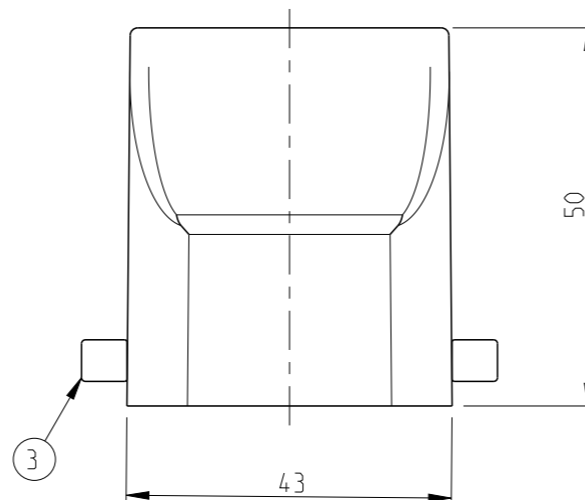


NOTES.

- 1 Material:Housing:Aluminium Diecasting Alloy
- 2 Surface-Powder Varnish Grey  
-Aluminium Oxide +  
Varnish Black
- 3 Varnish on the inside not necessary
- 4 Packaging  
Quantity 5 Pieces in a box



PN 2-6



OBSOLETE

4		VS-Clip bolt	Stainless steel	-		3	-
1		Hood HB.10.PG.1.21	Aluminium	Aluminium oxide	Black	2	-
	1	Hood HB.10.PG.1.21	Aluminium	-	Grey	1	-
2-6	1-6	DESCRIPTION	MATERIAL	SURFACE	COLOR	ITEM NO	REMARKS
		HB.10.STO.1.21.G					
		HB-K.10.STO.1.21.G					

THIS DRAWING IS A CONTROLLED DOCUMENT.

DIMENSIONS:		TOLERANCES UNLESS OTHERWISE SPECIFIED:	
mm		n-ISO 2768-mS-E n-DIN 16901-120	
		0 PLC	±
		1 PLC	±
		2 PLC	±
		3 PLC	±
		4 PLC	±
		ANGLES	±
MATERIAL		FINISH	

DWN	Schneider	15.06.99
CHK	Schweiger	15.06.99
APVD	-	-
PRODUCT SPEC	108-74003	
APPLICATION SPEC	114-74001	
WEIGHT	-	



NAME				Hood HB.10.STO.1.21.G			
SIZE	CAGE CODE	DRAWING NO		RESTRICTED TO			
A3	00779	C=1102270		-			
CUSTOMER DRAWING			SCALE	SHEET	OF	REV	
			1:1	1	1	A4	