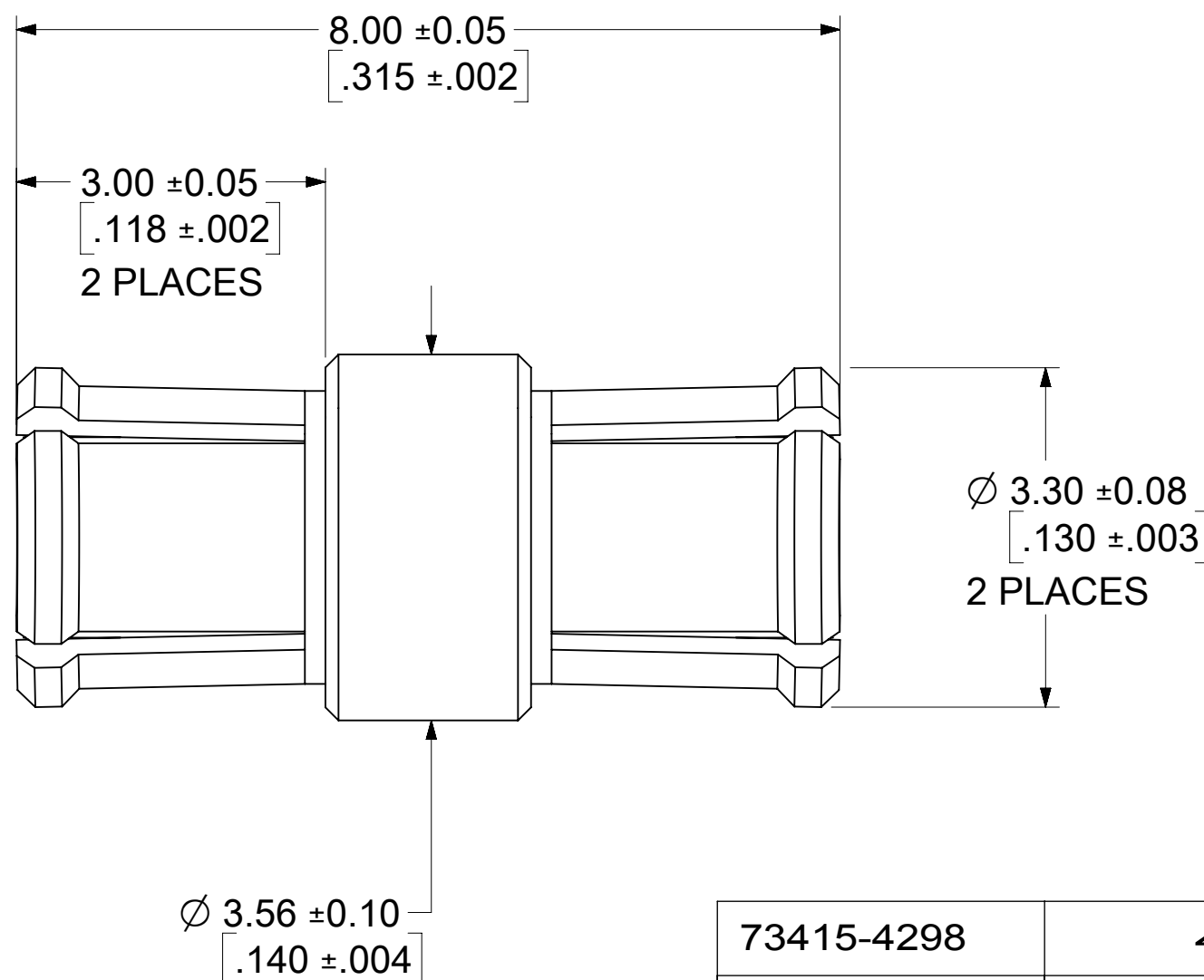
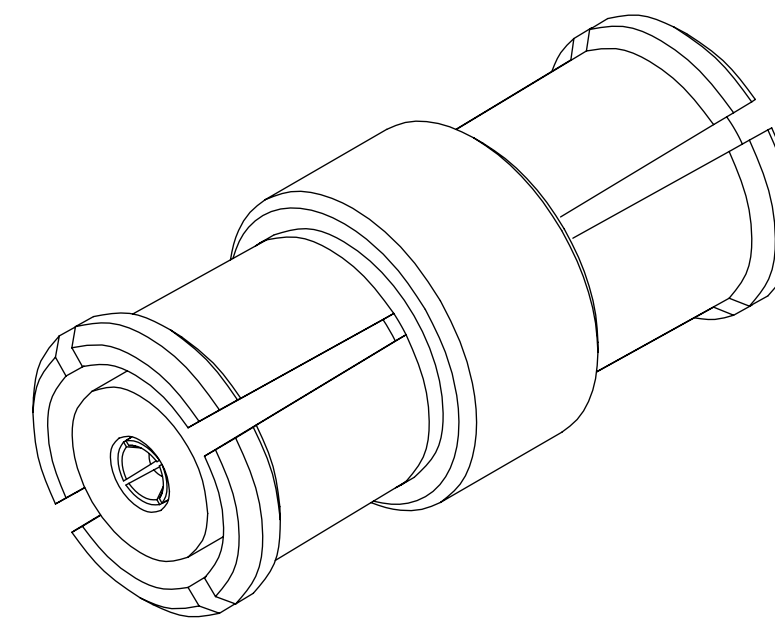


MATERIAL AND FINISHES

BODY: BERYLLIUM COPPER  
PLATED GOLD (SEE TABLE)

CONTACT: BERYLLIUM COPPER  
PLATED GOLD (SEE TABLE)

INSULATOR: TEFLON



73415-4296	30 μ INCH MIN
73415-4290	30 μ INCH MIN
PART NO.	PLATING
	THICKNESS

MIL-STD-348A, FIG. 326.1	INTERFACE
SPECIFICATION	DESCRIPTION

73415-4298	4	ONE PER BAG	895420470
73415-4297	3	ONE PER BAG	895420470
73415-4296	1	ONE PER BAG	895420470
73415-4295	4	TRAY	895420040
73415-4294	3	TRAY	895420040
73415-4293	4	TRAY	-----
73415-4292	3	TRAY	895420040
73415-4291	2	TRAY	895420040
73415-4290	1	TRAY	895420040
PART NO.	SHEET NO.	PACKAGING	PACKING SPEC

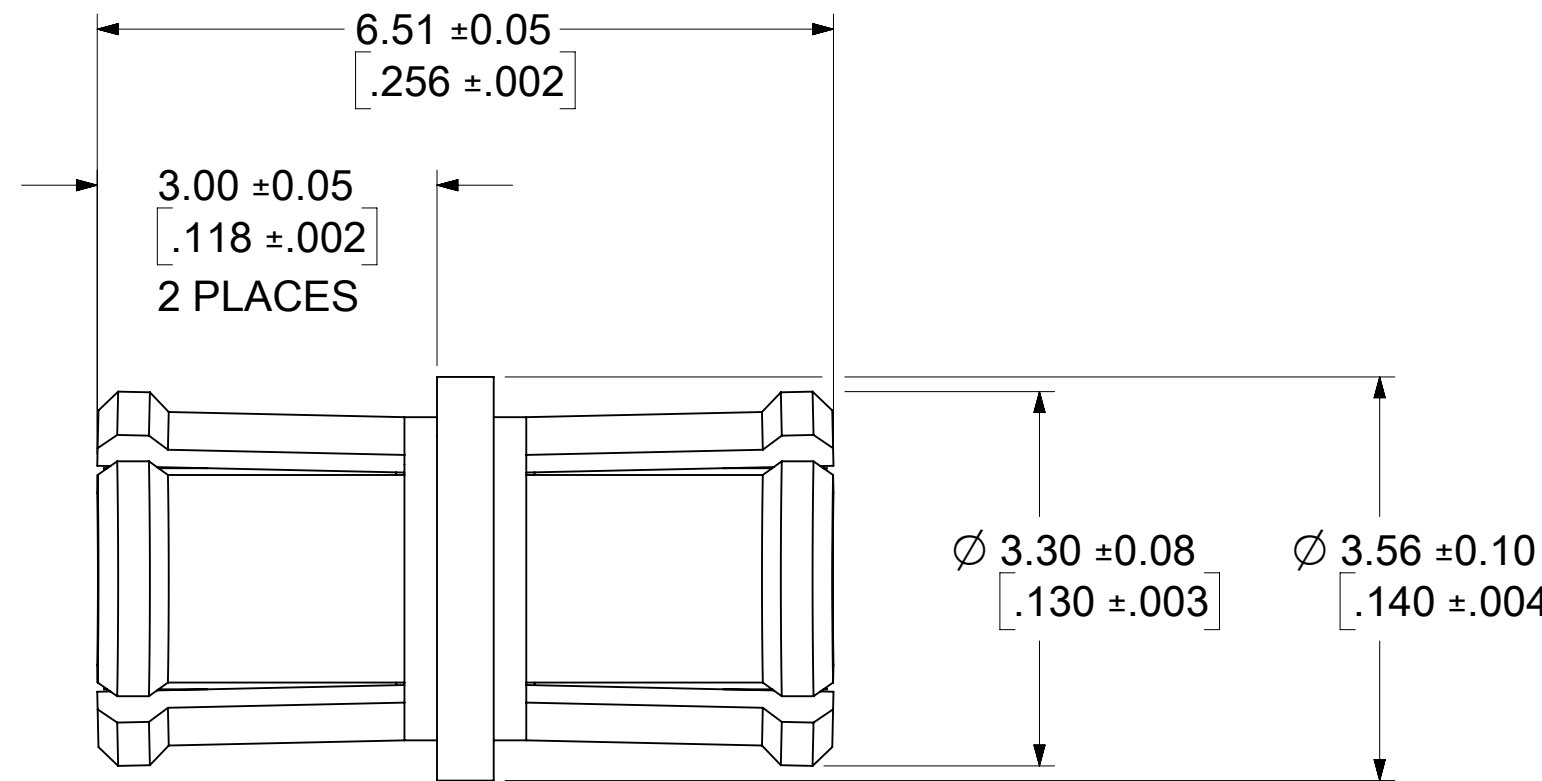
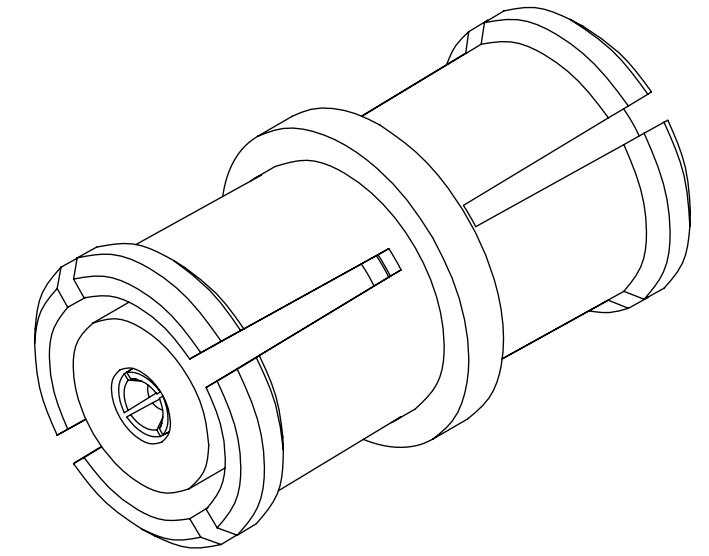
FUNCTIONAL SYMBOLS	THIS DRAWING CONTAINS INFORMATION THAT IS PROPRIETARY TO MOLEX ELECTRONIC TECHNOLOGIES, LLC AND SHOULD NOT BE USED WITHOUT WRITTEN PERMISSION		
	DIMENSION UNITS	SCALE	CURRENT REV DESC: ADD 73415-4298 PER EWR# 15321-C
$\frac{F}{A} = 0$	MM/INCH	NTS	EC NO: 719080 DRWN: ELIN 2022/08/25 CHK'D: YCHENG 2022/08/29 APPR: YCHENG 2022/08/29
$\frac{F}{C} = 0$	GENERAL TOLERANCES (UNLESS SPECIFIED)		
$\frac{F}{P} = 0$	ANGULAR TOL ± 2.0°		INITIAL REVISION: DRWN: TFLAHERT 2004/09/08 APPR: JWIENER 2004/09/08
DIVISIONAL SYMBOLS	4 PLACES ±	3 PLACES ±	
	2 PLACES ±	1 PLACE ±	DOCUMENT NUMBER <b>SD-73415-429</b> DOC TYPE DOC PART REVISION PSD 001 C3
	0 PLACES ±		
DRAFT WHERE APPLICABLE MUST REMAIN WITHIN DIMENSIONS		THIRD ANGLE PROJECTION	DRAWING SERIES C-SIZE 73415
DOCUMENT STATUS P1		RELEASE DATE 2022/08/29 03:27:20	MATERIAL NUMBER CUSTOMER SHEET NUMBER SEE TABLE GENERAL MARKET 1 OF 4

MATERIAL AND FINISHES

BODY: BERYLLIUM COPPER  
 PLATED GOLD (30 μ INCH MINIMUM)

CONTACT: BERYLLIUM COPPER  
 PLATED GOLD (30 μ INCH MINIMUM)

INSULATOR: TEFLON



PART # 73415-4291

MIL-STD-348A, FIG. 326.1	INTERFACE
SPECIFICATION	DESCRIPTION

FUNCTIONAL SYMBOLS	THIS DRAWING CONTAINS INFORMATION THAT IS PROPRIETARY TO MOLEX ELECTRONIC TECHNOLOGIES, LLC AND SHOULD NOT BE USED WITHOUT WRITTEN PERMISSION													
	DIMENSION UNITS	SCALE	CURRENT REV DESC: ADD 73415-4298 PER EWR# 15321-C							<b>molex</b>				
$\frac{E}{A} = 0$	MM/INCH	NTS	GENERAL TOLERANCES (UNLESS SPECIFIED)		EC NO: 719080									
$\frac{E}{C} = 0$			ANGULAR TOL ± 2.0°		DRWN: ELIN		2022/08/25			SMP JACK, ADAPTER				
$\frac{E}{P} = 0$			4 PLACES ±		CHK'D: YCHENG		2022/08/29			50 OHMS, EWR1994 & 2098 SMP-J/AD				
DIVISIONAL SYMBOLS			3 PLACES ±		APPR: YCHENG		2022/08/29			PRODUCT CUSTOMER DRAWING				
			2 PLACES ±		INITIAL REVISION:					DOCUMENT NUMBER				
			1 PLACE ±		DRWN: TFLAHERT		2004/09/08			SD-73415-429				
			0 PLACES ±		APPR: JWIENER		2004/09/08			PSD 001 C3				
DRAFT WHERE APPLICABLE MUST REMAIN WITHIN DIMENSIONS			THIRD ANGLE PROJECTION		DRAWING		SERIES		MATERIAL NUMBER		CUSTOMER		SHEET NUMBER	
					C-SIZE		73415		SEE TABLE		GENERAL MARKET		2 OF 4	

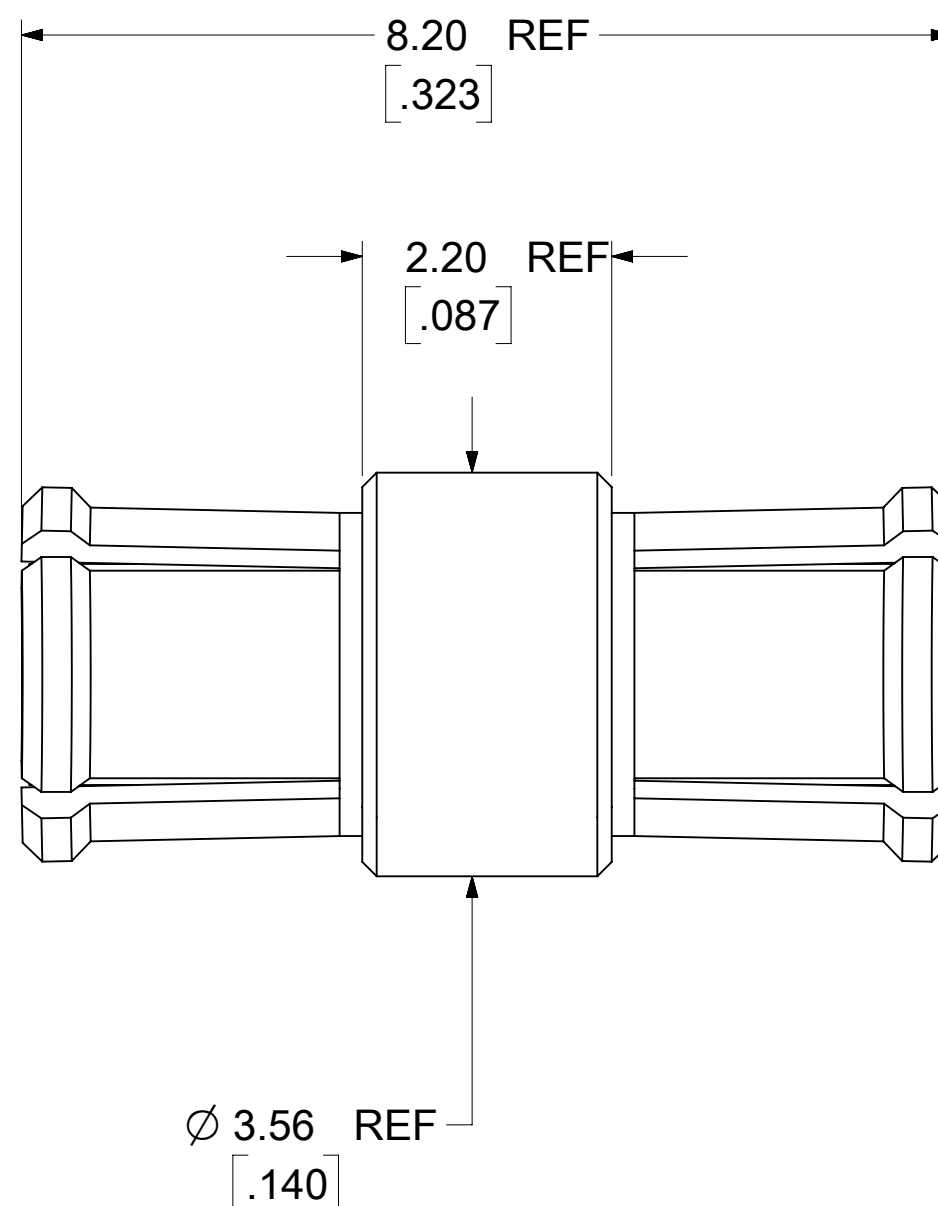
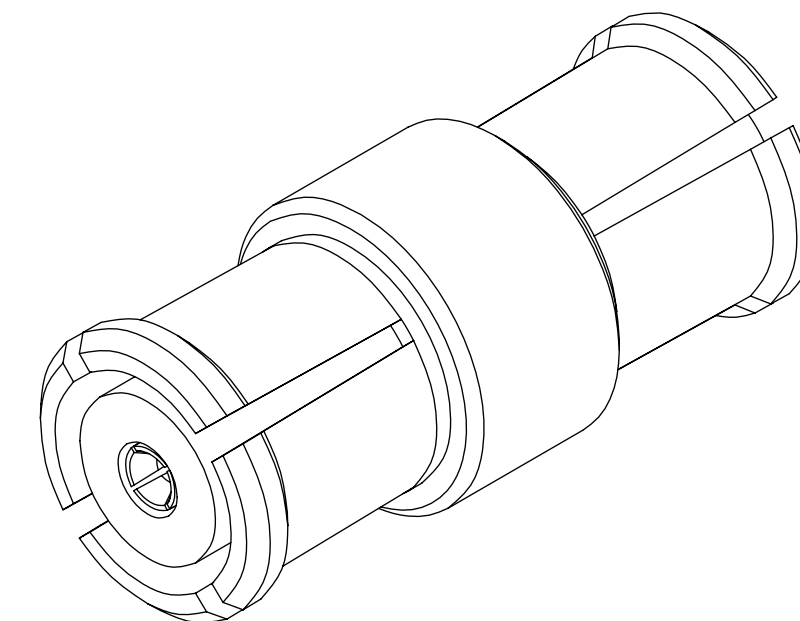
DOCUMENT STATUS	P1	RELEASE DATE	2022/08/29	03:27:20
-----------------	----	--------------	------------	----------

MATERIAL AND FINISHES:

BODY: BERYLLIUM COPPER  
PLATED GOLD (SEE TABLE)

CONTACT: BERYLLIUM COPPER  
PLATED GOLD (SEE TABLE)

INSULATOR: TEFLON



MIL-STD-348A, FIG. 326.1	INTERFACE
SPECIFICATION	DESCRIPTION

73415-4297	50 μ INCH MIN
73415-4294	30 μ INCH MIN
73415-4292	50 μ INCH MIN
PART NO.	PLATING
	THICKNESS

FUNCTIONAL SYMBOLS	THIS DRAWING CONTAINS INFORMATION THAT IS PROPRIETARY TO MOLEX ELECTRONIC TECHNOLOGIES, LLC AND SHOULD NOT BE USED WITHOUT WRITTEN PERMISSION																																																																																																		
<table border="1"> <tr> <td>FA = 0</td> <td>DIMENSION UNITS</td> <td>SCALE</td> <td colspan="7">CURRENT REV DESC: ADD 73415-4298 PER EWR# 15321-C</td> </tr> <tr> <td>FC = 0</td> <td>MM/INCH</td> <td>NTS</td> <td colspan="7"></td> </tr> <tr> <td>FD = 0</td> <td colspan="2">GENERAL TOLERANCES (UNLESS SPECIFIED)</td> <td colspan="7"></td> </tr> <tr> <td></td> <td colspan="2">ANGULAR TOL ± 2.0°</td> <td colspan="7"></td> </tr> <tr> <td></td> <td>4 PLACES</td> <td>±</td> <td colspan="7"></td> </tr> <tr> <td></td> <td>3 PLACES</td> <td>±</td> <td colspan="7"></td> </tr> <tr> <td></td> <td>2 PLACES</td> <td>±</td> <td colspan="7"></td> </tr> <tr> <td></td> <td>1 PLACE</td> <td>±</td> <td colspan="7"></td> </tr> <tr> <td></td> <td>0 PLACES</td> <td>±</td> <td colspan="7"></td> </tr> </table>	FA = 0	DIMENSION UNITS	SCALE	CURRENT REV DESC: ADD 73415-4298 PER EWR# 15321-C							FC = 0	MM/INCH	NTS								FD = 0	GENERAL TOLERANCES (UNLESS SPECIFIED)										ANGULAR TOL ± 2.0°										4 PLACES	±									3 PLACES	±									2 PLACES	±									1 PLACE	±									0 PLACES	±								EC NO: 719080	2022/08/25	<div style="text-align: center;"><b>molex</b></div> <p>SMP JACK, ADAPTER 50 OHMS, EWR1994 &amp; 2098 SMP-J/AD</p> <p>PRODUCT CUSTOMER DRAWING</p>						
FA = 0	DIMENSION UNITS	SCALE	CURRENT REV DESC: ADD 73415-4298 PER EWR# 15321-C																																																																																																
FC = 0	MM/INCH	NTS																																																																																																	
FD = 0	GENERAL TOLERANCES (UNLESS SPECIFIED)																																																																																																		
	ANGULAR TOL ± 2.0°																																																																																																		
	4 PLACES	±																																																																																																	
	3 PLACES	±																																																																																																	
	2 PLACES	±																																																																																																	
	1 PLACE	±																																																																																																	
	0 PLACES	±																																																																																																	
	DRWN: ELIN	2022/08/29																																																																																																	
	CHK'D: YCHENG	2022/08/29	DOCUMENT NUMBER			DOC TYPE	DOC PART	REVISION																																																																																											
	APPR: YCHENG	2022/08/29	SD-73415-429			PSD	001	C3																																																																																											
	INITIAL REVISION:		MATERIAL NUMBER			CUSTOMER		SHEET NUMBER																																																																																											
	DRWN: TFLAHERT	2004/09/08	SEE TABLE			GENERAL MARKET		3 OF 4																																																																																											
	APPR: JWIENER	2004/09/08	C-SIZE		SERIES																																																																																														
	DRAFT WHERE APPLICABLE MUST REMAIN WITHIN DIMENSIONS	THIRD ANGLE PROJECTION			73415																																																																																														

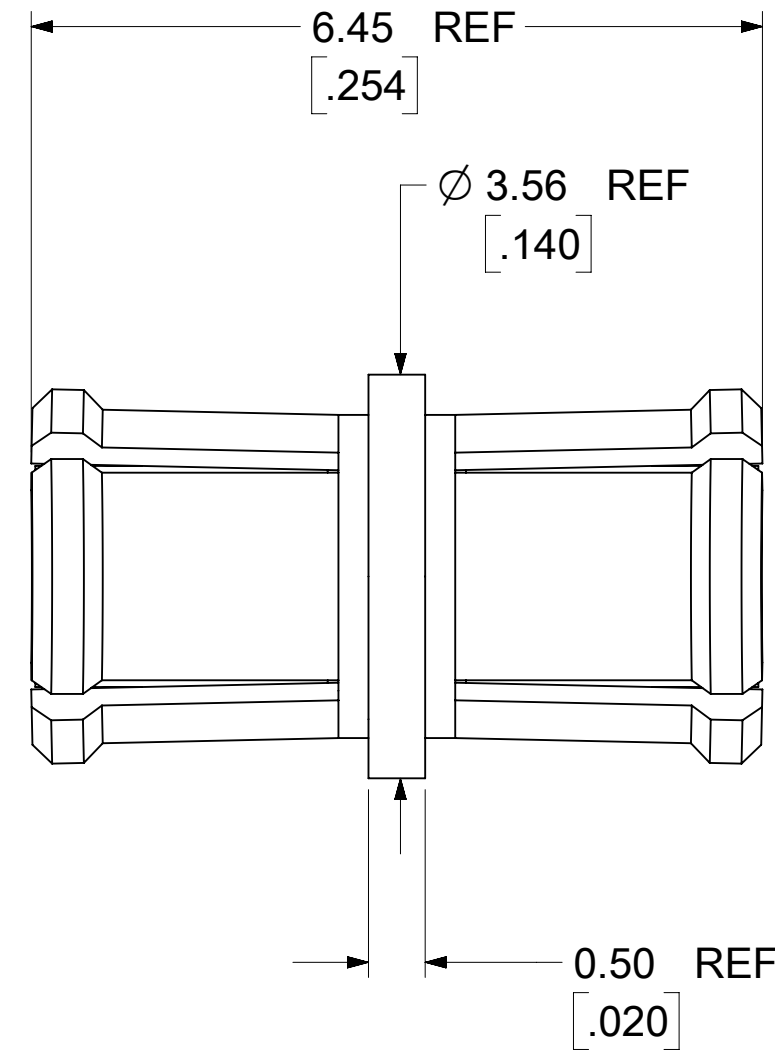
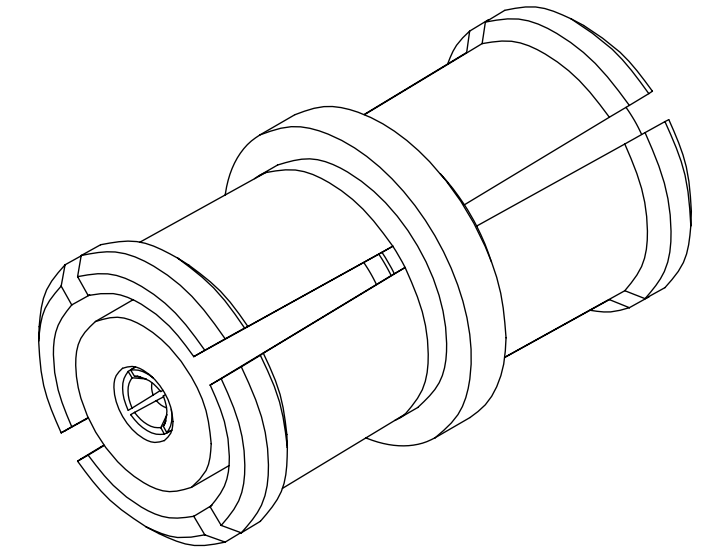
DOCUMENT STATUS	P1	RELEASE DATE	2022/08/29	03:27:20
-----------------	----	--------------	------------	----------

MATERIAL AND FINISHES:

BODY: BERYLLIUM COPPER  
PLATED GOLD (SEE TABLE)

CONTACT: BERYLLIUM COPPER  
PLATED GOLD (SEE TABLE)

INSULATOR: TEFLON



MIL-STD-348A, FIG. 326.1	INTERFACE
SPECIFICATION	DESCRIPTION

73415-4298	30 μ INCH MIN
73415-4295	30 μ INCH MIN
73415-4293	50 μ INCH MIN
PART NO.	PLATING
	THICKNESS

FUNCTIONAL SYMBOLS	THIS DRAWING CONTAINS INFORMATION THAT IS PROPRIETARY TO MOLEX ELECTRONIC TECHNOLOGIES, LLC AND SHOULD NOT BE USED WITHOUT WRITTEN PERMISSION													
$\frac{F}{A} = 0$ $\frac{F}{C} = 0$ $\frac{F}{P} = 0$	DIMENSION UNITS	SCALE	CURRENT REV DESC: ADD 73415-4298 PER EWR# 15321-C											
	MM/INCH	NTS	EC NO: 719080 DRWN: ELIN 2022/08/25 CHK'D: YCHENG 2022/08/29 APPR: YCHENG 2022/08/29									SMP JACK, ADAPTER 50 OHMS, EWR1994 & 2098 SMP-J/AD		
DIVISIONAL SYMBOLS	GENERAL TOLERANCES (UNLESS SPECIFIED)		PRODUCT CUSTOMER DRAWING							DOCUMENT NUMBER		DOC TYPE	DOC PART	REVISION
	ANGULAR TOL ± 2.0°		INITIAL REVISION:							SD-73415-429		PSD	001	C3
	4 PLACES ±		DRWN: TFLAHERT 2004/09/08 APPR: JWIENER 2004/09/08							MATERIAL NUMBER		CUSTOMER		SHEET NUMBER
	3 PLACES ±		DRAFT WHERE APPLICABLE MUST REMAIN WITHIN DIMENSIONS							SEE TABLE		GENERAL MARKET		4 OF 4
	2 PLACES ±		THIRD ANGLE PROJECTION		DRAWING		SERIES							
	1 PLACE ±				C-SIZE		73415							
	0 PLACES ±													

DOCUMENT STATUS	P1	RELEASE DATE	2022/08/29	03:27:20
-----------------	----	--------------	------------	----------