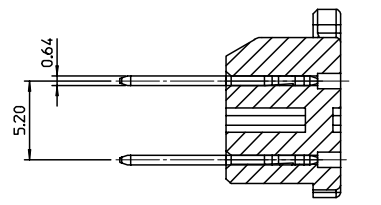
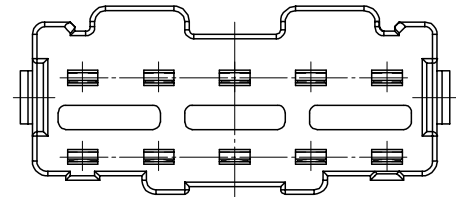
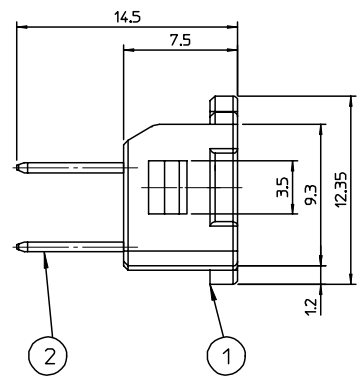
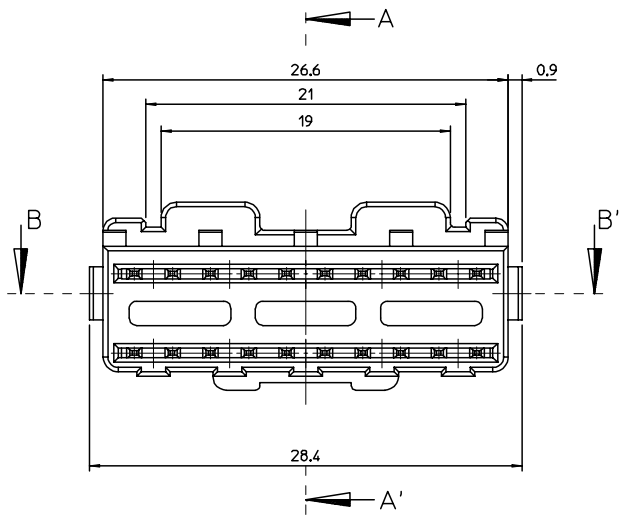
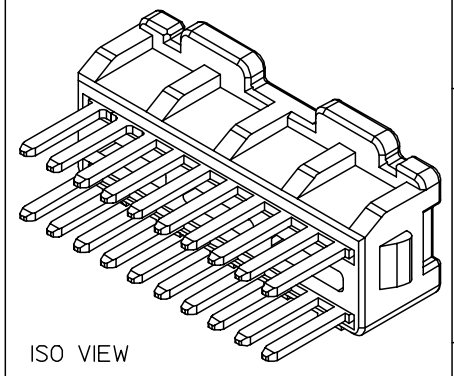
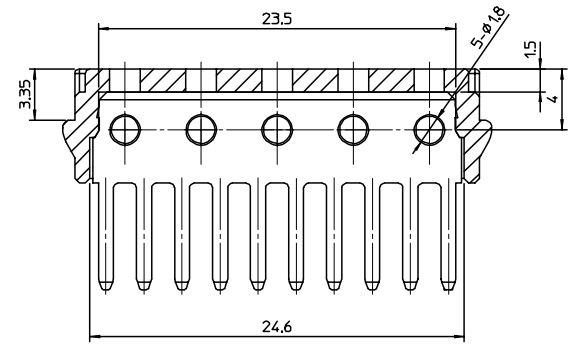
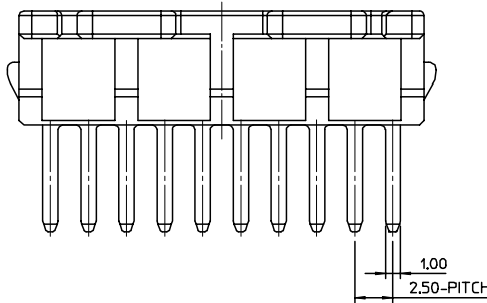


DWG. NO. SD-49058-001
 SIMILAR ITEM
 PROJECT NO.
 DO NOT SCALE DRAWING
 DIMENSION IN METRIC



SECTION A-A'

| NO. | PART NAME | PART NO. | MATERIAL | REMARKS |
|-----|--------------|-----------|-----------|---------|
| 1 | JOINT PACK | 490582090 | POLYESTER | NATURAL |
| 2 | 040 TERMINAL | 497219102 | BRASS | PRE-TIN |

| | |
|--------------|------------|
| MATERIAL NO. | ENG. NO. |
| 490582010 | 49058-2010 |

| | |
|-------------|-----------------------|
| NEW RELEASE | ECN NO. KOR2005-0006 |
| | DRWNS.M.KIM 04/09/03 |
| | CHK:K.C.YOON 04/09/03 |
| | APPR:C.W.LEE |
| REV | A |

| | | |
|-----------------|-------|----------|
| QUALITY SYMBOLS | MAJOR | CRITICAL |
| | ▲ | ▽ |

| | |
|--|-------|
| GENERAL TOLERANCES: (UNLESS SPECIFIED) | |
| 4 PLACES | ±0. |
| 3 PLACES | ±0. |
| 2 PLACES | ±0.15 |
| 1 PLACE | ±0.20 |
| ANGULAR: ± 1 ° | |
| DRAFT WHERE APPLICABLE MUST REMAIN WITHIN DIMENSIONS | |

| | |
|--------------------|------------------------|
| SCALE 3:1 | DESIGN UNITS |
| | THIRD ANGLE PROJECTION |
| DRAWN BY & DATE | |
| S.M.KIM 04/02/09 | |
| CHECKED BY & DATE | |
| B.C.YOON 04/02/09 | |
| APPROVED BY & DATE | |
| C.W.LEE 04/02/09 | |
| CAD FILENAME | |
| SD49058A.MI | |

| | | | |
|--|--|--------------------|--------|
| DIMENSIONS: | | SHT | REV |
| <input type="checkbox"/> INCH | <input type="checkbox"/> INCH | | |
| <input checked="" type="checkbox"/> mm | <input checked="" type="checkbox"/> mm | | |
| TITLE: | | REVISE ON CAD ONLY | |
| 040 JOINT CONNECTOR ASS'Y 20P | | | |
| MOLEX INCORPORATED | | | |
| MATERIAL NO. | DRAWING NO. | SHEET NO. | |
| SEE TABLE | SD-49058-001 | 10F1 | |
| THIS DRAWING CONTAINS INFORMATION THAT IS PROPRIETARY TO MOLEX INCORPORATED AND SHOULD NOT BE USED WITHOUT WRITTEN PERMISSION. | | | SIZE B |