



RoHS Compliant

CS1204

Surface Mount Tactile

Specifications

Electrical Ratings	50mA @ 50VDC	Dielectric Strength	250Vrms min
Electrical Life	100,000 cycles typical	Insulation Resistance	>100MΩ min
Contact Resistance	<50mΩ initial	Operating Temperature	-40°C to 85°C
Actuation Force	160 ± 50gF 260 ± 50gF	Storage Temperature	-40°C to 85°C
Acutation Travel	.25 ± .1mm		

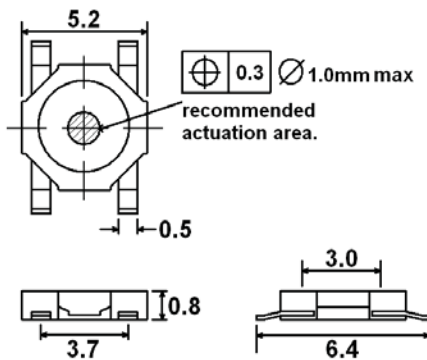
Materials

Actuator	Brass
Housing	4/6 Nylon
Cover	Stainless Steel
Contacts	Stainless Steel, Silver Plated
Terminals	Phosphor Bronze, Silver Plated

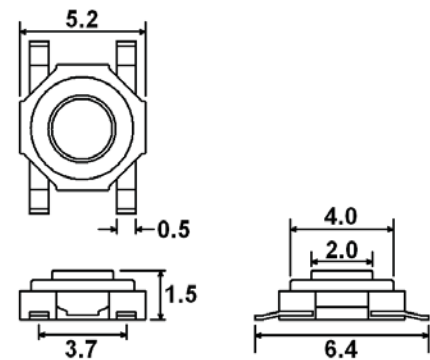
Ordering Information

1. Series	CS1204	F160
	CS1204 CS1204A	
2. Actuation Force	F160 = 160gF F260 = 260gF	

Dimensions

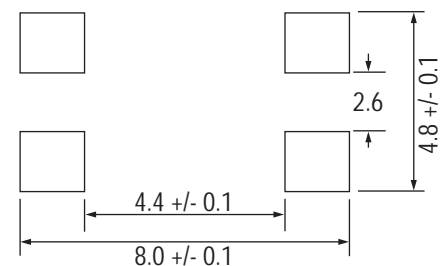
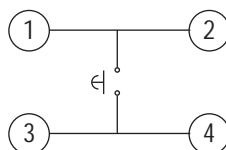


CS1204



CS1204A

Schematic & PC Layout



Specifications and availability subject to change without notice.

Dimensions shown in mm. Dimensions are shown for reference purposes only.