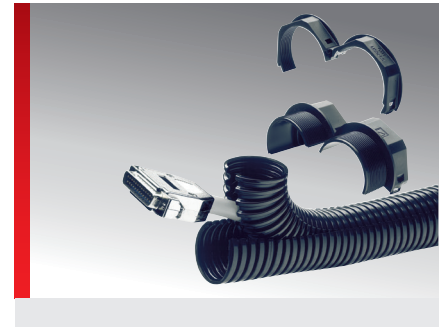
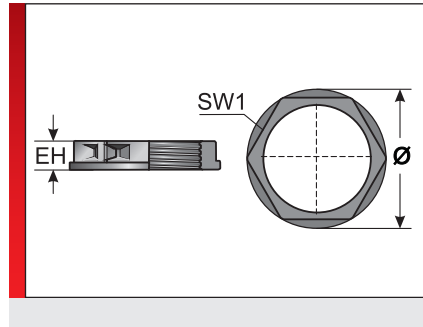


## Type GMT



Hose connection, special threading

### PRODUCT INFORMATION

The GMT split lock nut is made of specially modified polyamide 6. The material is halogen, phosphor and cadmium-free. The lock nuts are used when cable protection conduits fitted with pre-assembled cables need to be fixed or cable protection conduits need to be retrofitted. The GMT is ideal for connecting to our split EWT cable protection conduits and all other Murrflex cable protection conduits.

Particular benefits of the split lock nuts include:

- Subsequent installation or repairs
- Perfect for use with the SVT split conduit fitting
- Very good system tear-out strength
- Compact design
- Easy assembly and disassembly

### SPECIFICATIONS

- Mod. polyamide PA 6
- 30 – 100 °C transient / short term 130 °C
- V0 UL listed material

RoHS
 Made in Germany

Type	Order No.	Colour	EH mm	SW 1 mm	Ø mm	Pack qty.
<b>splittable jam nut</b>						
GMT M16x1.5	83651454	Black	10.00	26.00	30.00	50
GMT M20x1.5	83651456	Black	10.00	26.00	30.00	50
GMT M25x1.5	83651458	Black	10.00	28.00	32.00	50
GMT M32x1.5	83651460	Black	10.00	36.00	42.00	25
GMT M40x1.5	83651462	Black	12.00	46.00	52.00	25
GMT M50x1.5	83651464	Black	12.00	55.00	62.00	10
GMT M63x1.5	83651466	Black	12.00	70.00	79.00	10

### MATERIAL PROPERTIES

Mod. polyamide PA 6

### THERMAL PROPERTIES

**Temperature / temperature range**  
-30 – 100 °C transient / short term 130 °C

### FIRE BEHAVIOUR

**Fire classification**  
V0 UL listed material

### TECHNICAL INFORMATION

**Halogen-free**

## Type GMT

### CONFORMITY

**RoHS** RoHS (EC Directive 2002/95/EC)

### GENERAL INFORMATION

**Made in Germany** Made in Germany

Hose connection, special threading

All details given in our sales material prospectuses and catalogues as well as the information available online are based on our current knowledge of the products described.

The electronic data and files made available by Murrplastik, particularly CAD files are based on our current knowledge of the product described.

A legally binding assurance of certain properties or the suitability for a certain purpose can not be determined from this information.

All information with respect to the chemical and physical properties of Murrplastik products as well as application advice given verbally, in writing or by tests, is given to the best of our knowledge.

This does not free the purchaser of carrying out their own inspections and tests in order to determine the suitability of a product for a specific purpose.

Murrplastik accepts no responsibility for the available information being up-to-date, correct or complete. Neither do we accept responsibility for the quality of this information.

Murrplastik accepts no liability for damage caused as a result of using our products.

Murrplastik reserves the right to make technical changes and improvements through constant further development of products and services.

Our General Terms and Conditions apply.