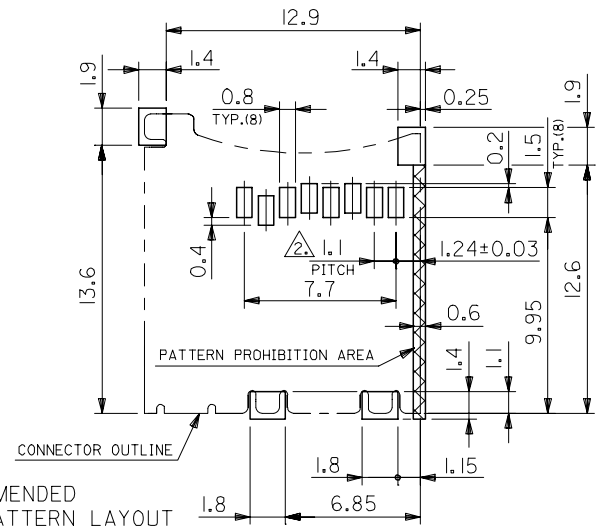
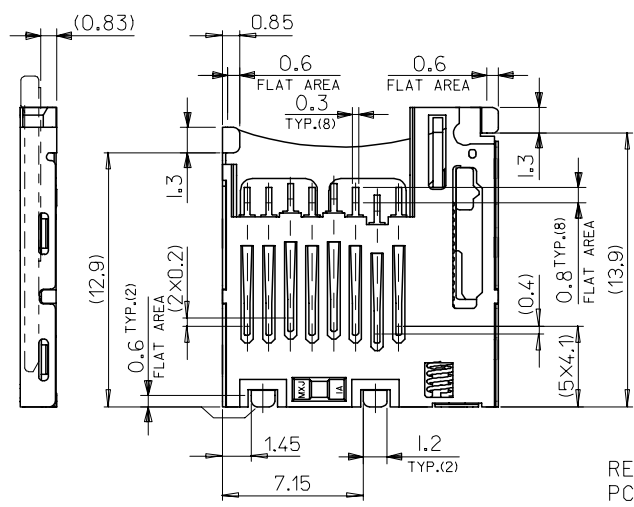
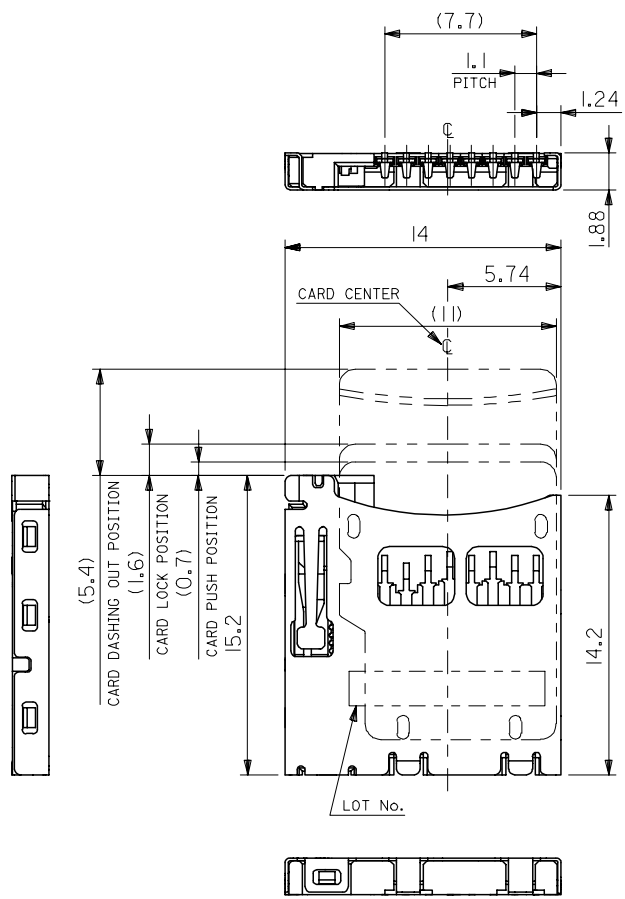


PARTS	QTY	MATERIAL	FINISH
ハウジング HOUSING	1	ガラス入り耐熱樹脂 (LCP), UL94V-0 色:黒 HEAT RESISTANCE POLYMER (LCP), UL94V-0, BLACK	—
スライダーカム SLIDER CAM	1	ガラス入り耐熱樹脂 (LCP), UL94V-0 色:黒 HEAT RESISTANCE POLYMER (LCP), UL94V-0, BLACK	—
ターミナル TERMINAL	8	コルソン銅 CORSON COPPER	接点部: 金メッキ 0.5μm MIN. CONTACT AREA: GOLD 0.5μm MIN. 下地: ニッケルメッキ 2.0μm MIN. UNDER PLATING: NICKEL 2.0μm MIN. 半田付け部: 錫メッキ 1.0μm MIN. SOLDER AREA: TIN 1.0μm MIN.
メタルカバー METAL COVER	1	ステンレス鋼 STAINLESS STEEL	全面: ニッケルメッキ 1.0μm MIN. ALL OVER: NICKEL 1.0μm MIN.
ピン PIN	1	ステンレス鋼 STAINLESS STEEL	—
スプリング SPRING	1	ピアノ線 SWP	全面: ニッケルメッキ ALL OVER: NICKEL



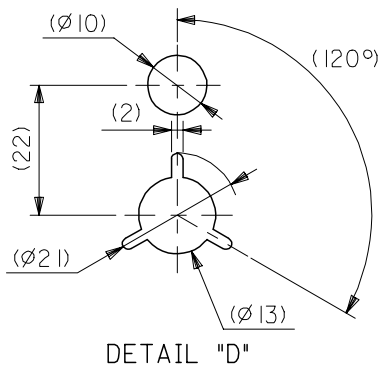
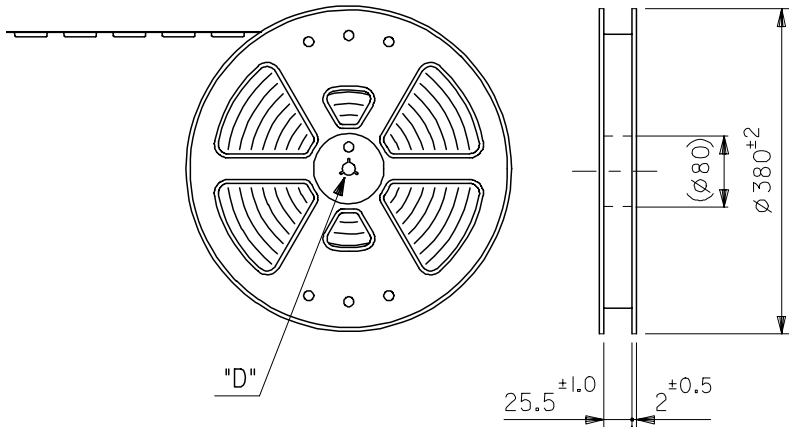
**NOTES**

- ターミナル及びネイルの平坦度は 0.1 MAX.  
TERMINAL AND NAIL COPLANARITY TO BE 0.1 MAX.
- 公差非累積  
TOLERANCE : NON-CUMULATIVE

EMBOSSED TAPE	500873-0806	500873-08**
CONNECTOR ONLY	500873-0807	
PACKAGE	MATERIAL No.	MODEL No.

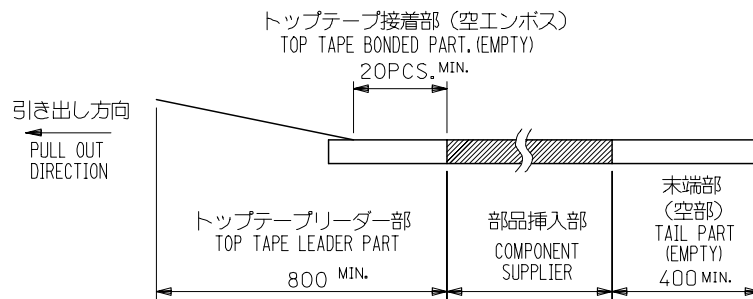
RELEASED EC NO: J2006-2763 DRWNG: SMARUYAMA 2006/03/01 CHKD: 2006/03/02 APPR: S. ICHIKAWA 2006/03/08	GENERAL TOLERANCES (UNLESS SPECIFIED)		DIMENSION STYLE MM ONLY		SCALE 4:1	DESIGN UNITS METRIC	THIRD ANGLE PROJECTION
	10 UNDER	±0.2	DRAWN BY SMARUYAMA	DATE '06/02/16	TITLE <b>TFR MEMORY CARD CONN.          PUSH/PUSH NORMAL TYPE</b>		
	10 OVER 30 UNDER	±0.25	CHECKED BY S. ICHIKAWA	DATE '06/02/16			
	30 OVER	±0.3	APPROVED BY S. ICHIKAWA	DATE '06/02/16			
ANGULAR	±3 °	MATERIAL NO. SEE CHART		DOCUMENT NO. SD-500873-008		SHEET NO. 1 OF 1	
DRAFT WHERE APPLICABLE MUST REMAIN WITHIN DIMENSIONS		SIZE A3		THIS DRAWING CONTAINS INFORMATION THAT IS PROPRIETARY TO MOLEX INCORPORATED AND SHOULD NOT BE USED WITHOUT WRITTEN PERMISSION			

引き出し方向  
PULL OUT DIRECTION

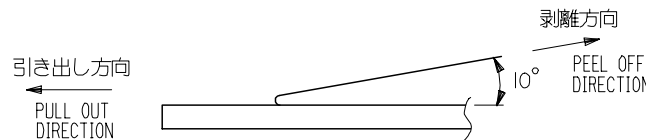


NOTES

- 製品詳細寸法については、SD図面を参照下さい。  
RE DETAILED DIMENSION, SEE SALES DRAWING.
- 梱包数量：1400 個/リール  
NUMBER OF CONNECTORS : 1400PCS/REEL
- リードテープ長さ LEAD TAPE LENGTH



- トップテープの剥離強度：0.1N~1.3N (10.2gf~130gf) (剥離方向は下図参照) 尚、本規格値は出荷時に適用。(但し、輸送時に剥離が発生しないこと。)  
PEELING OFF FORCE OF TOP TAPE : 0.1N~1.3N (10.2gf~130gf)  
(PEELING DIRECTION AS SHOWN IN FOLLOWING FIG.)  
THIS REQUIREMENT SHOULD BE APPLIED AT SHIPMENT.  
PEEL OFF SHOULD NOT BE ALLOWED , DURING TRANSPORTATION.

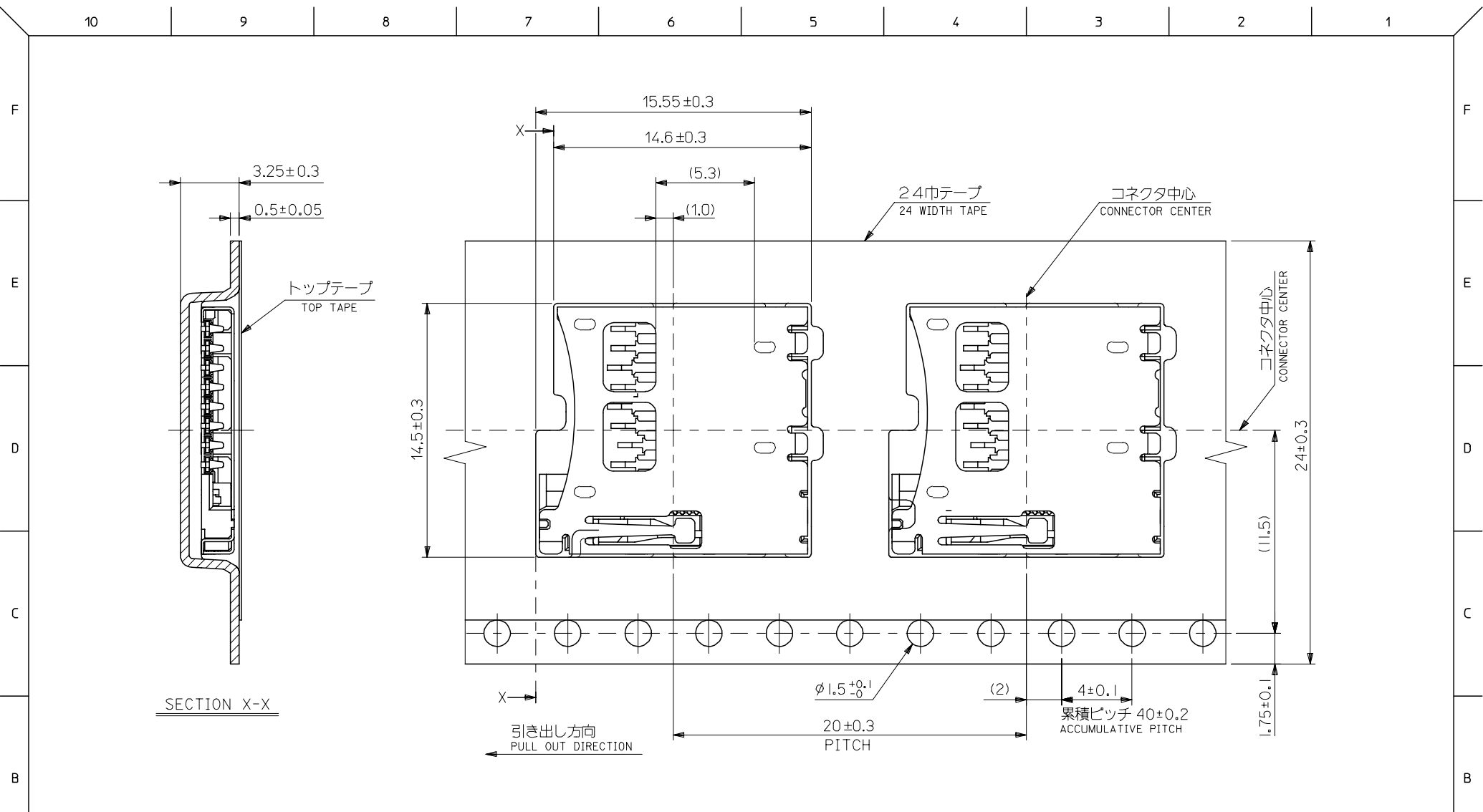


5. 材料 (MATERIAL)

キャリアテープ (CARRIER TAPE) : ポリスチレン (POLYSTYRENE)  
トップテープ (TOPTAPE) : PET, PE, PEF  
リール (REEL) : ポリスチレン (PS) <リサイクル材を含む>  
POLYSTYRENE (PS) <RECYCLE MATERIAL CONTAINED>

500873-0807	500873-0806	500873-08**
CONNECTOR NO.	MATERIAL NO.	MODEL NO.

RELEASED EC NO: J2007-0585 DRWNS: MARUYAMA 2006/08/30 CHKD: 2006/08/31 APPR: Y01TO 2006/09/08 REV: 0	GENERAL TOLERANCES (UNLESS SPECIFIED)		DIMENSION STYLE MM ONLY		SCALE ---	DESIGN UNITS METRIC	THIRD ANGLE PROJECTION
	10 UNDER	±0.2	DRAWN BY S. MARUYA	DATE 2006/02/16	TITLE TFR CARD CONN. EMBOSSSED TAPE PACKAGE		
	10 OVER 30 UNDER	±0.25	CHECKED BY S. ICHIKAWA	DATE 2006/02/16	MOLEX MOLEX INCORPORATED		
	30 OVER	±0.3	APPROVED BY S. ICHIKAWA	DATE 2006/02/16	DOCUMENT NO. SD-500873-009		
	ANGULAR	±3 °	MATERIAL NO. 500873-0806		SHEET NO. 1 OF 2		
DRAFT WHERE APPLICABLE MUST REMAIN WITHIN DIMENSIONS		SIZE A3		THIS DRAWING CONTAINS INFORMATION THAT IS PROPRIETARY TO MOLEX INCORPORATED AND SHOULD NOT BE USED WITHOUT WRITTEN PERMISSION			



RELEASED EC NO: J2007-0585 DRWNS: MARUYAMA 2006/08/30 CHKD: 2006/08/31 APPR: Y01TO 2006/09/08	GENERAL TOLERANCES (UNLESS SPECIFIED)		DIMENSION STYLE MM ONLY		SCALE ---	DESIGN UNITS METRIC	THIRD ANGLE PROJECTION	
	10 UNDER	±0.2	DRAWN BY S. MARUYA	DATE 2006/02/16	TITLE TFR CARD CONN. EMBOSSSED TAPE PACKAGE			
	10 OVER 30 UNDER	±0.25	CHECKED BY S. ICHIKAWA	DATE 2006/02/16				
	30 OVER	±0.3	APPROVED BY S. ICHIKAWA	DATE 2006/02/16	MOLEX INCORPORATED			
	ANGULAR	±3 °	MATERIAL NO. 500873-0806					
DRAFT WHERE APPLICABLE MUST REMAIN WITHIN DIMENSIONS		SIZE A3		THIS DRAWING CONTAINS INFORMATION THAT IS PROPRIETARY TO MOLEX INCORPORATED AND SHOULD NOT BE USED WITHOUT WRITTEN PERMISSION				