

THIS DRAWING IS UNPUBLISHED.

RELEASED FOR PUBLICATION

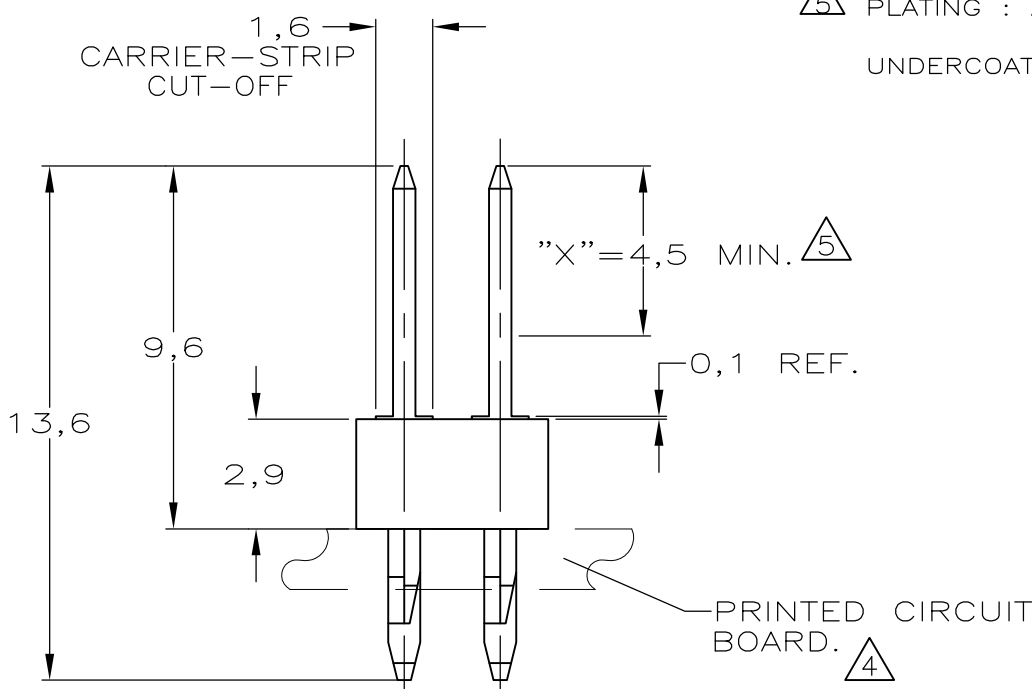
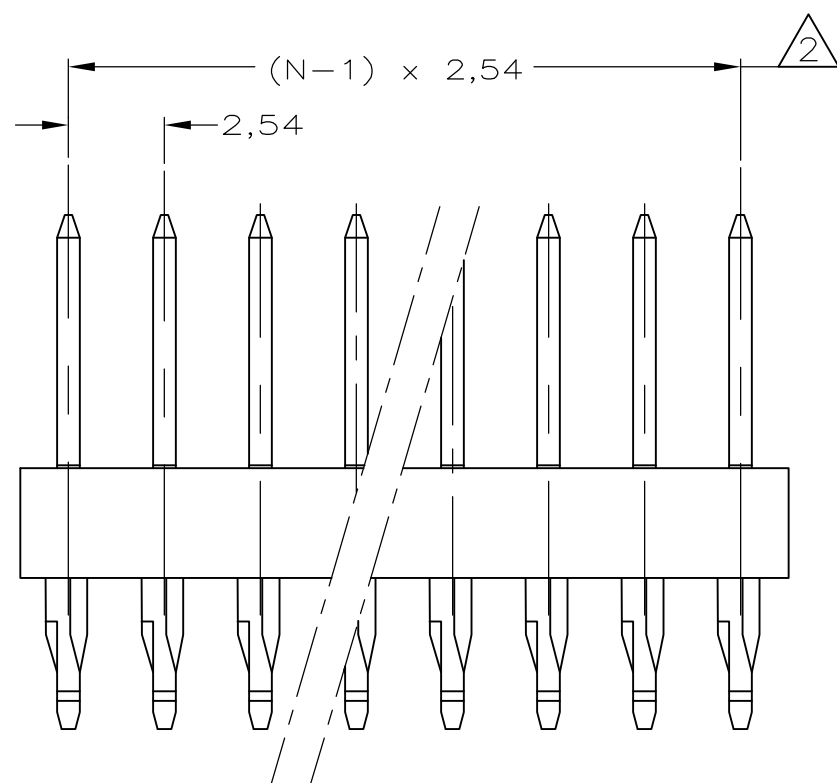
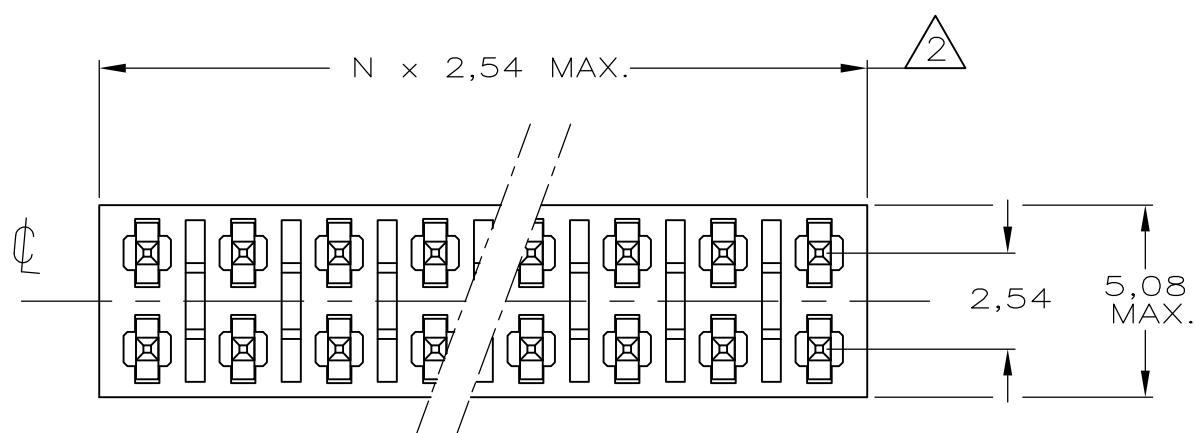
ALL RIGHTS RESERVED.

© COPYRIGHT - By -

LOC	DIST	REVISIONS					
		P	LTR	DESCRIPTION	DATE	DWN	APVD
-	-	C1		DRAWING TITLE CORRECTION	19NOV2015	KJK	PS

NOTES:

- 1. CONTACT HOUSING RETENTION FORCE >1,5 N
- 2 TO DETERMINE DIMENSIONS TAKE N = Nr. OF POSITIONS.  
FOR EXAMPLE 10 POS. : N x 2,54 = 25,40 mm
- 3 MATERIAL HOUSING : GREEN GLASSFILLED POLYESTER.  
MATERIAL CONTACT : PHOSPHOR BRONZE  
FOR ORDERNR. USE BASIC NR. + NR OF POSITIONS.  
FOR EXAMPLE : 2 POS.= 215447-2 (SHORTEST VERSION)  
40 POS.=4-215447-0 (LONGEST VERSION)
- 4 ACTION PIN SUITABLE FOR 1,6mm MIN. P.C.BOARD THICKNESS.
- 5 PLATING : AREA "X" Au-PLATED 0,76µm THICKNESS.  
ACTION-PIN AREA, Sn PLATED 1,27µm THICKNESS.  
UNDERCOATING : 1,27µm Ni ALL OVER.



P.C.B. HOLE DIM. ACTION PIN	
DRILLED HOLE	: 1,15 ±0,025 mm
FIN. HOLE	: 0,94 to 1,09 mm
AFTER REFLOW	: 0,91 to 1,09 mm
Cu-thks	: 0,025 to 0,075 mm
Sn-thks	: 0,004 to 0,010 mm

THIS DRAWING IS A CONTROLLED DOCUMENT.		DWN	01.02.1988		<b>STE</b> TE Connectivity
		CHK	L.V.D.HEIJDEN		
		APVD	P.V.D.HAGEN		
		PRODUCT SPEC	-		
DIMENSIONS:		TOLERANCES UNLESS OTHERWISE SPECIFIED:		NAME	
mm		±0.2mm		MOD II ACTION PIN HEADER, DUAL ROW	
		0 PLC ± -		SIZE	
		1 PLC ± -		CAGE CODE	
		2 PLC ± -		DRAWING NO	
		3 PLC ± -		RESTRICTED TO	
4 PLC ± -		4 PLC ANGLES ± -		A3 00779 C-215447	
MATERIAL		FINISH		SCALE	
SEE NOTES		SEE NOTES		5:1	
		WEIGHT		SHEET	
		-		1 OF 1	
		CUSTOMER DRAWING		REV	
				C1	