

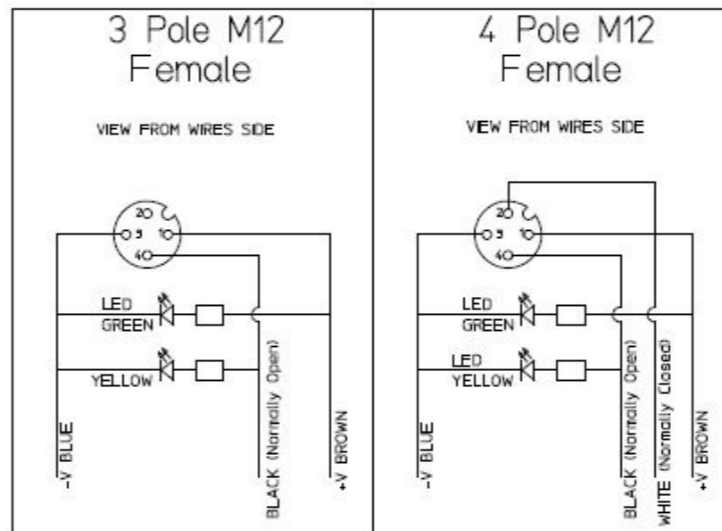
TABLE 1

MATERIAL NO.	ENGINEERING NO.	CABLE LENGTH
1200070281	8830P3S20M010	1m
* 1200675035	8830P3I03M015	1.5m
* 1200675036	8830P3I03M100	10m
* 1200675065	8830P3I03M080	8m
1200675066	8830P3S20M020	2m
* 1200675076	8830P3I03M050	5m
* 1200675096	8830P3I03M060	6m
1200678060	8830P3E03M050	5m
* 1200678061	8830P3I03M020	2m
1200678062	8830P3P03M010	1m
1200678063	8830P3S20M006	0.6m
1200678177	8830P3E03M006	0.6m
1200678266	8830P3P03M006	0.6m
* 1200678355	8830P3I03M100Y	10m
* 1200678363	8830P3I03M050Y	5m
* 1200678416	8830P3I03M060Y	6m
* 1200678418	8830P3S20M010H	1m

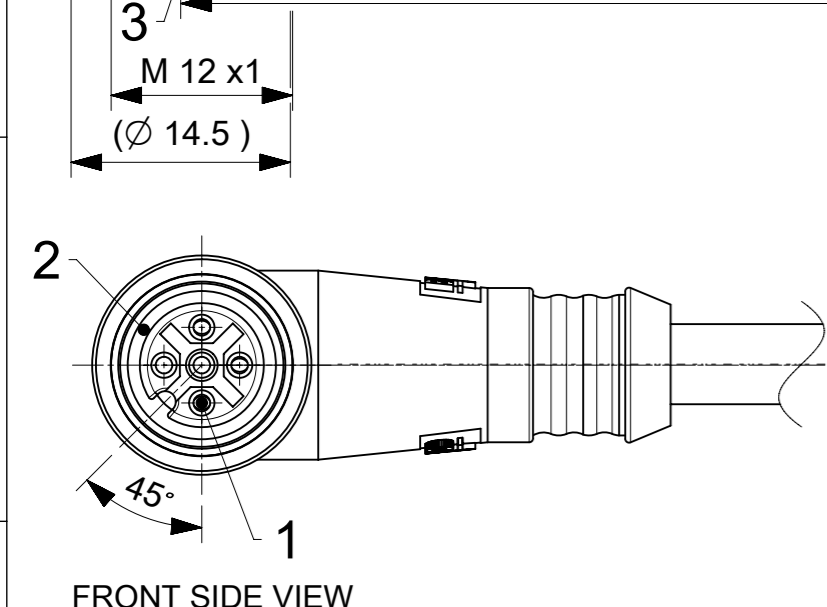
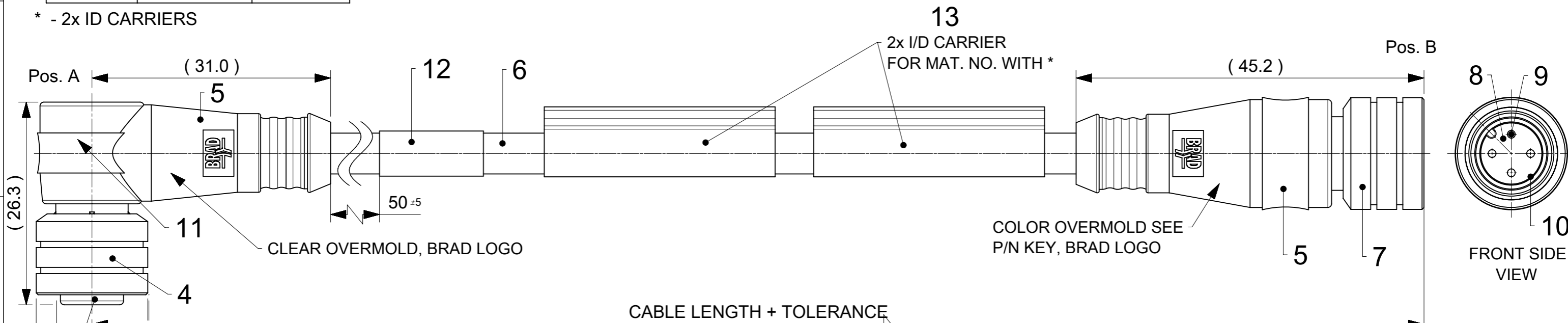
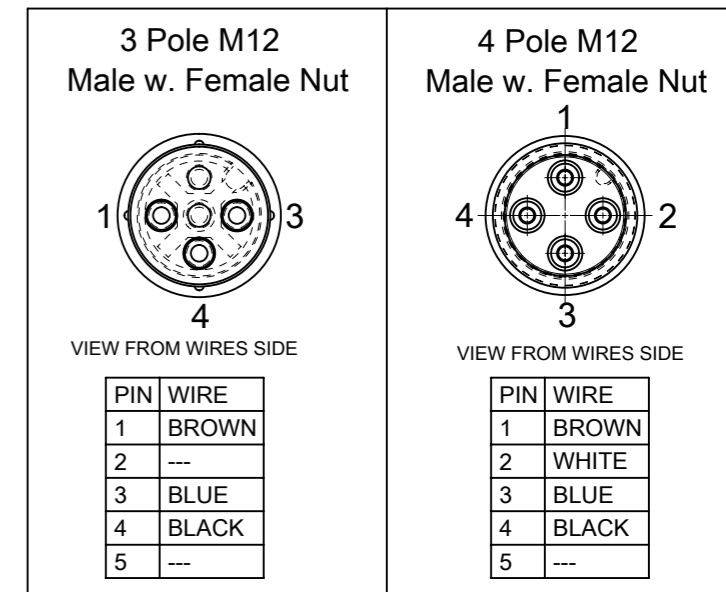
CABLE LENGTH TOLERANCES		
LENGTH	TOLERANCE	
shorter 1m	+40 mm	-0 mm
1m-5m	+60 mm	-0 mm
5m-10m	+80 mm	-0 mm
10m-20m	+140 mm	-0 mm
20m-30m	+160 mm	-0 mm
longer 30m	+1%	-0 mm

* - 2x ID CARRIERS

Pos. A



Pos. B



FOR OPTIONS SEE
NUMERICAL CODE
ON SHEET 2

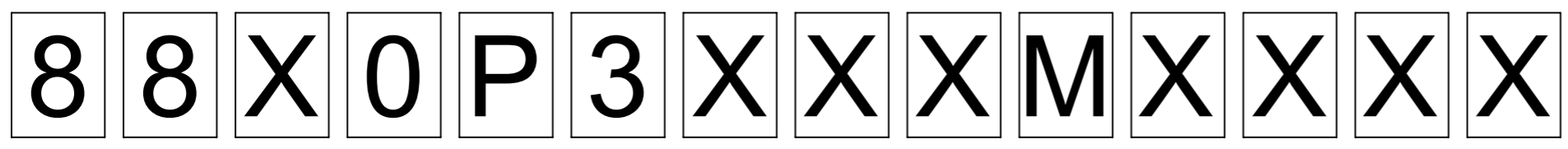
NOTES:
CONTACT CURRENT RATING: 3-5 POLES 4A
VOLTAGE RATING: 3-4 POLES 250V
PROTECTION CLASS: IP 67
TEMPERATURE: -25°C / +85°C

ITEM	QTY.	DESCRIPTION	MATERIAL	FINISH
13	2	I/D CARRIER	PVC	---
12	1	LABEL OR PRINTING	VINYL	---
11	1	MMC-PNP LED PCB	FR4	---
10	1	O-RING GASKET BK	NBR	---
9	3 / 4	CONTACT M12 MALE	BRASS	Ni + Au
8	1	INSERT MALE BLACK	NYLON	---
7	1	COUPLING NUT FEMALE	TEFLON	NICKEL
6	-	CABLE	SEE SHEET 2	---
5	2	OVERMOLD	TPU	---
4	1	COUPLING NUT FEMALE	BRASS	NICKEL
3	1	INSERT FEMALE BLACK	PUR	---
2	1	ORING RED	FPM	---
1	3 / 4	CONTACT M12 FEMALE	BRONZE	Ni PLATED

SYMBOLS	THIS DRAWING CONTAINS INFORMATION THAT IS PROPRIETARY TO MOLEX ELECTRONIC TECHNOLOGIES, LLC AND SHOULD NOT BE USED WITHOUT WRITTEN PERMISSION		CURRENT REV DESC: FIRST RELEASE	
	mm	SCALE 2:1		
GENERAL TOLERANCES (UNLESS SPECIFIED)		EC NO: 604672		
ANGULAR TOL ± 1.0°		DRWN: RSCHIEBER 2017/11/15		
4 PLACES ±		CHK'D: RSILLER 2018/09/21		
3 PLACES ±		APPR: RSILLER 2018/09/21		PRODUCT CUSTOMER DRAWING DOCUMENT NUMBER: 1200678418 DOC TYPE: PSD DOC PART: 000 REVISION: A
2 PLACES ± 0.05		INITIAL REVISION:		
1 PLACE ± 0.1		DRWN: RSCHIEBER 2017/11/15		MATERIAL NUMBER: SEE TABLE 1 CUSTOMER: GENERAL MARKET SHEET NUMBER: 1 OF 2
0 PLACES ± 0.2		APPR: RSILLER 2018/09/21		
DRAFT WHERE APPLICABLE MUST REMAIN WITHIN DIMENSIONS		THIRD ANGLE PROJECTION	DRAWING: A3-SIZE	SERIES: 120067

ENGINEERING NO. - NUMERICAL CODE (Available parts see PART LIST table. Other parts available upon request).

OPTIONS



88=M12x1
Double ended

Poles:
3=3 Poles
4=4 Poles
5=5 Poles
8=8 Poles

Heads style:
0P3=PNP Female 90°
to Male Straight
with Female thread

Cable type: See Table

Units:
M=Meter
C=Centimeter
T=10x Meter

Length
Examples:
005=0.5 units
010=1 units
020=1 units
050=5 units
100=10 units
150=15 units
200=20 units

Overmold color:
Blank (Standard)=Black
A=Grey / G=Black / Y=Yellow / R=Red

H= 2 pcs. of I/D Carrier PVC Transparent
(Cables lxx & P82 always with
2 pcs. I/D Carrier)

CABLE INFORMATION

CABLE	COUPLING NUT MATERIAL	OVERMOLD
Exx PVC	NICKEL PLATED BRASS	PUR
HOx LSOH PUR	NICKEL PLATED BRASS	PUR
H52 LSOH PUR	TEFLON COATED BRASS	PUR
IOx CEI, UNBRAIDED	NICKEL PLATED BRASS	PUR
I2x CEI, BRAIDED	TEFLON COATED BRASS	PUR
Lxx PUR	NICKEL PLATED BRASS	PUR
Mxx PUR / PVC	NICKEL PLATED BRASS	PUR
Pxx PUR	NICKEL PLATED BRASS	PUR
P8x PUR, IRRADIATED	TEFLON COATED BRASS	PUR
S2x SJTO TYPE PVC	TEFLON COATED BRASS	PUR

SYMBOLS ▽ = 0 ▽ = 0 ▽ = 0 ▽ = 0 ▽ = 0 ▽ = 0 ▽ = 0 ▽ = 0 ▽ = 0 ▽ = 0 ▽ = 0	THIS DRAWING CONTAINS INFORMATION THAT IS PROPRIETARY TO MOLEX ELECTRONIC TECHNOLOGIES, LLC AND SHOULD NOT BE USED WITHOUT WRITTEN PERMISSION DIMENSION UNITS: mm SCALE: 1:1 GENERAL TOLERANCES (UNLESS SPECIFIED) ANGULAR TOL ± 1.0° 4 PLACES ± 3 PLACES ± 2 PLACES ± 0.05 1 PLACE ± 0.1 0 PLACES ± 0.2 DRAFT WHERE APPLICABLE MUST REMAIN WITHIN DIMENSIONS	CURRENT REV DESC: FIRST RELEASE EC NO: 604672 DRWN: RSCHIEBER 2017/11/15 CHK'D: RSILLER 2018/09/21 APPR: RSILLER 2018/09/21 INITIAL REVISION: DRWN: RSCHIEBER 2017/11/15 APPR: RSILLER 2018/09/21	 CSE M12 M12 LED PNP XP AC FE RA MA STR XM DE PRODUCT CUSTOMER DRAWING
	DOCUMENT NUMBER: 1200678418		DOC TYPE: PSD DOC PART: 000 REVISION: A
	THIRD ANGLE PROJECTION:	DRAWING: A3-SIZE SERIES: 120067	MATERIAL NUMBER: SEE TABLE 1 CUSTOMER: GENERAL MARKET SHEET NUMBER: 2 OF 2