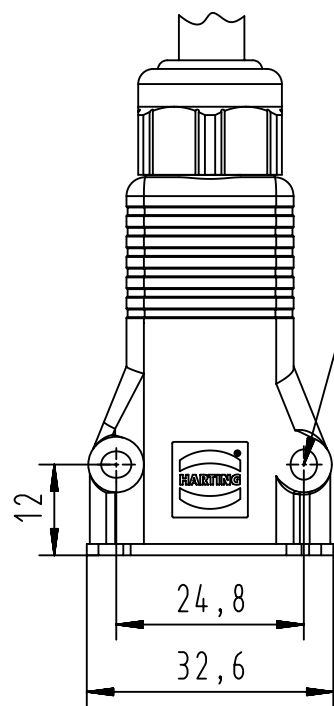
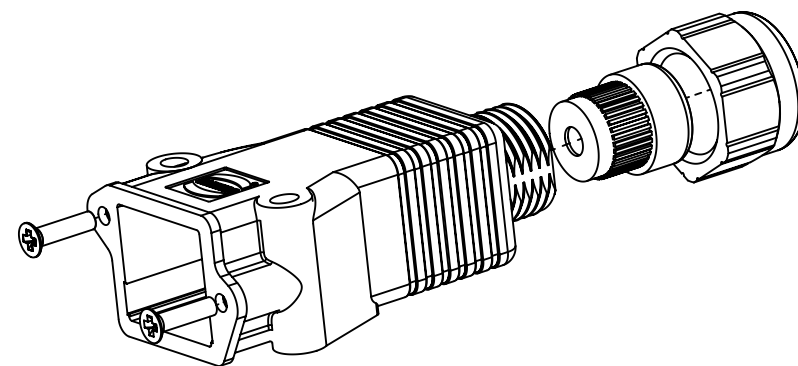
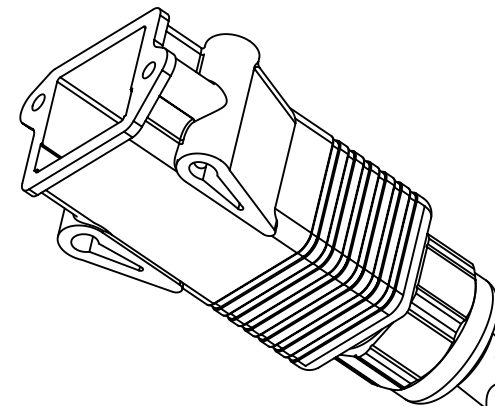
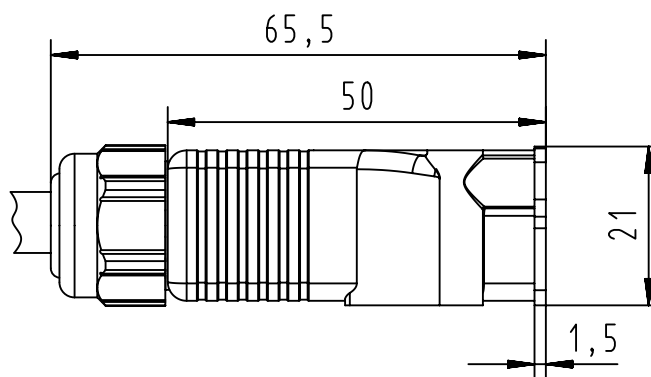
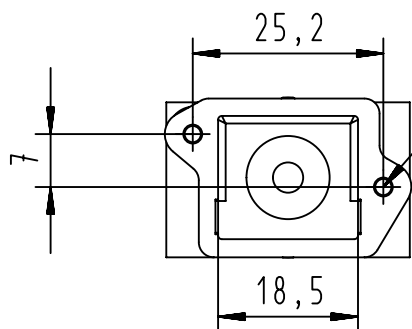


2X 2,5x8mm self tapping screws




2X M3 Max

Cables diameters: 6,5 to 9,5mm

Nut torque : between 2 and 4Nm

Torque of included 2 self tapping screws \varnothing 2,5X8mm: between 0,4 and 0,5Nm

	All Dimensions in mm Original Size DIN A4		Scale 1:1		Free size tol.		Ref.		
	All rights reserved		Created by MAILLARDS		Inspected by BHUTANI		Standardisation KOHLER		
Department EC PD - FR		Date 2012-07-11		State Final Release		Doc-Key / ECM-Nr. 100228781/UGD/001/B 500000053088			
HARTING Electronics GmbH D-32339 Espelkamp		Title HPP V4 cable hood 6,5-9,5mm				Rev. B		Page 1/1	
		Type TB		Number 09453450000					