

NOTES:

- MATERIAL:  
METAL SHELL: BRASS  
HOUSING: POLYAMIDE, UL94 V-0, COLOR BLACK  
INSERT: POLYAMIDE, UL94 V-0, COLOR BLACK  
TERMINAL: PHOSPHOR BRONZE
- PLATING:  
TERMINAL:  
CONTACT AREA: GOLD(Au), THICKNESS=50 MICROINCH/1.27 MICROMETER  
SOLDER TAIL: TIN(Sn), THICKNESS=100 MICROINCH MINIMUM  
UNDER PLATE: NICKEL (Ni), THICKNESS=50 MICROINCH/1.27 MICROMETER  
METAL SHELL:  
SOLDER AREA: TIN(Sn), THICKNESS=100 MICROINCH MINIMUM  
UNDER PLATE: NICKEL (Ni), (SOLDERING AVAILABLE)  
SURFACE APPEARANCE: BRIGHT.
- RECOMMENDED PCB THICKNESS: 1.60±0.05
- PRODUCT SPECIFICATION REFER TO PS-48025-002
- TEST SUMMARY REFER TO TS-48025-005
- PACKAGING SPECIFICATION REFER TO PK-48025-001
- LEAD FREE AND ROHS COMPLIANCE PRODUCT.

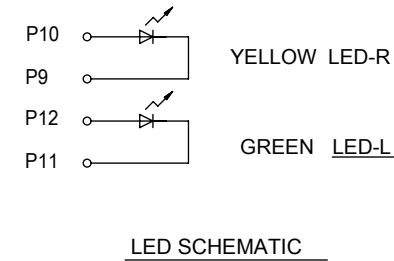
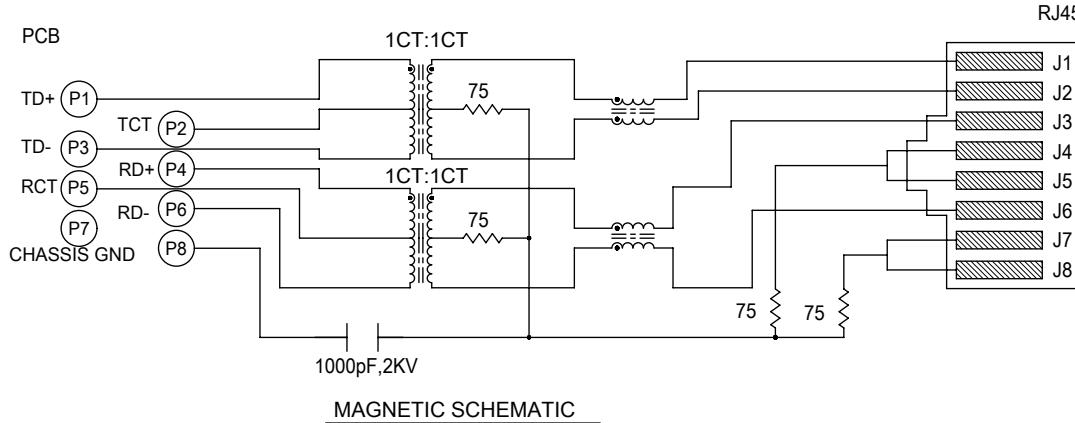
THIS DRAWING CONTAINS INFORMATION THAT IS PROPRIETARY TO MOLEX ELECTRONIC TECHNOLOGIES, LLC AND SHOULD NOT BE USED WITHOUT WRITTEN PERMISSION											
QUALITY SYMBOLS	EC NO: 168908 DRWN: MFAN08 CHK'D: MFAN08 APPR: XQHE	2017/11/21 2017/12/01 2017/12/01	GENERAL TOLERANCES (UNLESS SPECIFIED)		DIMENSION UNITS		SCALE				
			ANGULAR TOL ± 3.0 °		mm		1:1				
▽ = 0	DRAFT WHERE APPLICABLE MUST REMAIN WITHIN DIMENSIONS	C	4 PLACES ±	DRWN BY		DATE		MODULAR JACK WITH INTEGRATED MAGNETICS LED (LEAD FREE VERSION)			
▽ = 0			3 PLACES ±	RLI09		2012/05/23					
▽ = 0			2 PLACES ± 0.25	CHK'D BY		DATE					
▽ = 0			1 PLACE ± 0.25	MFAN08		2017/12/01					
▽ = 0			0 PLACES ±	APPR BY		DATE					
▽ = 0				RZHANG		2012/06/22					
▽ = 0		DRAWING SIZE		THIRD ANGLE PROJECTION		SERIES		MATERIAL NUMBER		CUSTOMER	
			A4			48025		480254000		GENERAL MARKET	
						DOCUMENT NUMBER		DOC TYPE		DOC PART SHEET NUMBER	
						SD-48025-005		PSD		001 1 OF 2	

MAGNETIC ELECTRICAL SPECIFICATIONS:

- 1.0 TURNS RATIO:(P4-P5-P6):(J3-J6):1CT:1CT  
(P3-P2-P1):(J1-J2):1CT:1CT
- 2.0 INDUCTANCE:(P4-P6):350uH MIN. @0.1V,100KHz,8mA DC Bias.  
(P3-P1):350uH MIN. @0.1V,100KHz,8mA DC Bias.
- 3.0 LEAKAGE INDUCTANCE:P6-P5-P4(WITH J6 AND J3 SHORT):0.3 MAX.@1MHz.  
P3-P2-P1(WITH J2 AND J1 SHORT):0.3 MAX.@1MHz.
- 4.0 INTERWINDING CAPACITANCE:(P6,P5,P4) TO (J6,J3):30pf MAX @1MHz.  
(P3,P2,P1) TO (J2,J1):30pf MAX @1MHz.
- 5.0 DC RESISTANCE:(J6-J3)=(J2-J1):1.3 ohms Max.
- 6.0 RETURN LOSS:(P4-P6)(P1-P3)  
1MHz TO 30MHz:18dB min.  
30MHz TO 80MHz:12dB min.  
NOTE:100 OHMS CONNECTED TO (J2-J1) OR (J3-J6).
- 7.0 HI-POT:(J1,J2) TO (P1,P3):1500 VAC OR 2250 VDC.  
(J3,J6) TO (P4,P6):1500 VAC OR 2250 VDC.
- 8.0 INSERTION LOSS:1.1 dB MAX.  
100KHz TO 100MHz.
- 9.0 CROSS TALK:1-100 MHz:30 dB MIN.
- 10.0 COMMON TO COMMON MODE REJECTION:1MHz TO 100MHz:35 dB MIN.

LED ELECTRICAL SPECIFICATION

PARAMETER	YELLOW (TYP.)		GREEN (TYP.)		UNITS	TEST CONDITIONS
POWER DISSIPATION	105		105		mW	
REVERSE VOLTAGE	5		5		V	
PEAK WAVELENGTH	585		565		nm	IF=20mA
FORWARD VOLTAGE	2.1	MAX.=2.5	2.2	MAX.=2.5	V	IF=20mA



<b>QUALITY SYMBOLS</b> 	THIS DRAWING CONTAINS INFORMATION THAT IS PROPRIETARY TO MOLEX ELECTRONIC TECHNOLOGIES, LLC AND SHOULD NOT BE USED WITHOUT WRITTEN PERMISSION									
	2017/11/21 2017/12/01 2017/12/01	<b>GENERAL TOLERANCES (UNLESS SPECIFIED)</b> ANGULAR TOL ± 3.0 ° 4 PLACES ± 3 PLACES ± 2 PLACES ± 0.25 1 PLACE ± 0.25 0 PLACES ±		DIMENSION UNITS mm	SCALE 1:1					
EC NO: 168908 DRWN: MFAN08 CHK'D: MFAN08 APPR: XQHE	DRAFT WHERE APPLICABLE MUST REMAIN WITHIN DIMENSIONS		DRWN BY RLI09	DATE 2012/05/23	<b>PRODUCT CUSTOMER DRAWING</b>					
			CHK'D BY MFAN08	DATE 2017/12/01	SERIES: 48025   MATERIAL NUMBER: 480254000   CUSTOMER: GENERAL MARKET					
			APPR BY RZHANG	DATE 2012/06/22	DOCUMENT NUMBER: SD-48025-005   DOC TYPE: PSD   DOC PART: 001   SHEET NUMBER: 2 OF 2					