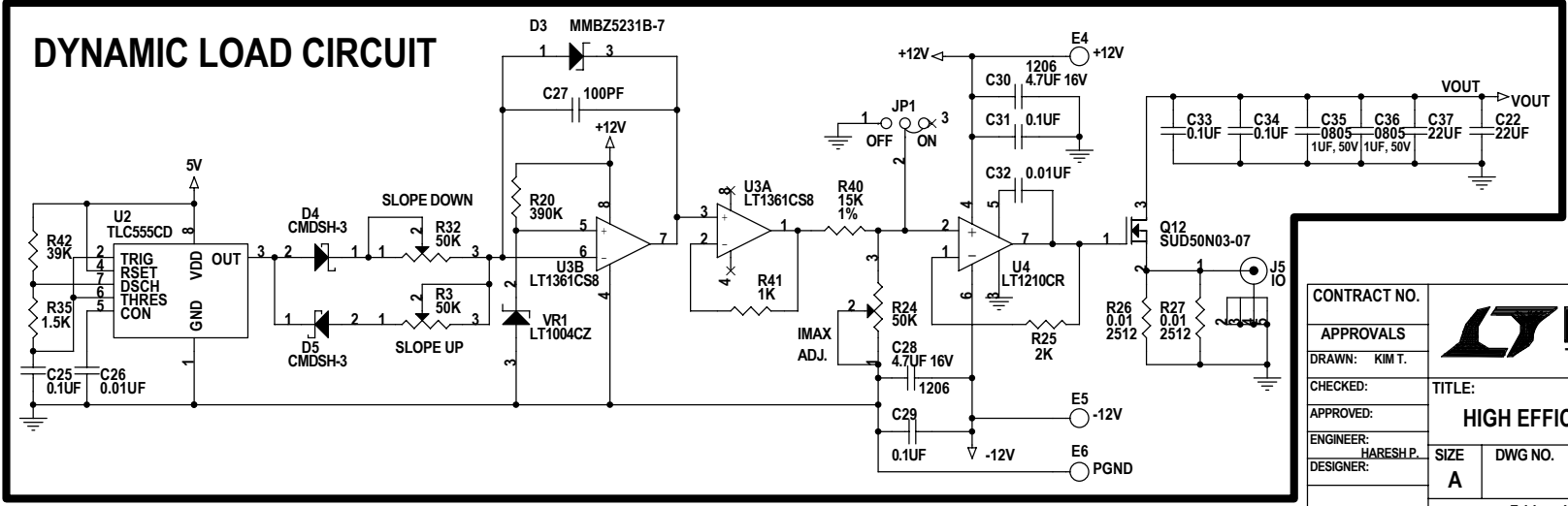


NOTES: UNLESS OTHERWISE SPECIFIED

1. ALL RESISTORS ARE IN OHMS, 0603.
2. THERE ARE 3 ASSEMBLY TYPES FOR THIS DESIGN (A,B, AND C). FOR ALL TBD VALUES, PLEASE SEE TABLE OF CONTENTS:

TABLE OF CONTENTS

REF. DES.	-A 23Amax	-B 15Amax	-C 13Amax
C16,17	270UF	OPT	OPT
Q5,6,8	IRF7811A	OPT	OPT
R9	95.3K	196K	261K
R11	10K	14K	38.3K
R17	13.7K	17.4K	15.8K
R18	88.7K	124K	113K
R21	0.004	0.006	0.003
R22	0.004	0.006	OPT
R30	11K	13.3K	18.7K
R31	8.87K	9.09K	10K
R34	20.5K	51.1K	39.2K



CONTRACT NO.		1630 McCarthy Blvd. Milpitas, CA 95035 Phone: (408)432-1900 Fax: (408)434-0507 LTC Confidential-For Customer Use Only	
APPROVALS		TITLE:	HIGH EFFICIENCY NOTEBOOK CPU PWR SUPPLY
DRAWN: KIM T.	CHECKED:	SIZE	DWG NO.
APPROVED:	DESIGNER: HARESH.P.	A	DC389A-2 * LTC3778EF
DATE: Friday, June 28, 2002	SHEET 1 OF 1	REV	A