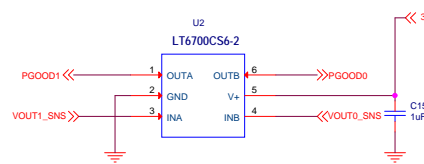
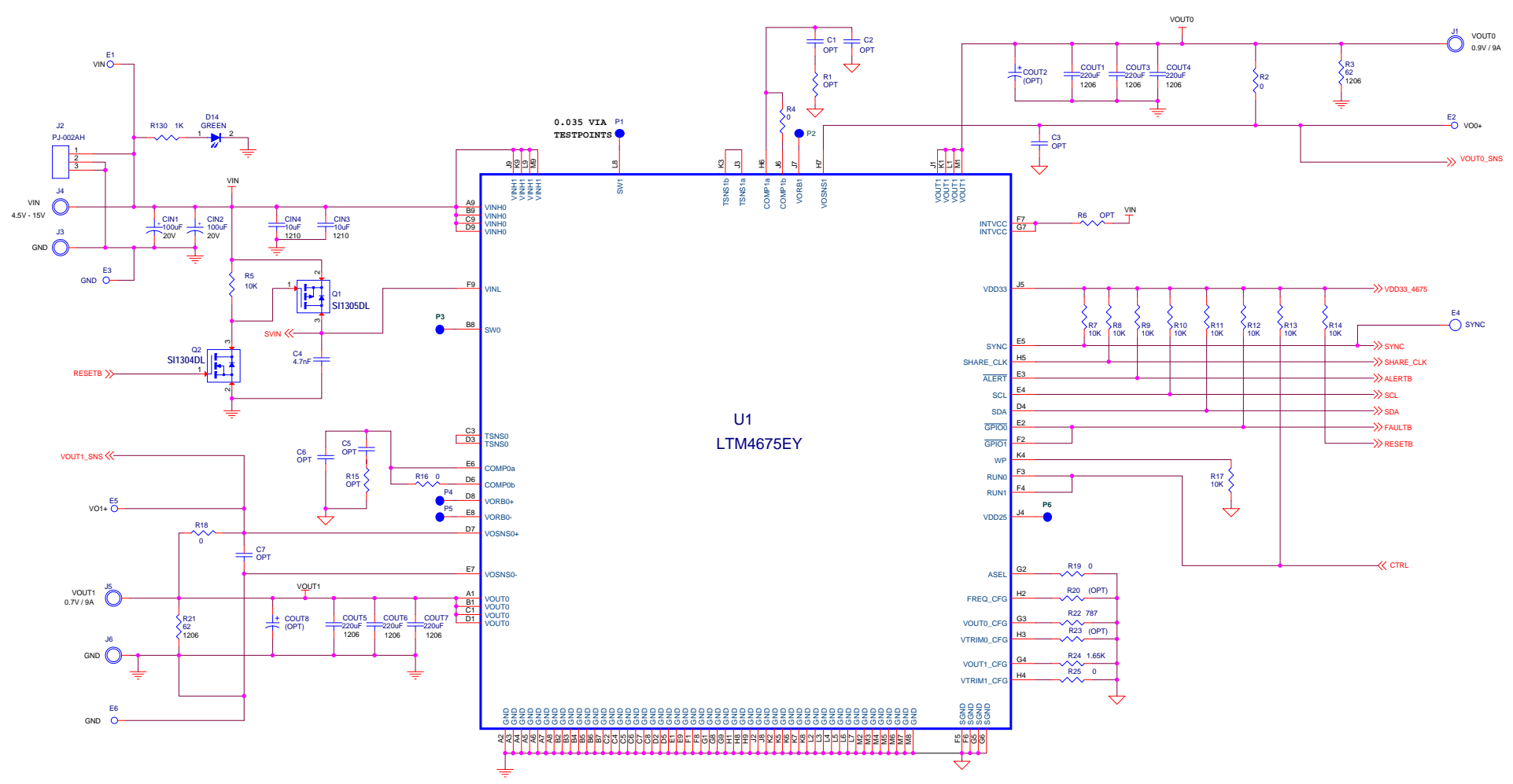


REVISION HISTORY				
ECO	REV	DESCRIPTION	APPROVED	DATE
1	1	PRODUCTION	Haoran W.	2-6-17



NOTE: UNLESS OTHERWISE SPECIFIED

- 1. ALL RESISTORS ARE 0603.
- ALL CAPACITORS ARE 0603.

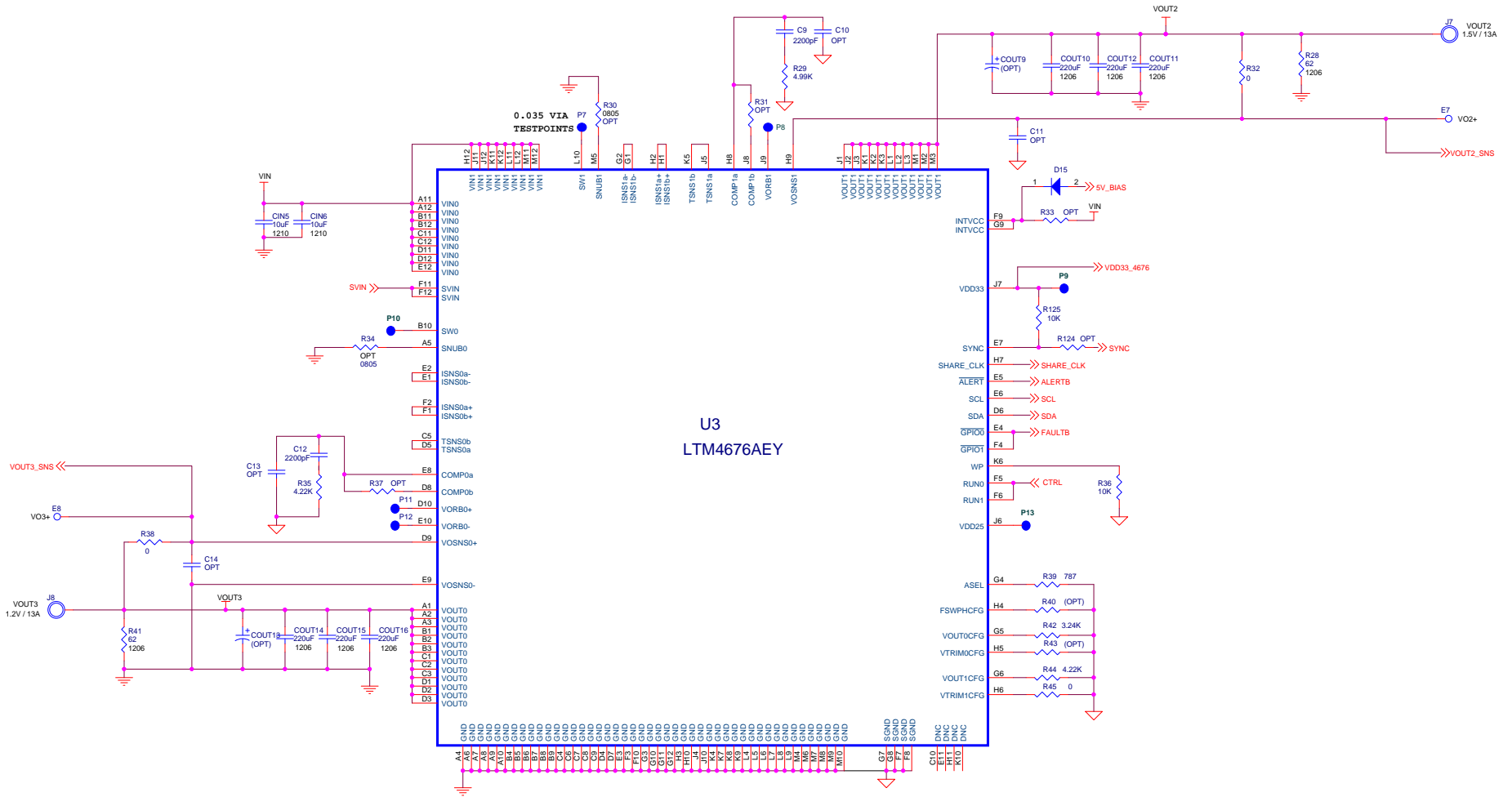
WHEN VIN < 5.75V, SHORT INTVCC TO VIN WITH R6, R33, R50 = 0ohm.  
 FOR LOW POWER DEMO ONLY, USE DC POWER JACK J20 TO PROVIDE 12V VIN;  
 FOR FULL POWER DEMO, USE BANANA JACK J1 TO PROVIDE 12V VIN.

**CUSTOMER NOTICE**  
 LINEAR TECHNOLOGY HAS MADE A BEST EFFORT TO DESIGN A CIRCUIT THAT MEETS CUSTOMER-SUPPLIED SPECIFICATIONS; HOWEVER, IT REMAINS THE CUSTOMER'S RESPONSIBILITY TO VERIFY PROPER AND RELIABLE OPERATION IN THE ACTUAL APPLICATION. COMPONENT SUBSTITUTION AND PRINTED CIRCUIT BOARD LAYOUT MAY SIGNIFICANTLY AFFECT CIRCUIT PERFORMANCE OR RELIABILITY. CONTACT LINEAR TECHNOLOGY APPLICATIONS ENGINEERING FOR ASSISTANCE.

THIS CIRCUIT IS PROPRIETARY TO LINEAR TECHNOLOGY AND SUPPLIED FOR USE WITH LINEAR TECHNOLOGY PARTS.

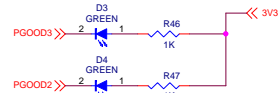
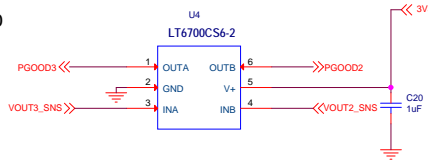
APPROVALS	
PCB DES.	HZ
APP ENG.	Haoran W.
SCALE = NONE	


	1630 McCarthy Blvd. Milpitas, CA 95035 Phone: (408)432-1900 www.linear.com Fax: (408)434-0507 LTC Confidential-For Customer Use Only	
	TITLE: SCHEMATIC μMODULE POWER STICK WITH POWER SYSTEM MANAGEMENT	
SIZE <b>B</b>	IC NO. LTM4675EY+LTM4676AEY+LTM4677EY LTM4620AEY+LTC2974CUP DEMO CIRCUIT 2204B	REV. <b>1</b>
DATE: Friday, February 17, 2017	SHEET 1 OF 5	

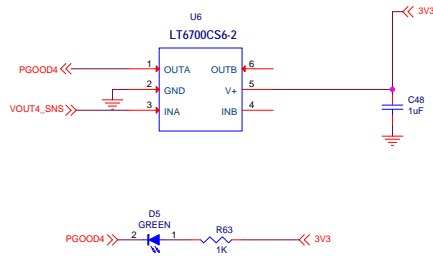
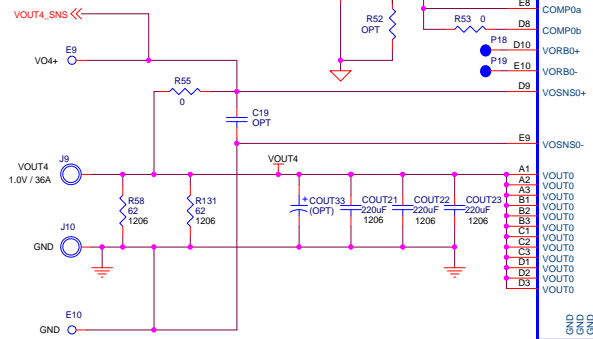
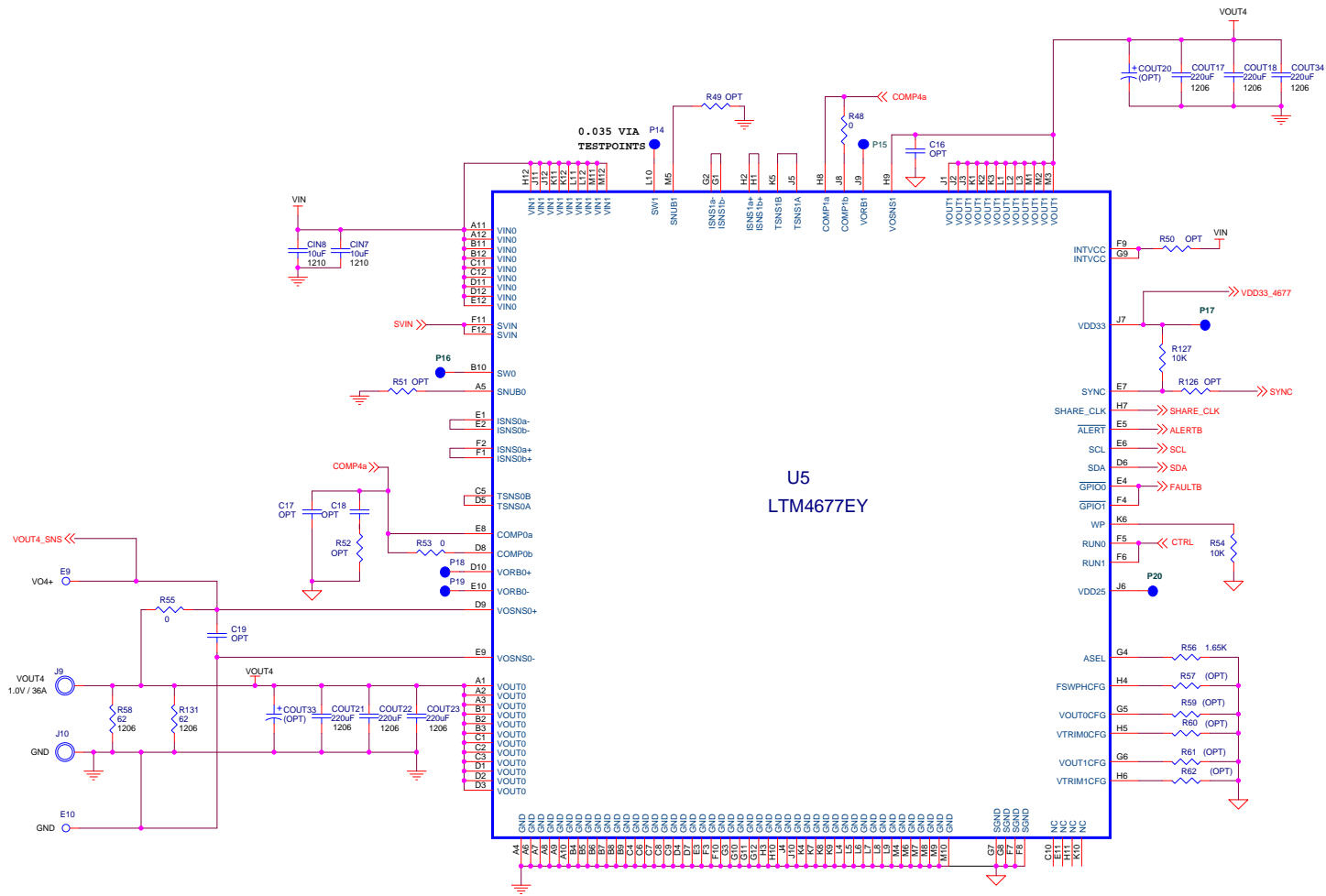


NOTE: UNLESS OTHERWISE SPECIFIED

1. ALL RESISTORS ARE 0603.  
ALL CAPACITORS ARE 0603.



CUSTOMER NOTICE		APPROVALS		 1630 McCarthy Blvd. Milpitas, CA 95035 Phone: (408)432-1900 www.linear.com Fax: (408)434-0507 LTC Confidential-For Customer Use Only	
LINEAR TECHNOLOGY HAS MADE A BEST EFFORT TO DESIGN A CIRCUIT THAT MEETS CUSTOMER-SUPPLIED SPECIFICATIONS; HOWEVER, IT REMAINS THE CUSTOMER'S RESPONSIBILITY TO VERIFY PROPER AND RELIABLE OPERATION IN THE ACTUAL APPLICATION. COMPONENT SUBSTITUTION AND PRINTED CIRCUIT BOARD LAYOUT MAY SIGNIFICANTLY AFFECT CIRCUIT PERFORMANCE OR RELIABILITY. CONTACT LINEAR TECHNOLOGY APPLICATIONS ENGINEERING FOR ASSISTANCE.		PCB DES.	HZ	TITLE: SCHEMATIC	
		APP ENG.	Haoran W.	µMODULE POWER STICK WITH POWER SYSTEM MANAGEMENT	
		SCALE = NONE		SIZE	REV.
				B	1
THIS CIRCUIT IS PROPRIETARY TO LINEAR TECHNOLOGY AND SUPPLIED FOR USE WITH LINEAR TECHNOLOGY PARTS.		DATE:	Friday, February 17, 2017	IC NO. LTM4675EY+LTM4676AEY+LTM4677EY LTM4620AEY+LTC2974CUP DEMO CIRCUIT 2204B	
				SHEET 2 OF 5	



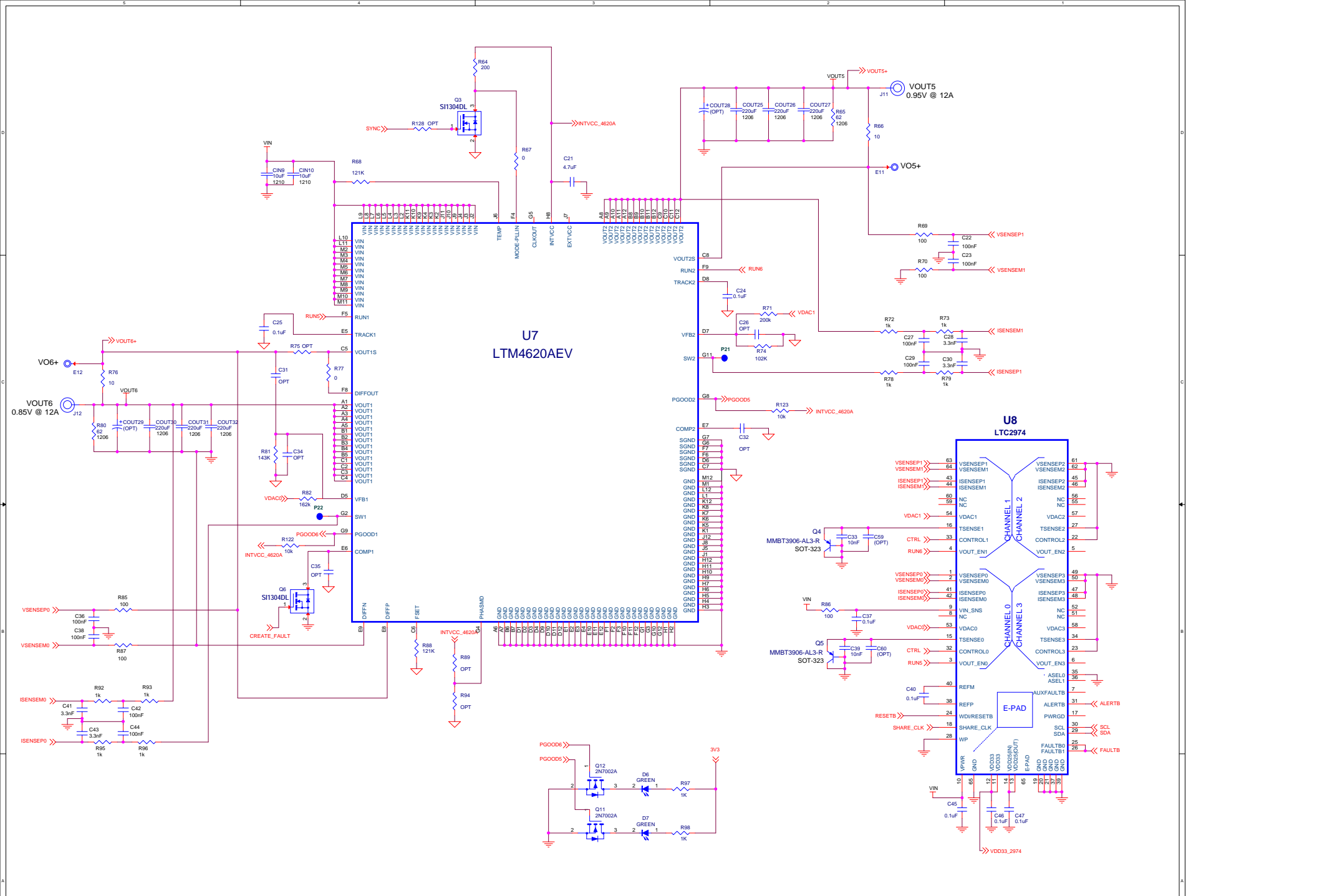
U5  
LTM4677EY

**CUSTOMER NOTICE**  
 LINEAR TECHNOLOGY HAS MADE A BEST EFFORT TO DESIGN A CIRCUIT THAT MEETS CUSTOMER-SUPPLIED SPECIFICATIONS; HOWEVER, IT REMAINS THE CUSTOMER'S RESPONSIBILITY TO VERIFY PROPER AND RELIABLE OPERATION IN THE ACTUAL APPLICATION. COMPONENT SUBSTITUTION AND PRINTED CIRCUIT BOARD LAYOUT MAY SIGNIFICANTLY AFFECT CIRCUIT PERFORMANCE OR RELIABILITY. CONTACT LINEAR TECHNOLOGY APPLICATIONS ENGINEERING FOR ASSISTANCE.

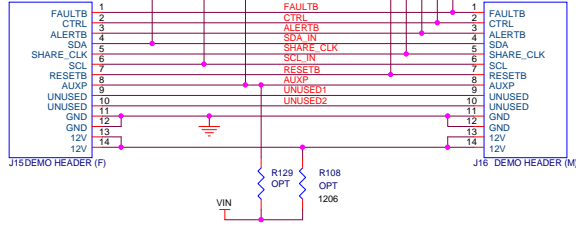
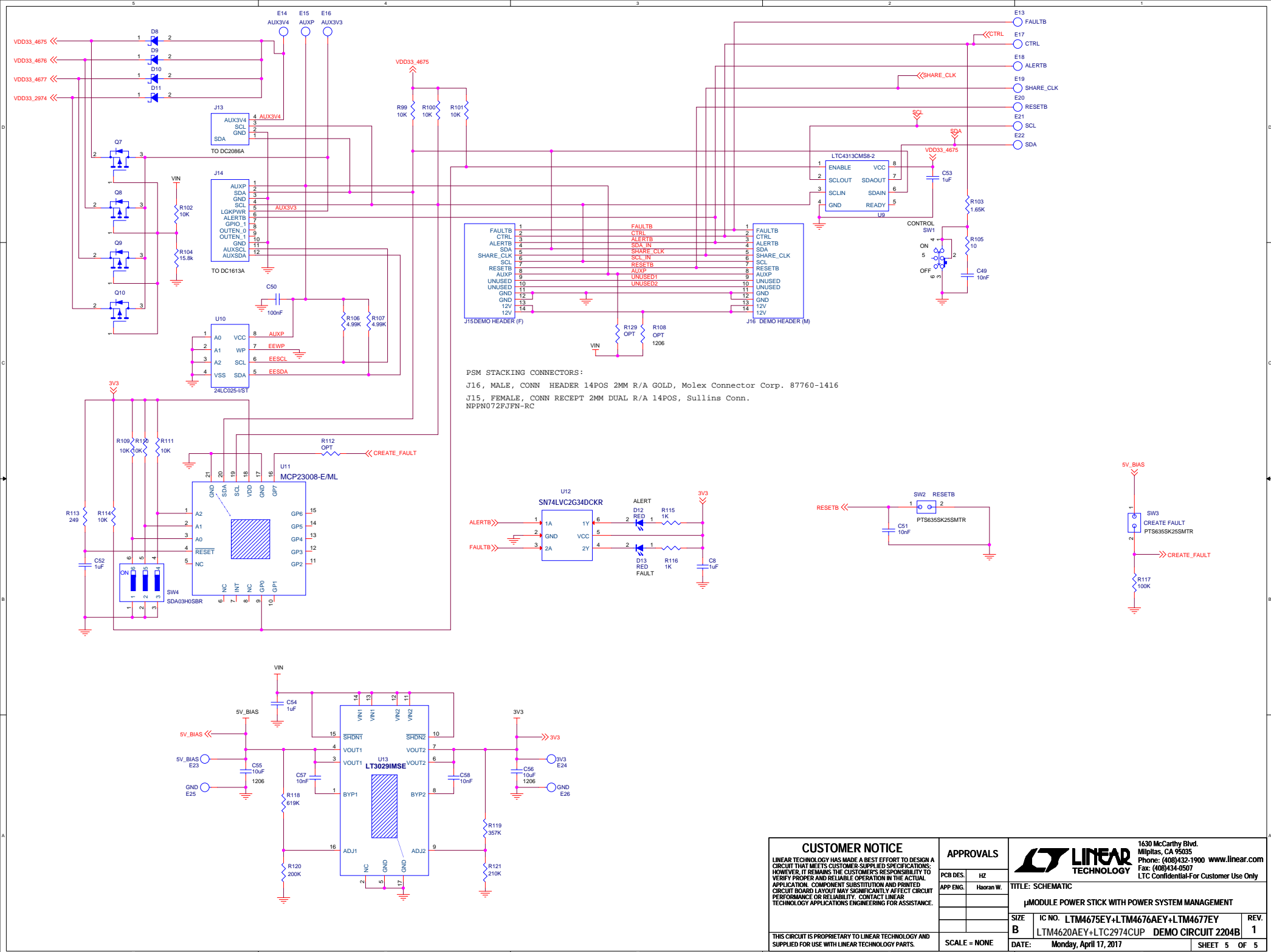
THIS CIRCUIT IS PROPRIETARY TO LINEAR TECHNOLOGY AND SUPPLIED FOR USE WITH LINEAR TECHNOLOGY PARTS.

APPROVALS	
PCB DES.	HZ
APP ENG.	Haoran W.
SCALE	NONE

		1630 McCarthy Blvd. Milpitas, CA 95035 Phone: (408)432-1900 www.linear.com Fax: (408)434-0507 LTC Confidential-For Customer Use Only			
		TITLE: SCHEMATIC μMODULE POWER STICK WITH POWER SYSTEM MANAGEMENT			
SIZE	B	IC NO.	LTM4675EY+LTM4676AEY+LTM4677EY	REV.	1
			LTM4620AEY+LTC2974CUP DEMO CIRCUIT 2204B		
DATE:	Friday, February 17, 2017	SHEET	3	OF	5



CUSTOMER NOTICE		APPROVALS		TITLE: SCHEMATIC	
LINEAR TECHNOLOGY HAS MADE A BEST EFFORT TO DESIGN A CIRCUIT THAT MEETS CUSTOMER-SUPPLIED SPECIFICATIONS. HOWEVER, IT REMAINS THE CUSTOMER'S RESPONSIBILITY TO VERIFY PROPER AND RELIABLE OPERATION IN THE ACTUAL APPLICATION. COMPONENT SUBSTITUTION AND PRINTED CIRCUIT BOARD LAYOUT MAY SIGNIFICANTLY AFFECT CIRCUIT PERFORMANCE OR RELIABILITY. CONTACT LINEAR TECHNOLOGY APPLICATIONS ENGINEERING FOR ASSISTANCE.		PCB DES:	HZ	<b>LINEAR TECHNOLOGY</b> 1630 McCarthy Blvd. Milpitas, CA 95035 Phone: (408)332-1900 www.linear.com Fax: (408)434-0507 LTC Confidential-For Customer Use Only	
THIS CIRCUIT IS PROPRIETARY TO LINEAR TECHNOLOGY AND SUPPLIED FOR USE WITH LINEAR TECHNOLOGY PARTS.		APP ENG:	Haoran W.	μMODULE POWER STICK WITH POWER SYSTEM MANAGEMENT	
SIZE	IC NO. LTM4675EY+LTM4676AEY+LTM4677EY	SCALE	NONE	DATE:	Friday, February 17, 2017
B	LTM4620AEY+LTC2974CUP DEMO CIRCUIT 2204B				SHEET 4 OF 5



PSM STACKING CONNECTORS:  
 J16, MALE, CONN HEADER 14POS 2MM R/A GOLD, Molex Connector Corp. 87760-1416  
 J15, FEMALE, CONN RECEPT 2MM DUAL R/A 14POS, Sullins Conn. NPPN072FJFN-RC

**CUSTOMER NOTICE**  
 LINEAR TECHNOLOGY HAS MADE A BEST EFFORT TO DESIGN A CIRCUIT THAT MEETS CUSTOMER-SUPPLIED SPECIFICATIONS; HOWEVER, IT REMAINS THE CUSTOMER'S RESPONSIBILITY TO VERIFY PROPER AND RELIABLE OPERATION IN THE ACTUAL APPLICATION. COMPONENT SUBSTITUTION AND PRINTED CIRCUIT BOARD LAYOUT MAY SIGNIFICANTLY AFFECT CIRCUIT PERFORMANCE OR RELIABILITY. CONTACT LINEAR TECHNOLOGY APPLICATIONS ENGINEERING FOR ASSISTANCE.

THIS CIRCUIT IS PROPRIETARY TO LINEAR TECHNOLOGY AND SUPPLIED FOR USE WITH LINEAR TECHNOLOGY PARTS.

APPROVALS	
PCB DES.	HZ
APP ENG.	Haoran W.
SCALE = NONE	

		1630 McCarthy Blvd. Milpitas, CA 95035 Phone: (408)432-1900 www.linear.com Fax: (408)434-0507 LTC Confidential-For Customer Use Only	
		TITLE: SCHEMATIC μMODULE POWER STICK WITH POWER SYSTEM MANAGEMENT	
SIZE	IC NO.	LTM4675EY+LTM4676AEY+LTM4677EY	REV.
B		LTM4620AEY+LTC2974CUP DEMO CIRCUIT 2204B	1
DATE:	Monday, April 17, 2017		SHEET 5 OF 5