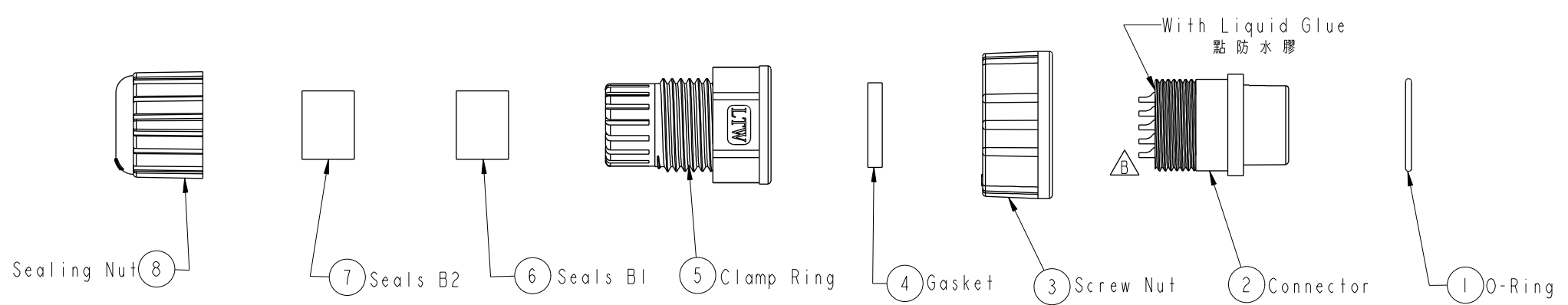


THIS DOCUMENT IS SUBJECT TO CHANGE WITHOUT NOTICE. IT IS CONFIDENTIAL AND A PROPERTY OF AMPHENOL LTW. DISCLOSURE TO THIRD PARTY HAS TO BE AUTHORIZED BY AMPHENOL LTW.

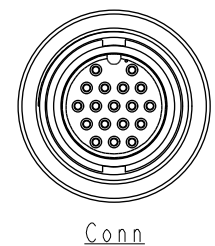
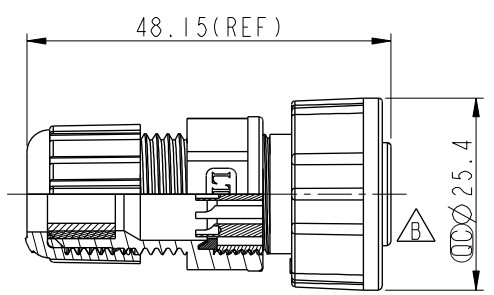
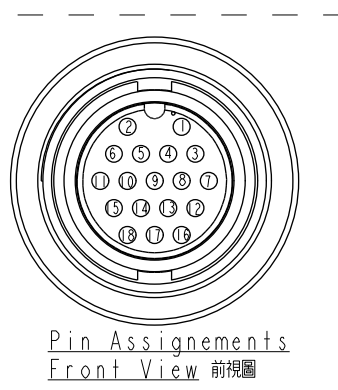
REV.	ECN NO.	DATE	SIGN	DESCRIPTION
B	LEN-0C0139	2010/11/25	IVNA	Change 前導角 View



**ALTW**  
CONFIDENTIAL  
2012-04-18  
R&D DEPT.

**ALTW**  
DCC. DEPT.  
CONFIDENTIAL  
2012-06-01  
**ISSUED**

- Notes:
- \*  $\varnothing$  Important Dimension.
  - \* Connector: Nylon+GF, Black
  - \* Female Pin: Copper Alloy, Gold Plated.
  - \* O-Ring: EPDM, Black.
  - \* Screw Nut: Nylon+GF, Black
  - \* Gasket: Silicone, Black
  - \* Sealing Nut: Nylon, Black.
  - \* Clamp Ring: Nylon, Black.
  - \* Seals: EPDM, Black
  - \* Seals B1 for Cable OD:  $\varnothing 7.6\text{mm} \sim \varnothing 9.6\text{mm}$   
(防水圈B1線徑:  $\varnothing 7.6\text{mm} \sim \varnothing 9.6\text{mm}$ )
  - \* Seals B2 for Cable OD:  $\varnothing 4.0\text{mm} \sim \varnothing 7.6\text{mm}$   
(防水圈B2線徑:  $\varnothing 4.0\text{mm} \sim \varnothing 7.6\text{mm}$ )
  - \* One Set Unassembled in One PE Bag.  
(每一組未組裝, 放置於一個PE袋, 並封口)



UNIT: mm			TITLE			ITEM NO.	DRAWN BY	DATE							
			18Pin Female Connector Female Pin(2A)			CU-18BFFA-SL7001	SamChang	2012-04-18							
TOLERANCE	.X	$\pm 0.25$	SCALE	1:1	SIZE	A4	SHEET	1	OF	1	DWG NO.	CHECKED BY	DATE		
	.XX	$\pm 0.1$									CU-18BFFA-SL7001	Jeffrey	2012-06-01		
	.XXX	$\pm 0.05$	REV.	B	WC-REV.	A.2	$\varnothing$ : Inspection item		CUSTOMER		ALTW	APPROVED BY	Lion	DATE	2012-06-01
	ANGLES	$\pm 1^\circ$													

**Amphenol LTW**  
安費諾亮泰企業股份有限公司