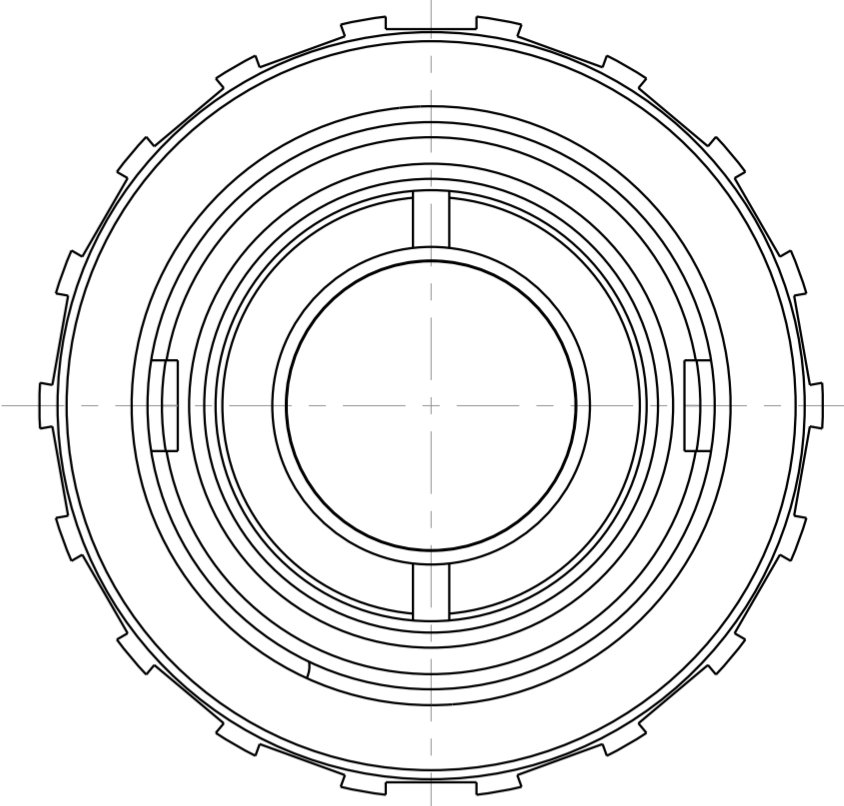
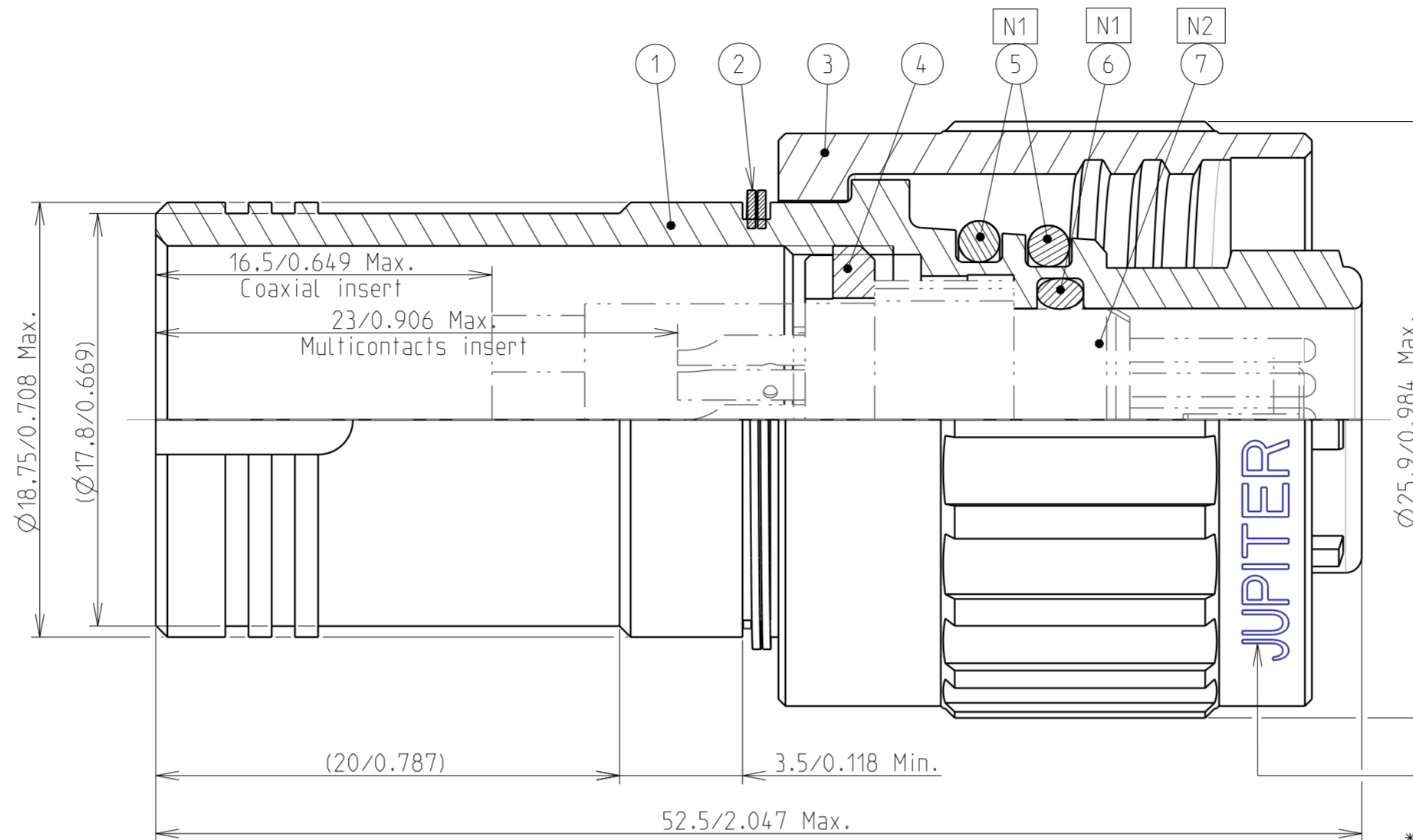
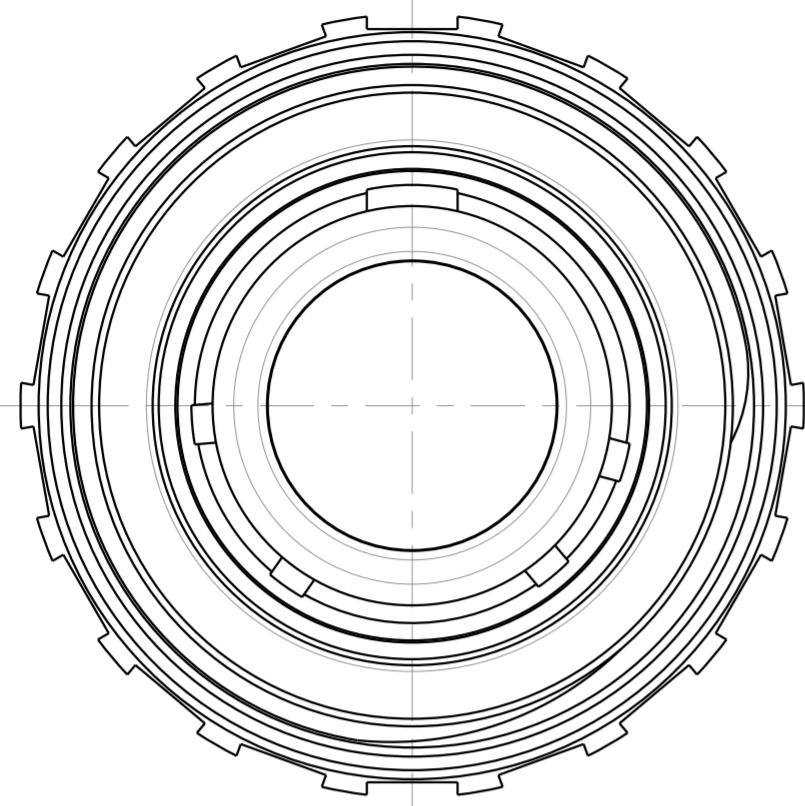


Country	Jurisdiction & Control List
FR	NOT LISTED

	critical dimension
	major dimension



MARQUAGE/MARKING

**** JUPITER FR FED10PLY
 SEMAINE/WEEK
 ANNEE/YEAR

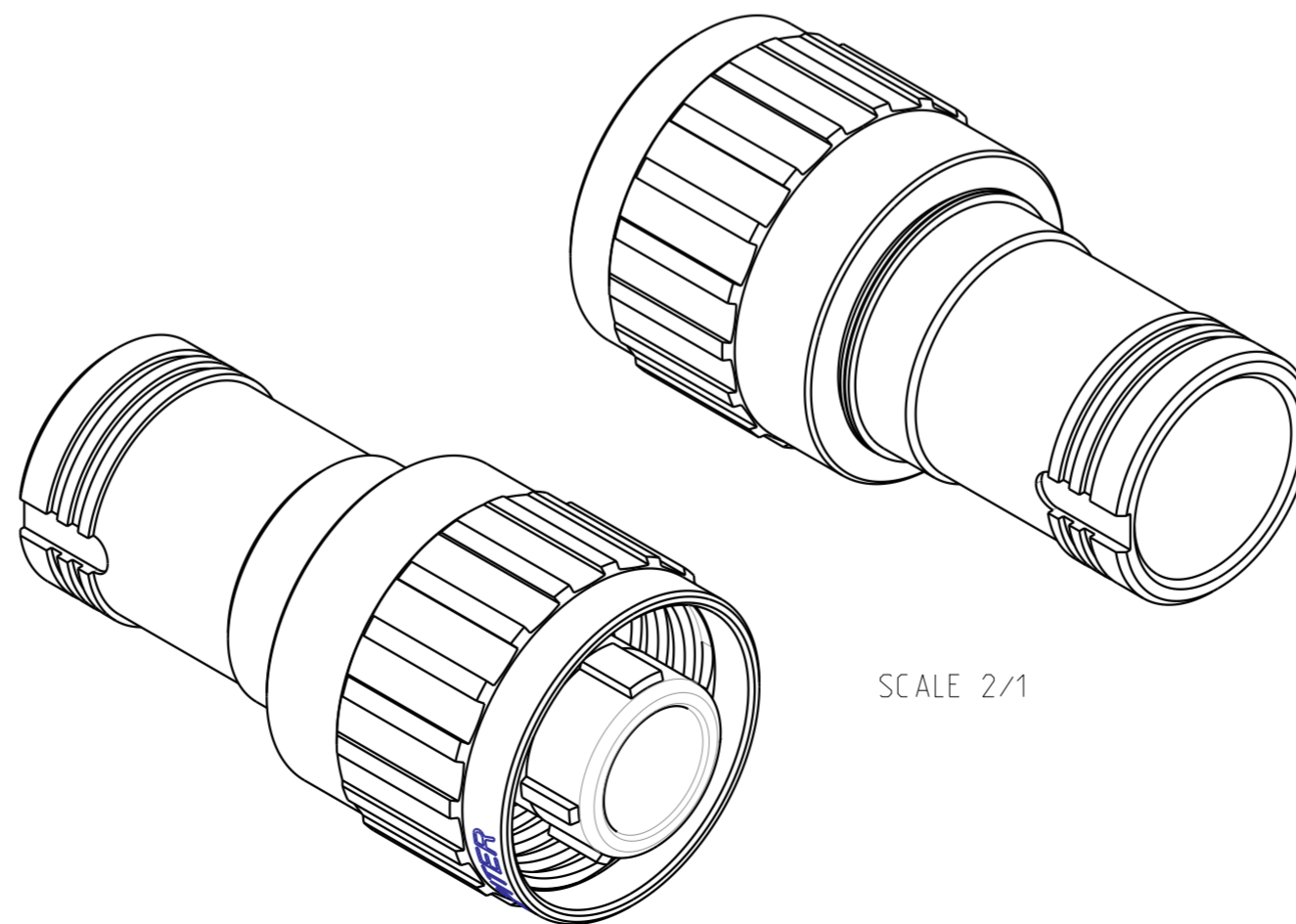
**REFERENCE COMMERCIALE
 PART NUMBER**

CFE10PLY

7	ISOLANT / INSERT
6	JOINT TORIQUE ISOLANT / O'RING INSERT
5	JOINT TORIQUE ACCOUPLEMENT / O'RING COUPLING
4	BAGUE DE RETENUE / RETAINING RING
3	DOUILLE D'ACCOUPLEMENT / COUPLING RING
2	CIRCLIPS / RETAINING CLIP
1	FICHE DROITE FED / STRAIGHT PLUG FED
REP	DESIGNATION

N1 : MONTAGE AVEC GRAISSE
 MOUNTING WITH GREASE

N2 : ISOLANT HORS FOURNITURE
 INSERT NOT SUPPLIED



SCALE 2/1

A	05/09/16	Initial drawing	ORAIN	MEFFRE	DIFF
Iss	Date	MODIFICATIONS	A C Naf.	Designed by	Checked by
MATERIAL --		TREATMENT	PROTECTION/PLATING		
--		--	--		
--		--	CODE --		
DIMENSIONS ARE DEFINED BEFORE PLATING					
TITLE		FICHE DROITE FED SA / STRAIGHT PLUG FED SA TYPE			PROJECT
		SERIE PL - TAILLE 10			PL54
Material Reference Voir Référence Commerciale / See Part Number					
		Generales tolerances ISO 2768		SOURIAU	
Scale 4/1		General machining Surface texture		SOURIAU 3. RUE DU VALLON ZAC N°2 94440 MAROLLES-EN-BRIE (FRANCE) TEL. 33 (0)1 45 10 78 00	
Geometrical Tolerances: NF EN ISO 1101		FORMAT	SOURIAU DRG N°		Iss
This document is the property of SOURIAU it must not be reproduced or communicated without permission.		A2	542F0130A8C		SHEET A 1/1