

Datasheet

Function:

The electrical adding counter CCES and a proximity switch can be used to count the switching cycles of a cylinder.

Recommended proximity switches SME

→ 2

Key features:

- 8-digit LCD display
- Own power supply
- Designed for front panel mounting
- Connection via terminal strip
- Reset button



General technical data

Design	Electrical adding counter with battery
Type of mounting	Front panel mounting
Power supply	Lithium battery
Display	8-digit
Reset method	Manual button or electrical signal
Min. pulse length for drive [ms]	15
Min. pulse length for reset [ms]	15
Product weight [g]	30

Electrical data

Lower threshold value [V DC]	< 0.7
Upper threshold value [V DC]	5 ... 30
Clock pulse input	Programmable
Clock pulse input setting	Falling edge 30 Hz
Max. counting rate [kHz]	7.5
Max. attenuated counting rate [Hz]	30

Operating and environmental conditions

Ambient temperature [°C]	-10 ... +50
CE marking (see declaration of conformity) ¹⁾	To EU EMC Directive
UKCA marking (see declaration of conformity) ¹⁾	To UK EMC regulations
Corrosion resistance class CRC ²⁾	2 - Moderate corrosion stress

1) Additional information: www.festo.com/catalogue/cces → Support/Downloads.

2) Additional information: www.festo.com/x/topic/kbk

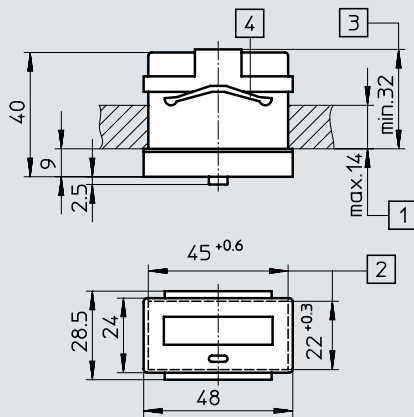
Materials

Housing	PC
Note on materials	RoHS-compliant
PWIS conformity	VDMA24364-B1/B2-L


Datasheet

Dimensions

Download CAD data → www.festo.com



- [1] Front panel
- [2] Cutout on front panel
- [3] Installation depth
- [4] Clamp frame

 **Note**
Terminal cross section:
max. 1 mm², min. 0.13 mm²

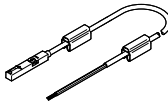
Ordering data


	Part no.	Type
Adding counter	549403	CCES-P-C8-E

Accessories

Ordering data

Datasheets → Internet: sme-8m

	Description	Switching output	Part no.	Type
	Proximity switch, N/O with cable, 2.5 m	Contacting, bipolar	543862	SME-8M-DS-24V-K-2.5-OE

 **Note**

- The proximity switch SME mentioned above can be connected as a 2-wire switch to the adding counter without an additional voltage supply.
- When using other proximity switches, an additional voltage supply may be required and it may be necessary to reprogram the counting input for the adding counter from NPN to PNP.
- Shielded cables must be used for cable lengths over 3 m.
- The maximum permissible cable length is 30 m.

Festo - Your Partner in Automation



1 Festo Inc.
5300 Explorer Drive
Mississauga, ON L4W 5G4
Canada

Festo Customer Interaction Center
Tel: 1 877 463 3786
Fax: 1 877 393 3786
Email: customer.service.ca@festo.com



2 Festo Pneumatic
Av. Ceylán 3,
Col. Tequesquináhuac
54020 Tlalnepantla,
Estado de México

Multinational Contact Center
01 800 337 8669
ventas.mexico@festo.com



3 Festo Corporation
1377 Motor Parkway
Suite 310
Islandia, NY 11749

Festo Customer Interaction Center
1 800 993 3786
1 800 963 3786
customer.service.us@festo.com



4 Regional Service Center
7777 Columbia Road
Mason, OH 45040

Connect with us



www.festo.com/socialmedia



www.festo.com

Subject to change