

ITEM	PART#	DESCRIPTION	QTY	UOM
A	2053410203	PICO-LOCK 2.0 W/B REC HSG 3P	1	PC
B	2053425028	PICO-LOCK 2.0 W/B REC TERM PL AWG#20-22	3	PC
C	--	PAPER PRINTED PAPER WHITE	1	PC

FROM	TO	DESCRIPTION	COLOR
A1	--	1X20AWG DISC SR-PVC BK UL10002	BLACK
A2	--	1X20AWG DISC SR-PVC BK UL10002	BLACK
A3	--	1X20AWG DISC SR-PVC BK UL10002	BLACK

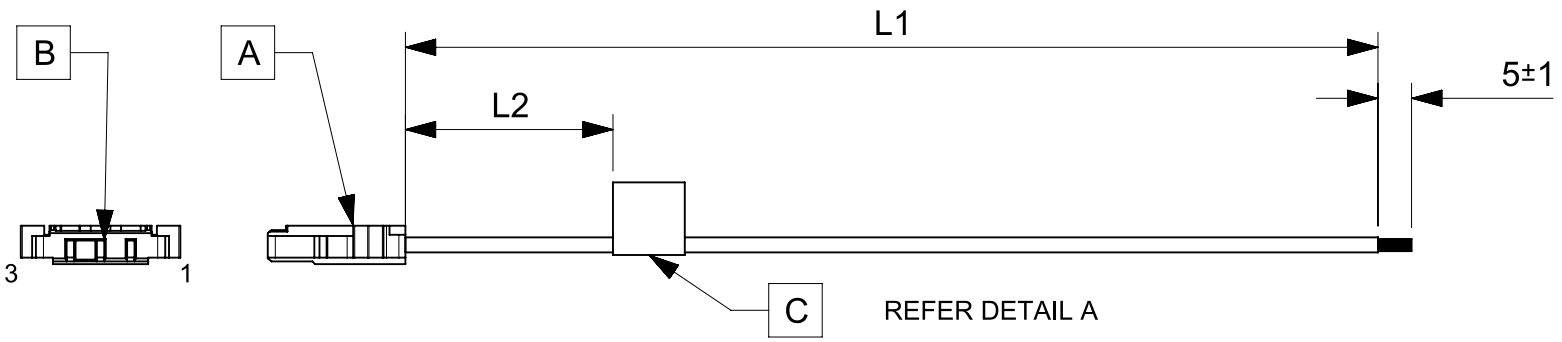


TABLE			
PART NUMBER	L1	L2 (REF)	TITLE
2196572030	50±3	15	Pico-Lock 2.0 R-S 3ckt 50mm disc Au
2196572031	100±3	15	Pico-Lock 2.0 R-S 3ckt 100mm disc Au
2196572032	150±4	15	Pico-Lock 2.0 R-S 3ckt 150mm disc Au
2196572033	300±4	15	Pico-Lock 2.0 R-S 3ckt 300mm disc Au
2196572034	600±6	15	Pico-Lock 2.0 R-S 3ckt 600mm disc Au

- NOTES**
1. Connector view shown is from mating side.
  2. Label text must be 2mm max. in height with Arial font.
  3. Label must be wrapped in Flag type on a single cable.
  4. Free ends must be stripped, twisted & tinned. The length of tinning is 5±1mm. Tinning Dia must be 1.25mm Max.

MOLEX P/N  
MOLEX  
BATCH WK/YR  
DETAIL A

REVISION			
DATE	REV	DESCRIPTION	CHANGER
2021/12/27	A	INITIAL RELEASE	SAIKIG

FUNCTIONAL SYMBOLS $\frac{F}{A} = 0$ $\frac{F}{E} = 0$ $\frac{F}{P} = 0$ DIVISIONAL SYMBOLS	THIS DRAWING CONTAINS INFORMATION THAT IS PROPRIETARY TO MOLEX ELECTRONIC TECHNOLOGIES, LLC AND SHOULD NOT BE USED WITHOUT WRITTEN PERMISSION		CURRENT REV DESC:		  SEE TABLE  PRODUCT CUSTOMER DRAWING
	DIMENSION UNITS	SCALE	EC NO: 690897		
	mm	NTS	DRWN: SAIKIG 2021/12/27		
	GENERAL TOLERANCES (UNLESS SPECIFIED)		CHK'D: MNARAYAN01 2022/01/13		
	ANGULAR TOL ± °		APPR: MNARAYAN01 2022/01/13		
4 PLACES	±	INITIAL REVISION:			
3 PLACES	±	DRWN: SAIKIG 2021/12/27			
2 PLACES	±	APPR: MNARAYAN01 2022/01/13			
1 PLACE	±	DOCUMENT NUMBER			
0 PLACES	±	2196572030			
DRAFT WHERE APPLICABLE MUST REMAIN WITHIN DIMENSIONS		THIRD ANGLE PROJECTION	DRAWING	SERIES	DOC TYPE
			A4-SIZE	219657	PSD
					DOC PART
					000
					REVISION
					A
					SHEET NUMBER
					1 OF 1