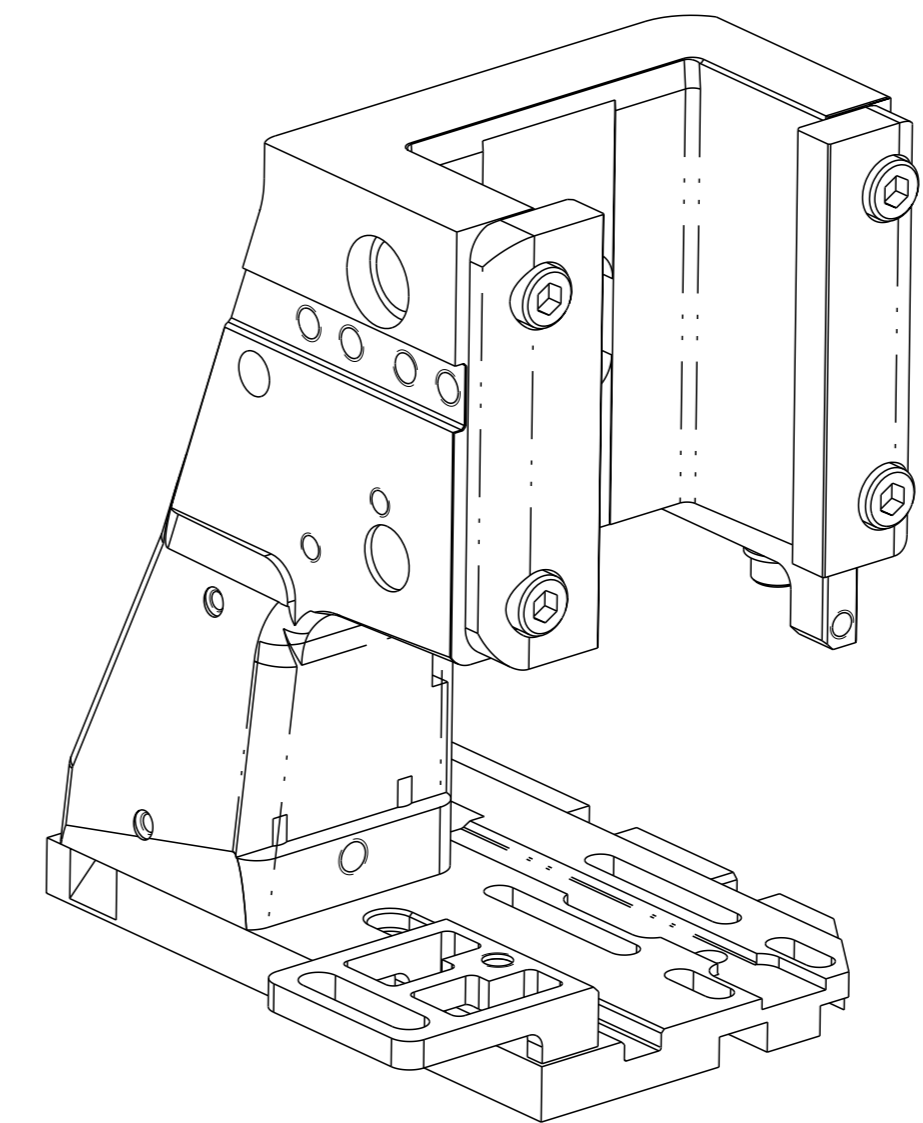
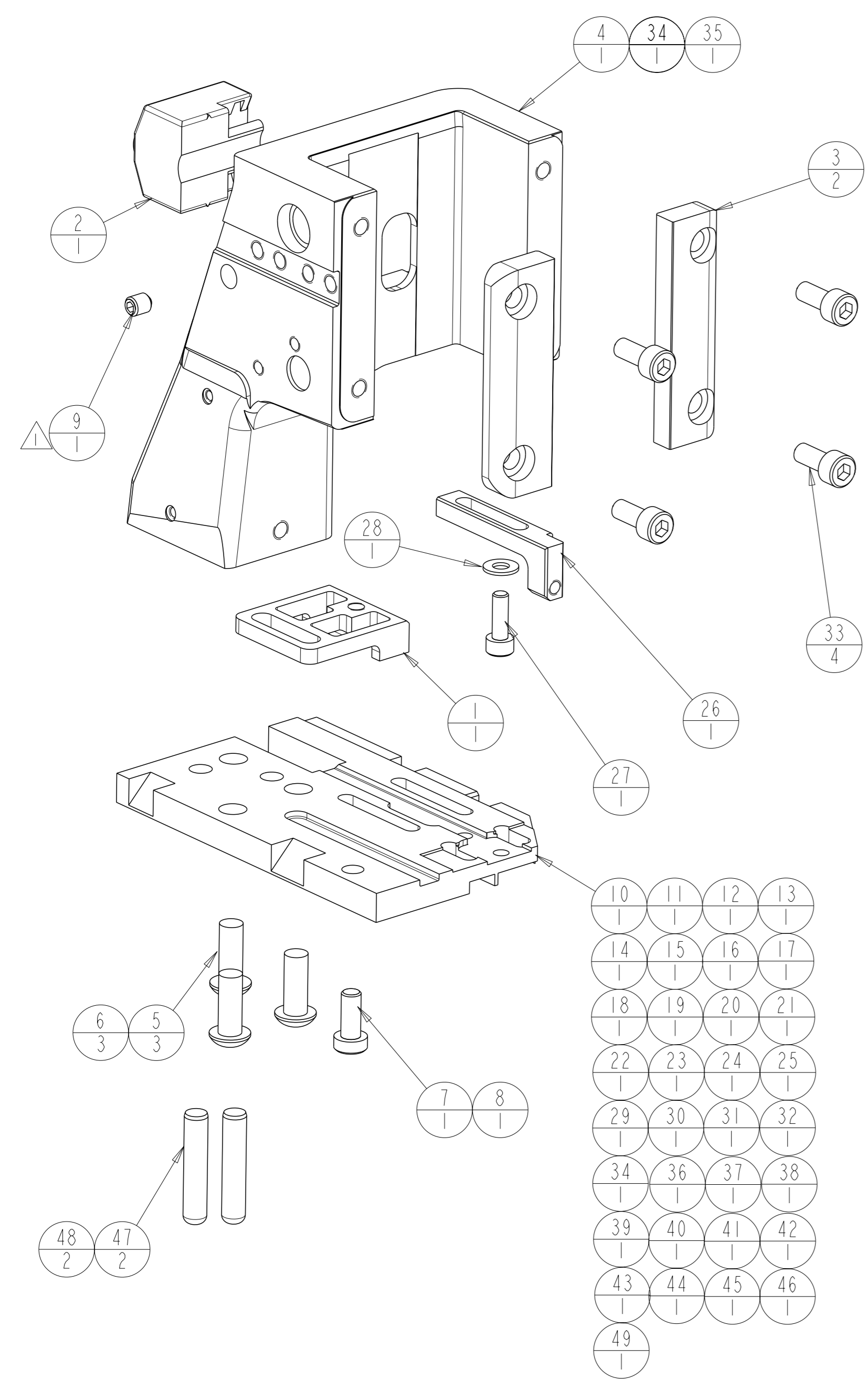


THIS DRAWING IS UNPUBLISHED. RELEASED FOR PUBLICATION
 © COPYRIGHT copyr ight d8te- ALL RIGHTS RESERVED.

REVISIONS				
#	LY#	DESCRIPTION	DATE	OWN APVD
-	-	SEE SHEET 1	-	-

OCEAN APPLICATOR



THIS DRAWING IS A CONTROLLED DOCUMENT.		OWN: GOPALAKRISHNA HV CHK: T. ELBIN APVD: T. ELBIN	05MAY2016 05MAY2016 05MAY2016	TE Connectivity NAME: APPLICATOR BASIC ASSEMBLY, SF
DIMENSIONS:	TOLERANCES UNLESS OTHERWISE SPECIFIED:	PRODUCT SPEC	APPLICATION SPEC	
mm	0 PLC ± 1 PLC ± 2 PLC ± 3 PLC ± 4 PLC ±	SIZE: A1	CAGE CODE: -	RESTRICTED TO:
MATERIAL:	ANGLES FINISH *	WEIGHT: -	SCALE: 1:1	SHEET 2 OF 2
CUSTOMER DRAWING		SCALE: 1:1		REV D