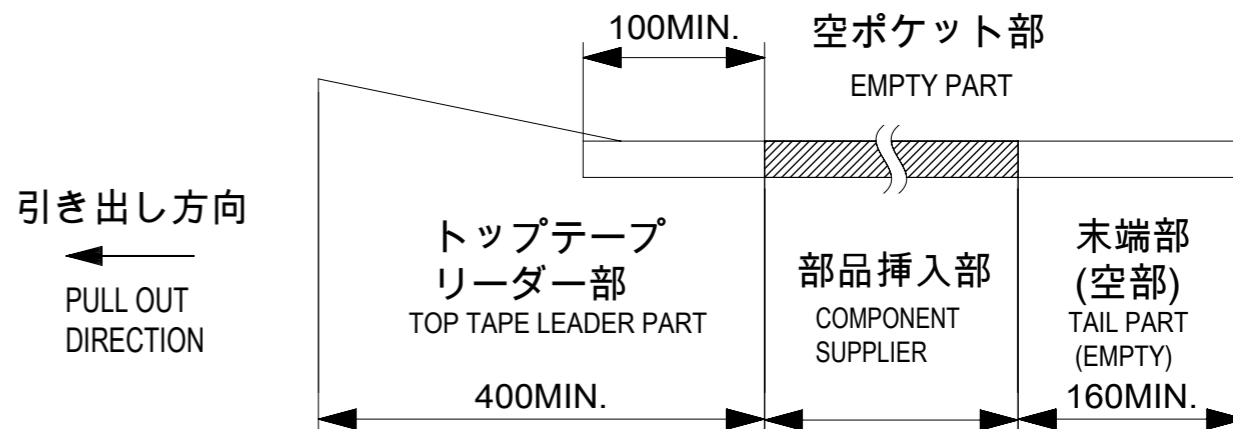


NOTES

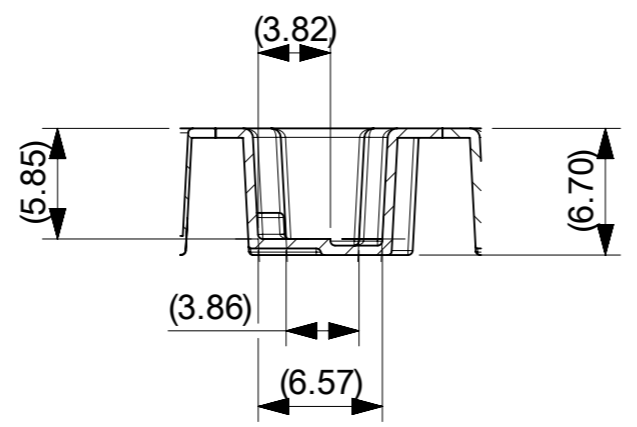
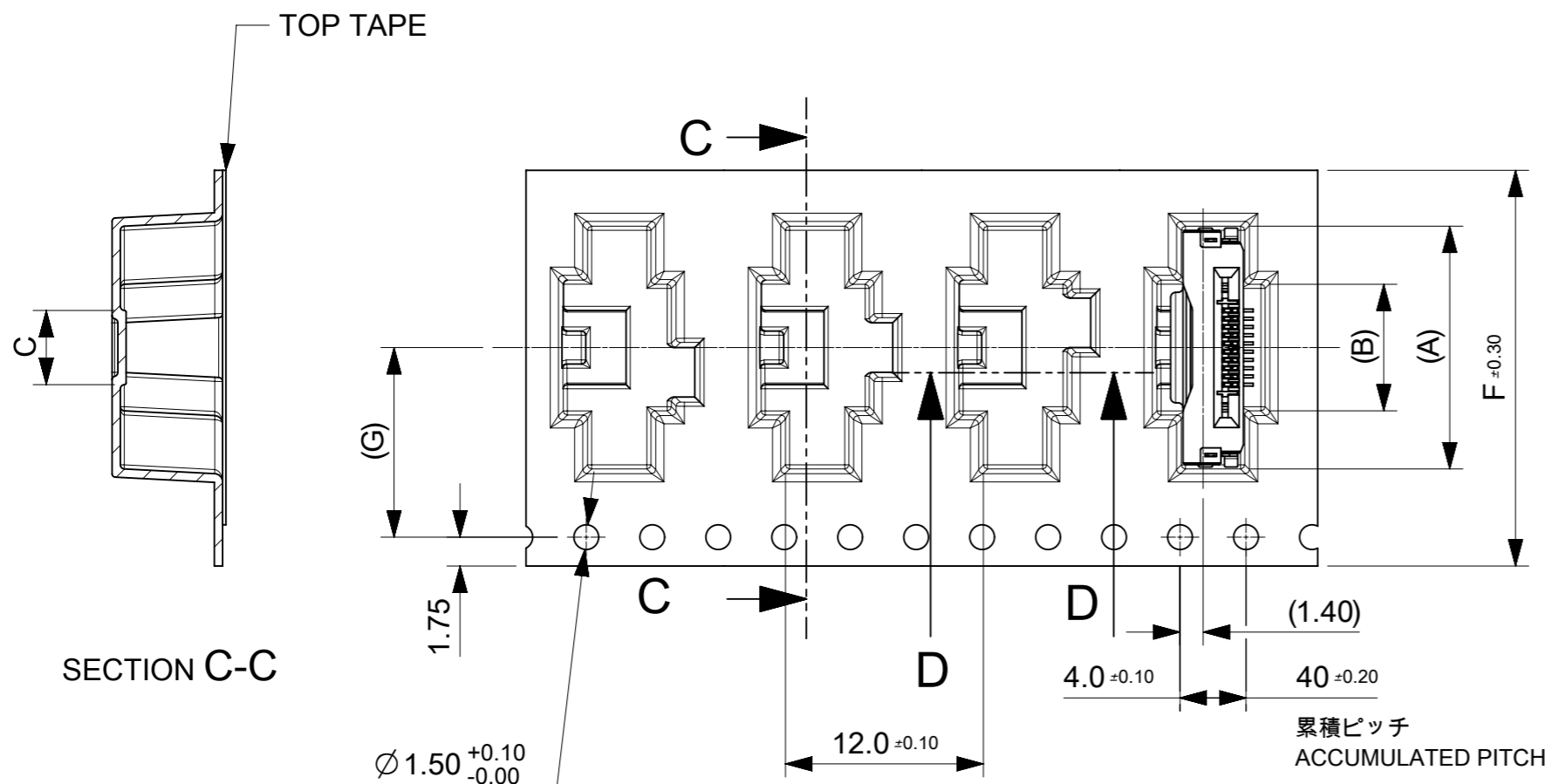
- 梱包数量 : 1200個 / リール
NUMBER OF CONNECTORS : 1200 PCS/REEL.
- リードテープ長さ
LEAD TAPE LENGTH



- カバーテープの剥離強度については、IEC60286-3に準拠。
TOP TAPE PEEL FORCE IS DEFINED BY IEC 60286-3.
- 製品詳細寸法については、図面 2004851500を参照下さい。
FOR DIMENSIONS OF PRODUCT, REFER TO 2004851500
- 材料 MATERIAL
キャリアテープ : ポリスチレン
CARRIER TAPE : POLYSTYRENE
トップテープ : ポリエチレンテレフタレート、ポリエチレン
TOP TAPE : POLYETHYLENE TEREPHTHALATE, POLYETHYLENE
リール : ポリスチレン<リサイクル材を含む>
REEL : POLYSTYRENE RECYCLED MATERIAL CONTAINED
- ELV及びRoHS適合品 ELV AND RoHS COMPLIANT.

THIS DRAWING CONTAINS INFORMATION THAT IS PROPRIETARY TO MOLEX ELECTRONIC TECHNOLOGIES, LLC AND SHOULD NOT BE USED WITHOUT WRITTEN PERMISSION		CURRENT REV DESC:		molex	
DIMENSION UNITS	SCALE				
mm	NTS			EMB PKG ONE-TOUCH ST	
GENERAL TOLERANCES (UNLESS SPECIFIED)				PRODUCT CUSTOMER DRAWING	
ANGULAR TOL	± 1.0 °			DOCUMENT NUMBER	
4 PLACES	± 0.1	EC NO: 648126		2004850500	
3 PLACES	± 0.1	DRWN: TYAMANE		PSD	
2 PLACES	± 0.1	2020/10/15		000	
1 PLACE	± 0.1	CHK'D: YMATSUMOTO		C	
0 PLACES	± 0.1	2020/10/30			
DRAFT WHERE APPLICABLE MUST REMAIN WITHIN DIMENSIONS		INITIAL REVISION:		MATERIAL NUMBER	
THIRD ANGLE PROJECTION		DRWN: TYAMANE		CUSTOMER	
DRAWING		2018/09/21		GENERAL	
SERIES		2019/09/27		SHEET NUMBER	
A3-SIZE		200485		1 OF 3	

引き出し方向
PULL OUT
DIRECTION



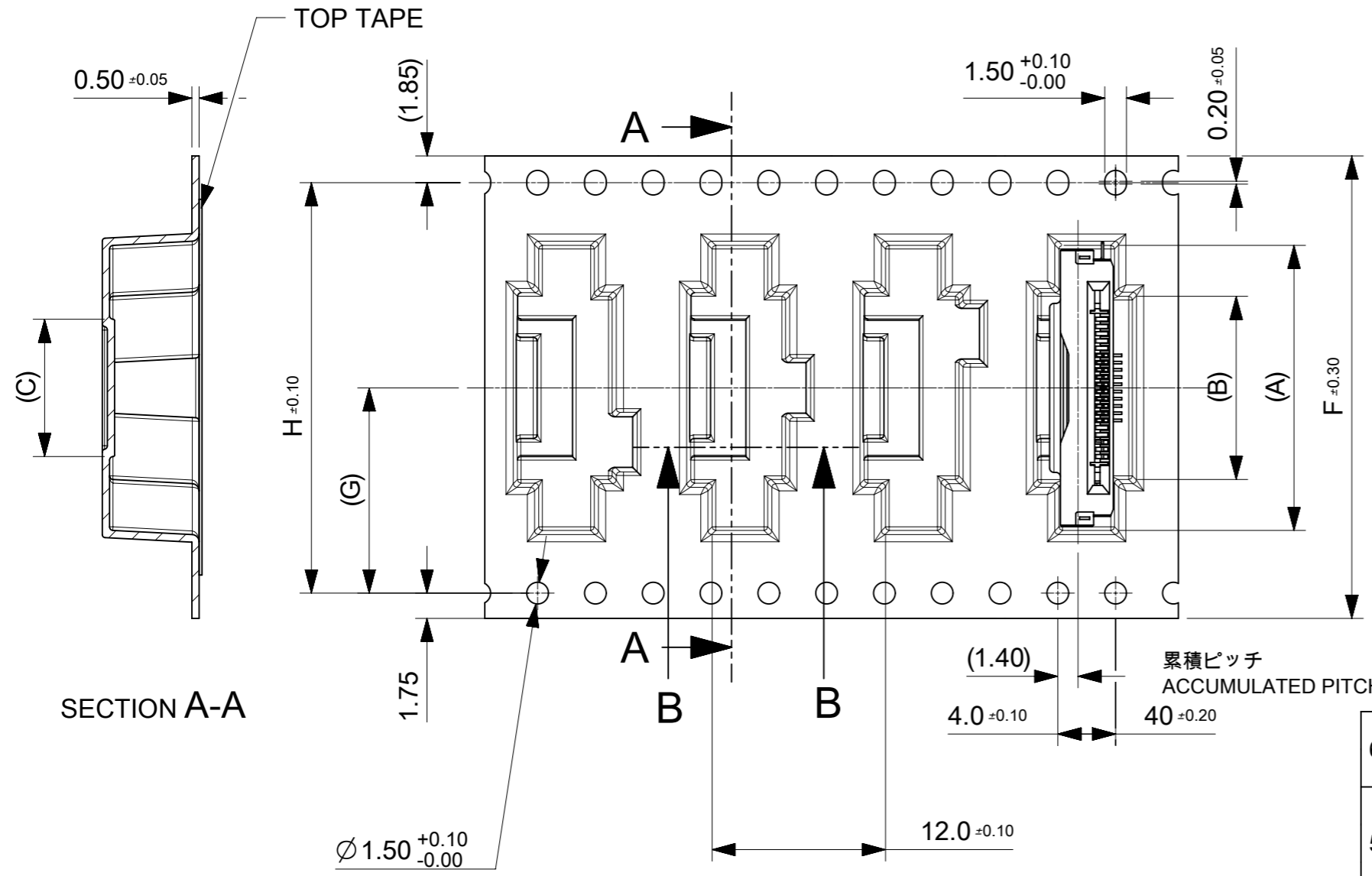
SECTION D-D

11.5	24	29.4	25.4	4.5	7.65	14.7	2004850510	10
G	F	E	D	C	B	A	EMBOSSED PACKAGE	Ckt
							オーダー番号 ORDER NO.	

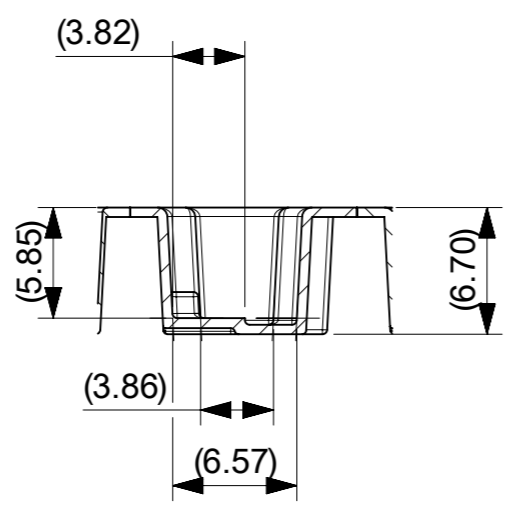
THIS DRAWING CONTAINS INFORMATION THAT IS PROPRIETARY TO MOLEX ELECTRONIC TECHNOLOGIES, LLC AND SHOULD NOT BE USED WITHOUT WRITTEN PERMISSION													
DIMENSION UNITS mm		SCALE NTS		CURRENT REV DESC:						molex			
GENERAL TOLERANCES (UNLESS SPECIFIED)				EC NO: 648126									
ANGULAR TOL ± 1.0°				DRWN: TYAMANE 2020/10/15						EMB PKG ONE-TOUCH ST			
4 PLACES ± 0.1				CHK'D: YMATSUMOTO 2020/10/30						PRODUCT CUSTOMER DRAWING			
3 PLACES ± 0.1				APPR: SHOSHIKAWA 2020/11/02						DOCUMENT NUMBER			
2 PLACES ± 0.1				INITIAL REVISION:						2004850500			
1 PLACE ± 0.1				DRWN: TYAMANE 2018/09/21						PSD 000 C			
0 PLACES ± 0.1				APPR: RTAKEUCHI 2019/09/27						DOC TYPE DOC PART REVISION			
DRAFT WHERE APPLICABLE MUST REMAIN WITHIN DIMENSIONS		THIRD ANGLE PROJECTION		DRAWING A3-SIZE		SERIES 200485		MATERIAL NUMBER SEE TABLE		CUSTOMER GENERAL		SHEET NUMBER 2 OF 3	

CONNECTOR NO. 20048515**

引き出し方向
PULL OUT
DIRECTION



SECTION A-A



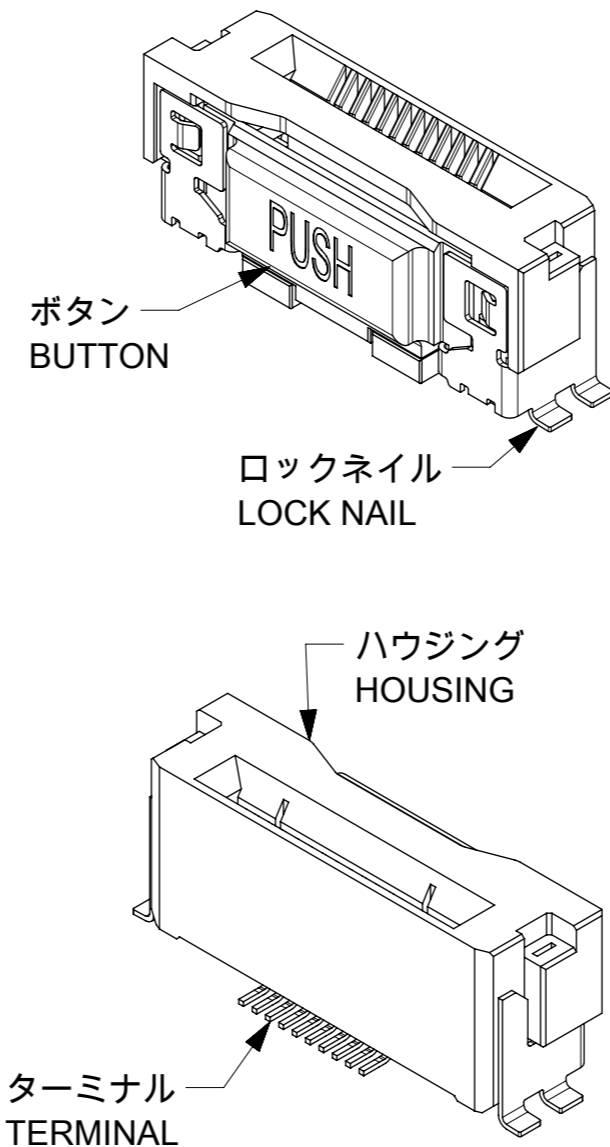
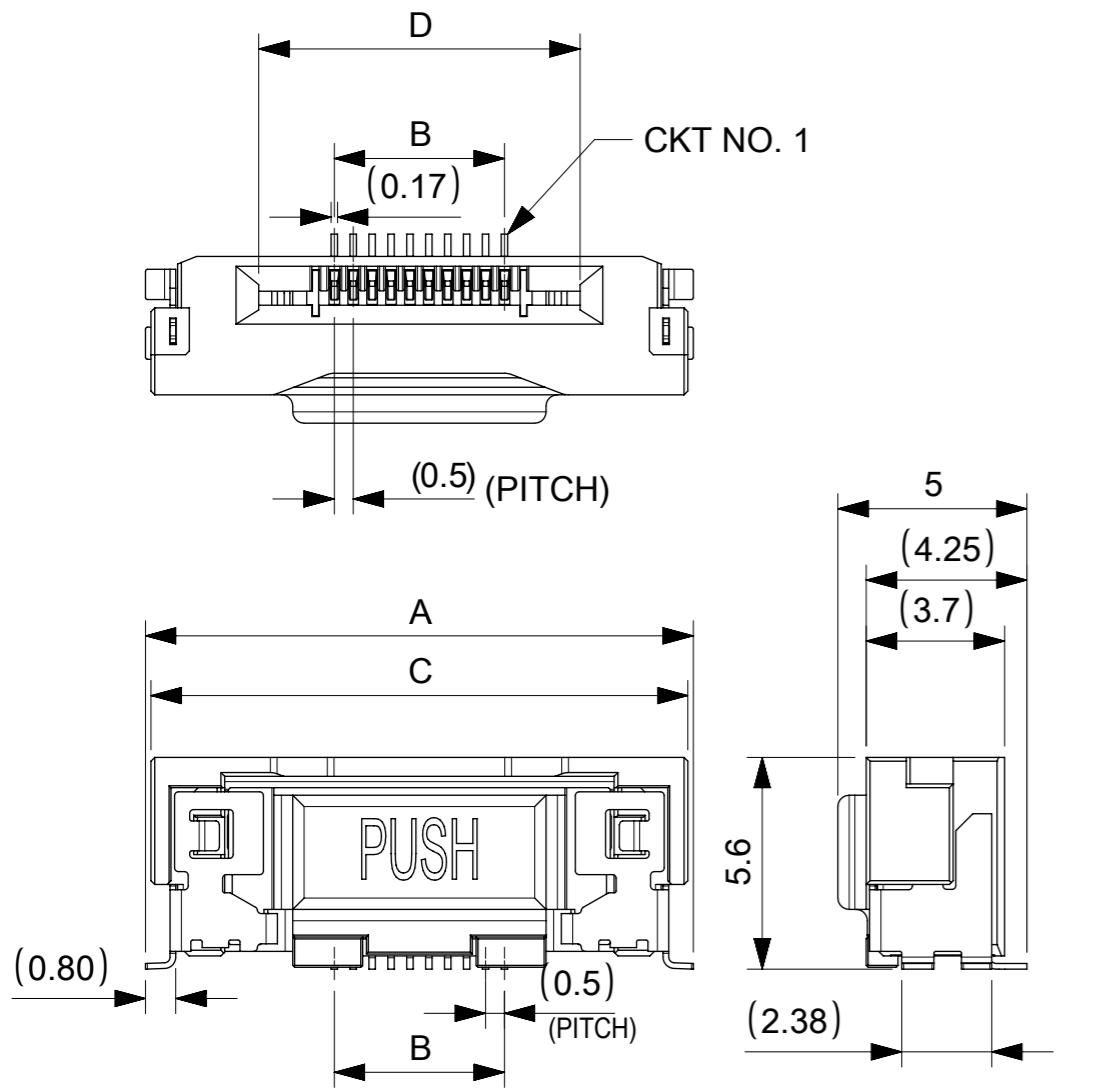
SECTION B-B

CONNECTOR NO. 20048515**

68.4	34.2	72	78.1	73.5	39.5	42.65	49.7	2004850580	80
					34.5	37.65	44.7	2004850570	70
52.4	26.2	56	61.4	75.4	29.5	32.65	39.7	2004850560	60
					25	28.15	35.2	2004850551	51
40.4	20.2	44	49.4	45.4	24.5	27.65	34.7	2004850550	50
					19.5	22.65	29.7	2004850540	40
					17	20.15	27.2	2004850535	35
28.4	14.2	32	37.4	33.4	14.5	17.65	24.7	2004850530	30
					9.5	12.65	19.7	2004850520	20
H	G	F	E	D	C	B	A	EMBOSSED PACKAGE	Ckt
								オーダー番号 ORDER NO.	

THIS DRAWING CONTAINS INFORMATION THAT IS PROPRIETARY TO MOLEX ELECTRONIC TECHNOLOGIES, LLC AND SHOULD NOT BE USED WITHOUT WRITTEN PERMISSION

DIMENSION UNITS	SCALE	CURRENT REV DESC:		molex	
mm	NTS				
GENERAL TOLERANCES (UNLESS SPECIFIED)		EC NO: 648126		EMB PKG ONE-TOUCH ST	
ANGULAR TOL	± 1.0 °	DRWN: TYAMANE 2020/10/15		PRODUCT CUSTOMER DRAWING	
4 PLACES	± 0.1	CHK'D: YMATSUMOTO 2020/10/30		DOCUMENT NUMBER	
3 PLACES	± 0.1	APPR: SHOSHIKAWA 2020/11/02		2004850500	
2 PLACES	± 0.1	INITIAL REVISION:		DOC TYPE	DOC PART
1 PLACE	± 0.1	DRWN: TYAMANE 2018/09/21		PSD	000
0 PLACES	± 0.1	APPR: RTAKEUCHI 2019/09/27		REVISION	C
DRAFT WHERE APPLICABLE MUST REMAIN WITHIN DIMENSIONS		THIRD ANGLE PROJECTION	DRAWING	SERIES	MATERIAL NUMBER
			A3-SIZE	200485	CUSTOMER
					GENERAL
					SHEET NUMBER
					3 OF 3

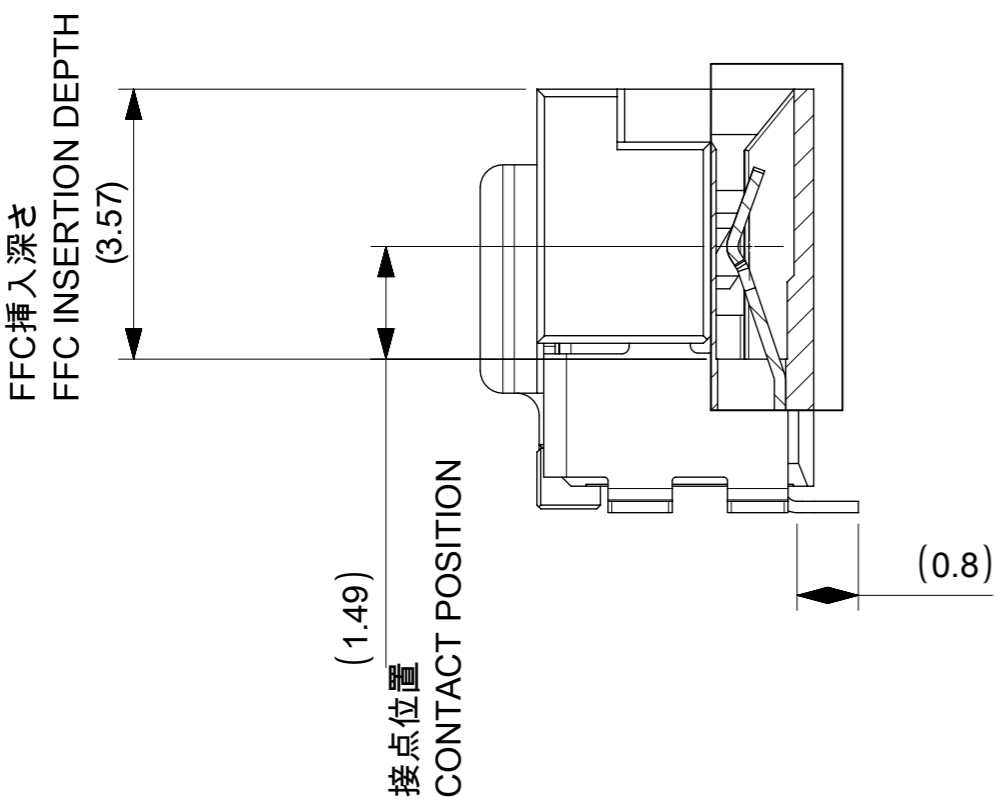


NOTES:

1.使用材料 MATERIAL
 ハウジング：液晶ポリマー，ガラス充填，UL94V-0(黒)
 HOUSING：LIQUID CRYSTAL POLYMER, GLASS FILLED, UL94V-0(BLACK)
 ボタン：液晶ポリマー，ガラス充填，UL94V-0(ナチュラル)
 BUTTON：LIQUID CRYSTAL POLYMER, GLASS FILLED, UL94V-0(NATURAL)
 ターミナル：銅合金(t=0.15)
 TERMINAL：COPPER ALLOY
 ロックネイル：銅合金(t=0.15)
 LOCK NAIL：COPPER ALLOY

2.めっき仕様 PLATING
 ターミナル TERMINAL
 接点部：金めっき 0.1μm以上
 CONTACT AREA：GOLD 0.1 MICROMETER MINIMUM
 半田付け部：金めっき
 SOLDER TAIL AREA：GOLD
 下地めっき：ニッケル 1.0μm以上
 UNDERPLATE：NICKEL 1.0 MICROMETER MINIMUM
 ロックネイル LOCK NAIL
 錫めっき(1.0μm以上)
 TIN PLATING (1.0 MICROMETER MIN.)

3.平坦度は0.1ミリ以下とする。
 COPLANALITY TO BE 0.1 MAXIMUM.



1.301	43.5	49.2	39.5	49.49	2004850580	80
1.194	38.5	44.2	34.5	44.49	2004850570	70
1.053	33.5	39.2	29.5	39.49	2004850560	60
0.958	29	34.7	25	34.99	2004850551	51
0.942	28.5	34.2	24.5	34.49	2004850550	50
0.796	23.5	29.2	19.5	29.49	2004850540	40
0.702	21	26.7	17	26.99	2004850535	35
0.650	18.5	24.2	14.5	24.49	2004850530	30
0.504	13.5	19.2	9.5	19.49	2004850520	20
0.358	8.5	14.2	4.5	14.49	2004850510	10
NET WEIGHT (g)	D	C	B	A	EMBOSSED PACKAGE	CIRCUIT

CONNECTOR SERIES NO. 20048515**

THIS DRAWING CONTAINS INFORMATION THAT IS PROPRIETARY TO MOLEX ELECTRONIC TECHNOLOGIES, LLC AND SHOULD NOT BE USED WITHOUT WRITTEN PERMISSION

DIMENSION UNITS	SCALE	CURRENT REV DESC:		molex		
mm	5:1					
GENERAL TOLERANCES (UNLESS SPECIFIED)		EC NO: 674194		0.5FFC CONN. ST ONE TOUCH ASS'Y		
ANGULAR TOL	± 1.0°	DRWN: AHMADI2		PRODUCT CUSTOMER DRAWING		
4 PLACES	± 0.1	CHK'D: TKON		DOCUMENT NUMBER		
3 PLACES	± 0.1	APPR: SHOSHIKAWA		DOC TYPE		
2 PLACES	± 0.1	INITIAL REVISION:		DOC PART		
1 PLACE	± 0.1	DRWN: TYAMANE		REVISION		
0 PLACES	± 0.1	APPR: RTAKEUCHI		2004851500		
DRAFT WHERE APPLICABLE MUST REMAIN WITHIN DIMENSIONS	THIRD ANGLE PROJECTION	DRAWING	SERIES	MATERIAL NUMBER	CUSTOMER	SHEET NUMBER
		A3-SIZE	200485	SEE TABLE	GENERAL	1 OF 2

