

Würth Elektronik eiSos GmbH &amp; Co. KG

EMC &amp; Inductive Solutions

Max-Eyth-Straße 1 · 74638 Waldenburg · Germany

Tel. +49 (0) 79 42 945-0 · Fax +49 (0) 79 42 945-400

eiSos@we-online.de · www.we-online.de



## Product / Process Change Notification (PCN)

- Major change  
 Minor change

**PCN #:** PCN\_WL-SBCC\_20190524

**Affected Series:** WL-SBCC; 150060RV75240

**PCN Date:** April 25, 2019

**Effective Date:** May 24, 2019

### Change Category:

- Equipment / Location  
 General Data  
 Material  
 Process  
 Product Design  
 Shipping / Packaging  
 Supplier  
 Software

**Contact:** Product Management

**Phone:** +49 (0) 7942 - 945 5001

**Fax:** +49 (0) 7942 - 945 5179

**E-Mail:** pcn.eisos@we-online.com

### Data Sheet Change:

Yes  No

### Attachment:

Yes  No

### DESCRIPTION AND PURPOSE OF CHANGE:

Because of a database mismatch, Würth Elektronik corrected the drawing of schematic. The component itself didn't change.

There will be no change in form, fit, function, quality or reliability of the product.

Würth Elektronik eiSos GmbH &amp; Co. KG

EMC &amp; Inductive Solutions

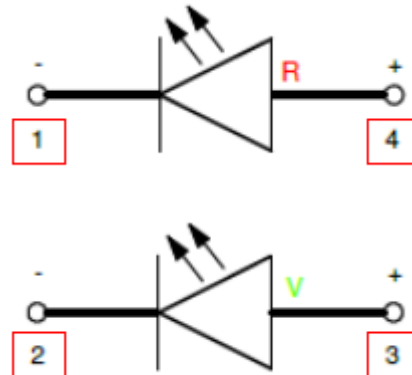
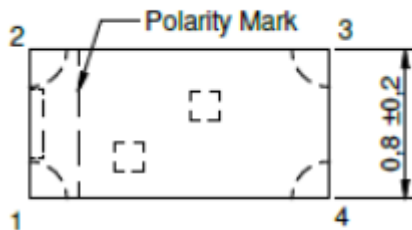
Max-Eyth-Straße 1 · 74638 Waldenburg · Germany

Tel. +49(0)79 42 945-0 · Fax +49(0)79 42 945-400

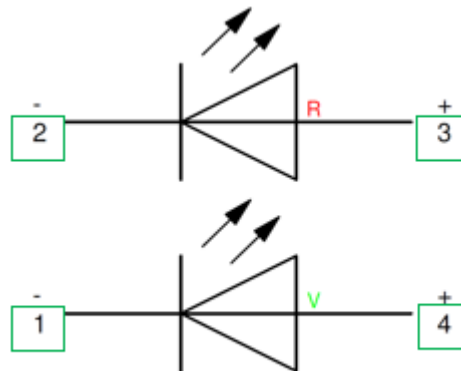
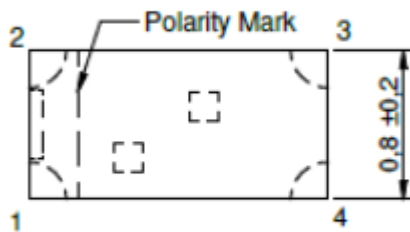
eiSos@we-online.de · www.we-online.de

**DETAIL OF CHANGE:**

Before:



After:

**RELIABILITY / QUALIFICATION SUMMARY:**

There will be no change of the product, therefore no additional reliability or qualification testing will be performed