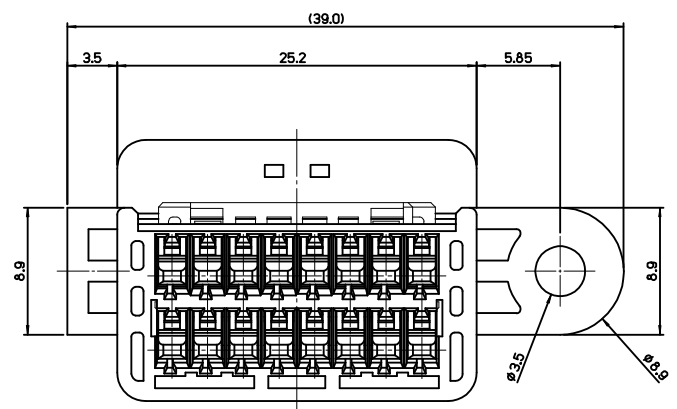
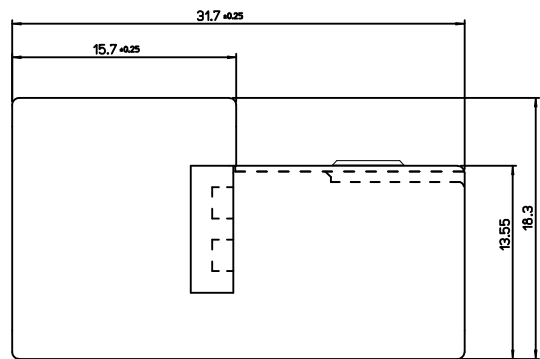
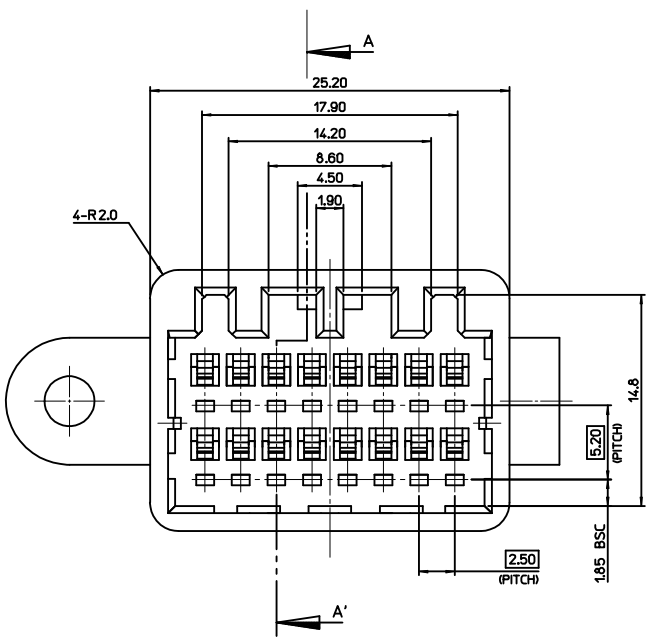
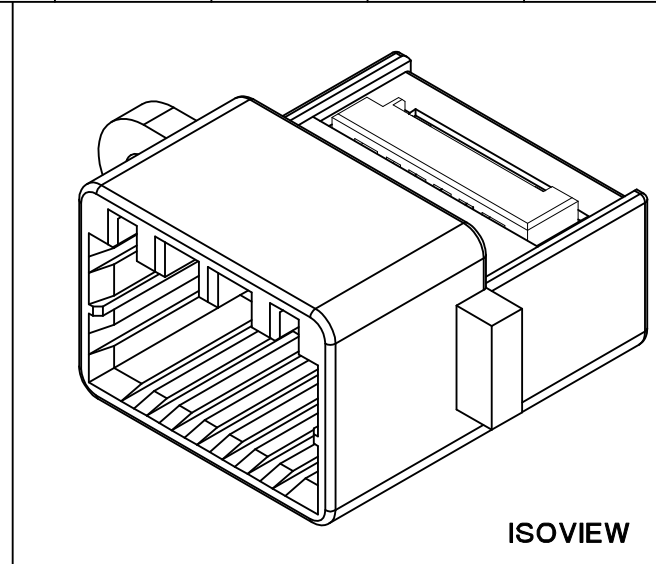
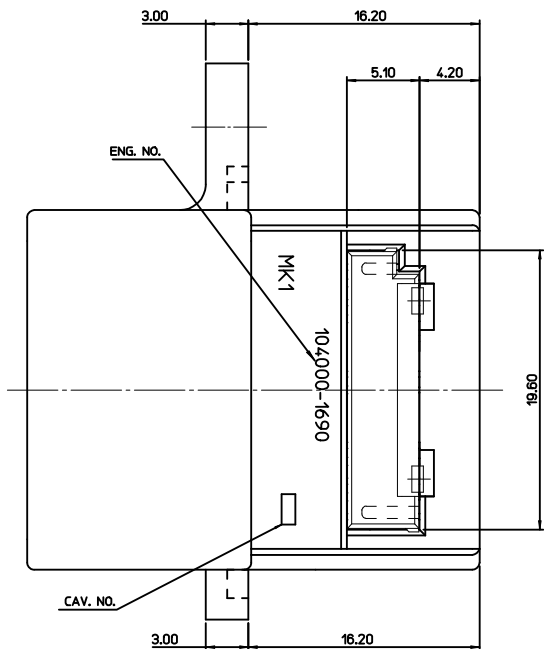
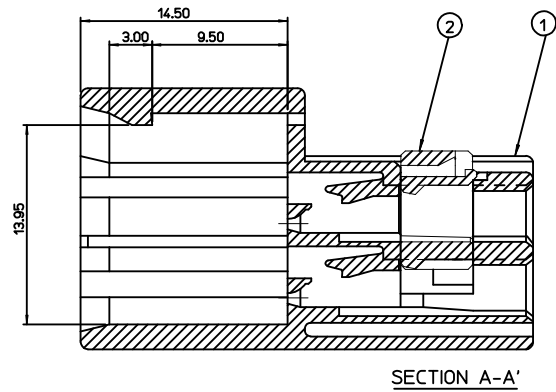


<PART LIST>

NO.	PART NAME	MATERIAL	USAGE	REMARK
①	MALE HSG 16P	POLYESTER	1	NATURAL
②	MALE TPA 16P	POLYESTER	1	YELLOW



- <NOTE>
1. APPLICABLE MALE TERMINAL : 50660-9001
  2. MATING FEMALE HOUSING ASS'Y : 35563-1615
  3. MATING FEMALE TERMINAL : 50654-1001

<TABLE 1>

104000-1610	104000-1610
MATERIAL NO.	ORDER NO.

<b>NEW RELEASED</b> IEC NO: KOR2009-0102 DRW: EOKIM 2009/04/07 CHK: BCYOON 2009/04/07 APPR: YUNSIKKIM 2009/04/07	<b>QUALITY SYMBOLS</b> ▽=0 ▽=0	<b>GENERAL TOLERANCES (UNLESS SPECIFIED)</b>		<b>DIMENSION STYLE</b> MM ONLY	<b>SCALE</b> 4:1	<b>DESIGN UNITS</b> METRIC	<b>THIRD ANGLE PROJECTION</b>		
		4 PLACES ± --- ± --- 3 PLACES ± --- ± --- 2 PLACES ± 0.20 ± --- 1 PLACE ± 0.30 ± --- ANGULAR ± 1 °	mm      INCH	<b>DRAWN BY</b> EOKIM	<b>DATE</b> 2008/03/06	<b>TITLE</b> 040 MIRROR MALE HOUSING ASS'Y 16P			
				<b>CHECKED BY</b> BCYOON	<b>DATE</b> 2008/03/06	<b>MOLEX INCORPORATED</b>			
				<b>APPROVED BY</b> EHJUNG	<b>DATE</b> 2008/03/06	<b>MATERIAL NO.</b> SEE TABLE 1	<b>DOCUMENT NO.</b> SD-104000-001	<b>SHEET NO.</b> 1 OF 1	
<b>DRAFT WHERE APPLICABLE MUST REMAIN WITHIN DIMENSIONS</b>		<b>SIZE</b> A2		<b>THIS DRAWING CONTAINS INFORMATION THAT IS PROPRIETARY TO MOLEX INCORPORATED AND SHOULD NOT BE USED WITHOUT WRITTEN PERMISSION</b>					