

**HEADERS CODINGS**

(CODING 2 SHOWN)

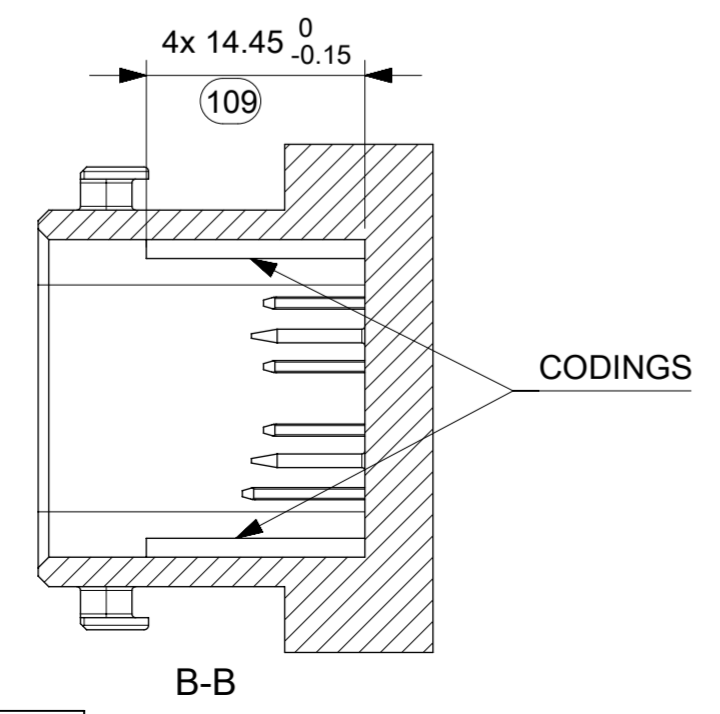
HEADER'S CODINGS FOR MODULE T2 (32W)					
COLOR	CODING	DIM. A	DIM. B	DIM. C	DIM. D
BLACK	1	9.1	4.3	5.9	4.3
GREY	2	7.5	5.9	9.1	5.9
BROWN	3	5.9	7.5	9.1	9.1
GREEN	4	7.5	9.1	4.3	4.3
BLUE	5	4.3	7.5	5.9	5.9
YELLOW	6	9.1	7.5	4.3	7.5

(CODING 3 SHOWN)

HEADER'S CODINGS FOR MODULE T3 (48W)					
COLOR	CODING	DIM. A	DIM. B	DIM. C	DIM. D
BLACK	1	12.9	6.3	8.5	6.3
GREY	2	10.7	8.5	12.9	8.5
BROWN	3	8.5	10.7	12.9	12.9
GREEN	4	10.7	12.9	6.3	6.3
BLUE	5	6.3	10.7	8.5	8.5
YELLOW	6	12.9	10.7	6.3	10.7

NOTE:

- 1- INTERFACE DEFINITION BASED ON NFR13-462 STANDARD.
- 2- HEADER: ELASTICITY MODULUS: 8000Mpa min. (INITIAL CONDITION BEFORE AGEING)



THIS DRAWING CONTAINS INFORMATION THAT IS PROPRIETARY TO MOLEX ELECTRONIC TECHNOLOGIES, LLC AND SHOULD NOT BE USED WITHOUT WRITTEN PERMISSION

DIMENSION UNITS: mm	SCALE: 2:1	CURRENT REV DESC: NX RE-MASTERING	
GENERAL TOLERANCES (UNLESS SPECIFIED)		EC NO: 603689	
ANGULAR TOL	± 2.0°	DRWN: SLAFAURE	2018/07/17
4 PLACES	± 0.10	CHK'D: OPLESSIS	2018/08/31
3 PLACES	± 0.10	APPR: SLAFAURE	2018/09/03
2 PLACES	± 0.10	INITIAL REVISION:	
1 PLACE	± 0.10	DRWN: G.DESBRUERES	2008/10/02
0 PLACES	±	APPR: OPLESSIS	2008/10/06
DRAFT WHERE APPLICABLE MUST REMAIN WITHIN DIMENSIONS	FIRST ANGLE PROJECTION	DRAWING: A2-SIZE	SERIES: 98644

32 & 48CKT CMC INTERFACE

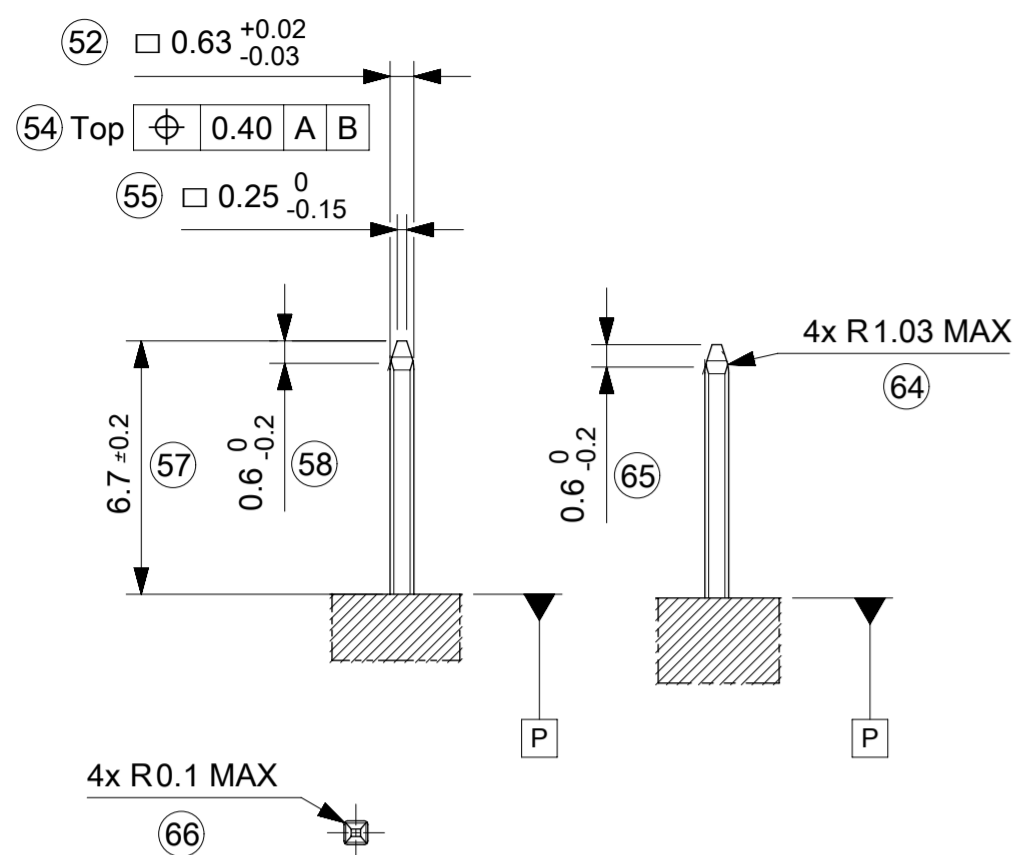
PRODUCT CUSTOMER DRAWING

DOCUMENT NUMBER	DOC TYPE	DOC PART	REVISION
SD-98644-006	PSD	001	B1

MATERIAL NUMBER	CUSTOMER	SHEET NUMBER
N/A	GENERAL MARKET	1 OF 3

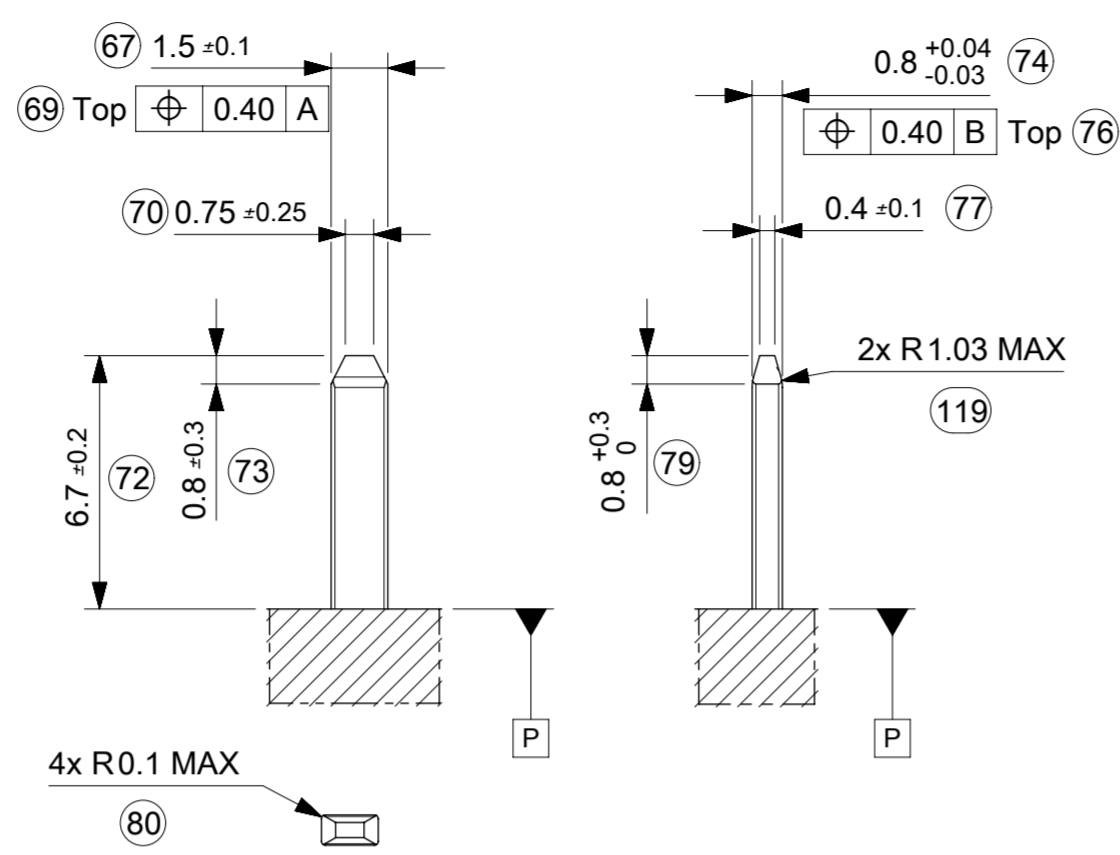
**PINS 0.635 DEFINITION**

5:1



**TABS 1.5 DEFINITION**

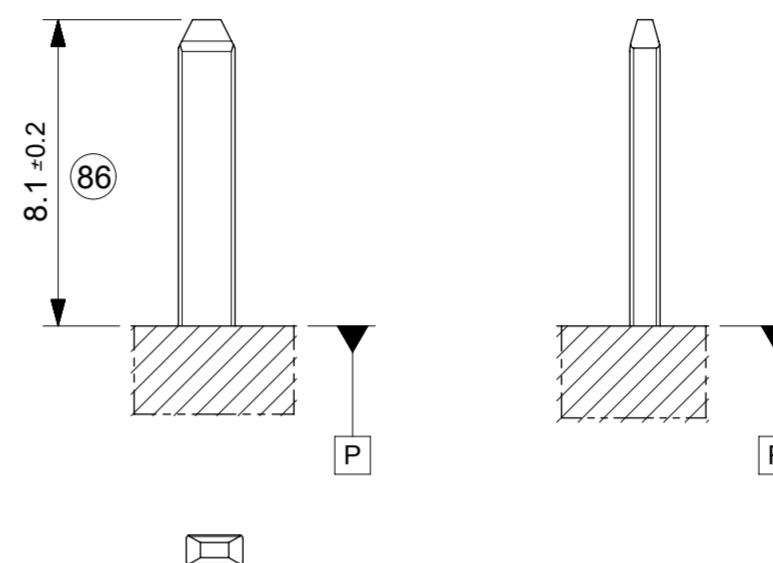
5:1



**GROUND TABS 1.5 DEFINITION**

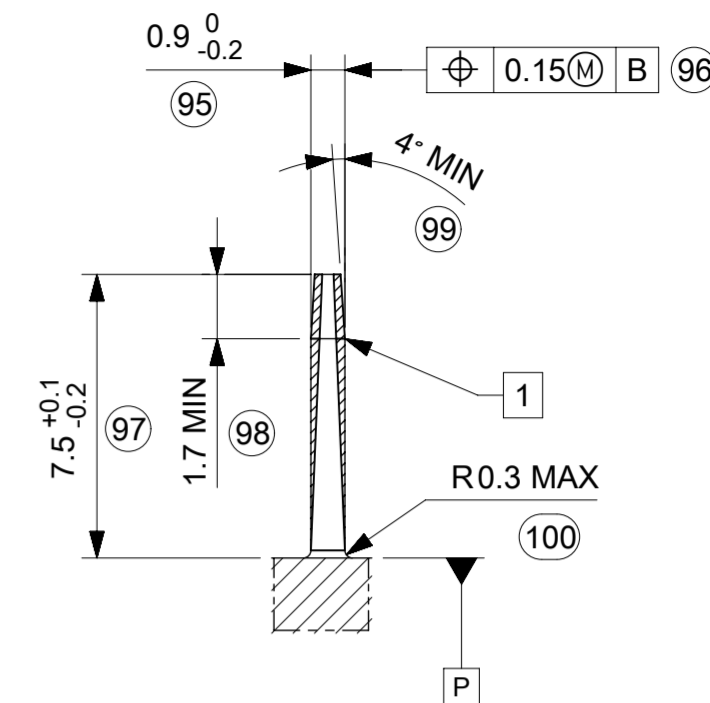
5:1

FOR OTHER DIMENSIONS  
SEE TABS 1.5 DEFINITION



**PROTECTION WALL DEFINITION**

5:1

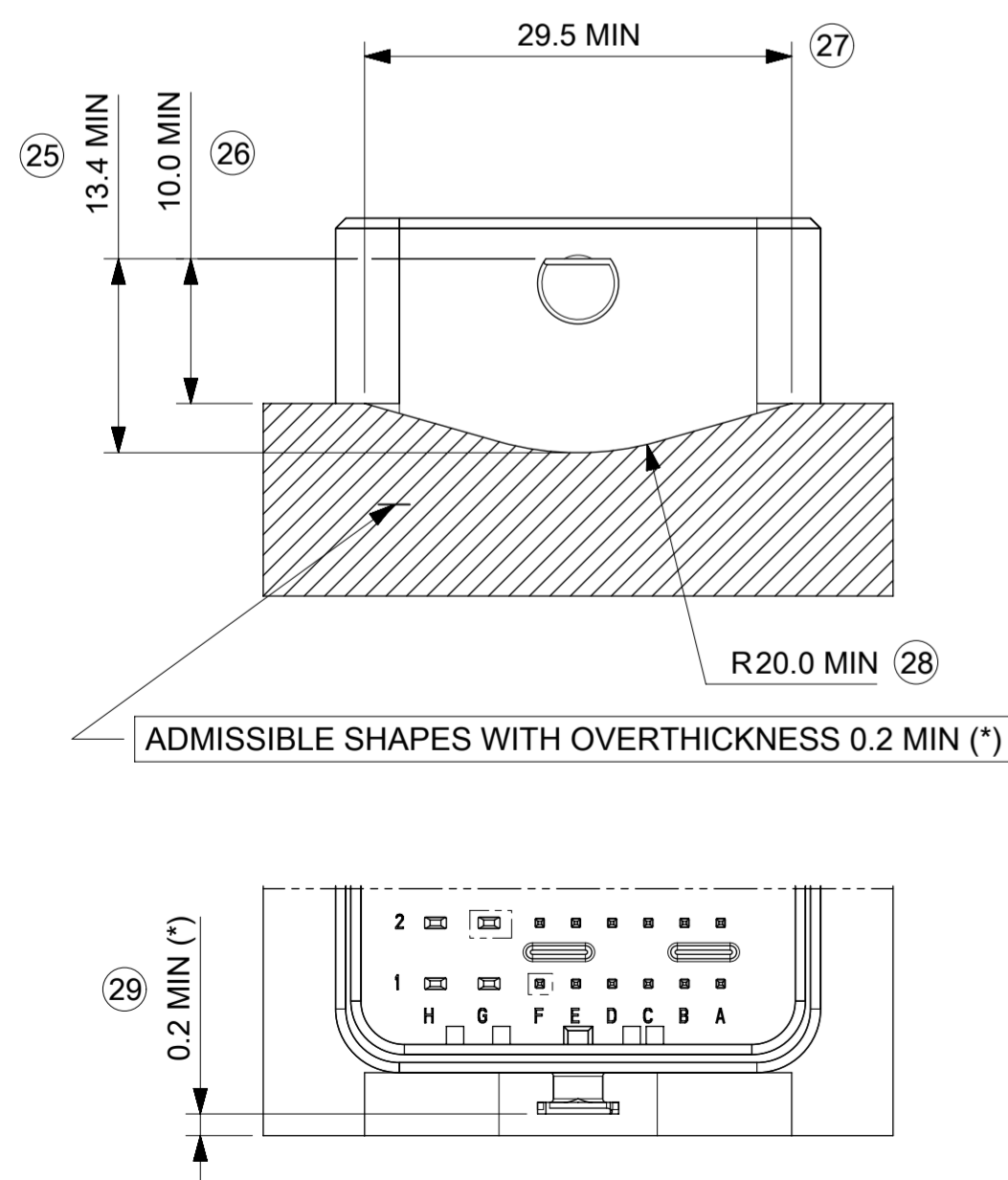


1 : SHAPES ALLOWED

**LOCKING AXIS PROTECTION**

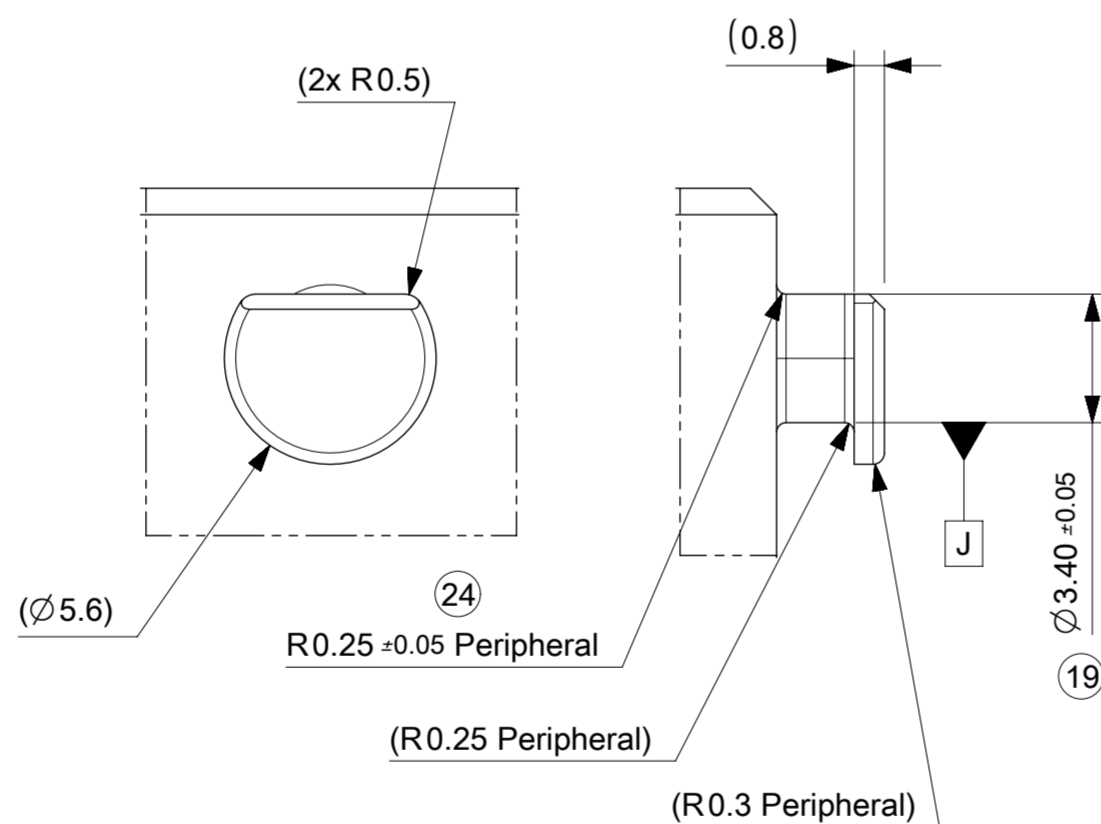
5:1

MANDATORY OVERTHICKNESS: dimension noted (\*)  
IF THE LOCKING AXIS ARE OUT OF  
EQUIPMENT OVERALL DIMENSIONS.



**LOCKING AXIS DEFINITION**

5:1

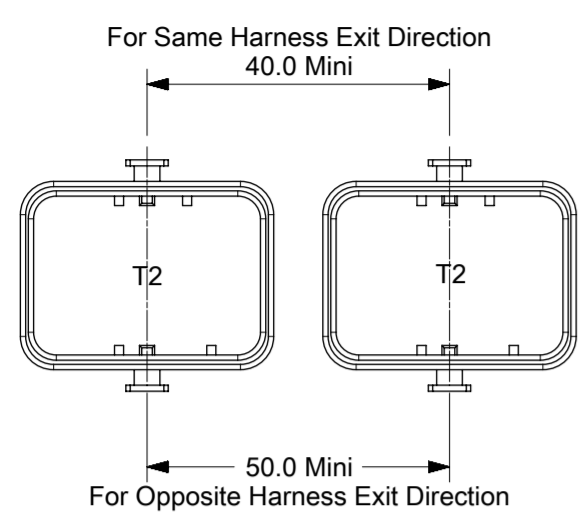


THIS DRAWING CONTAINS INFORMATION THAT IS PROPRIETARY TO MOLEX ELECTRONIC TECHNOLOGIES, LLC AND SHOULD NOT BE USED WITHOUT WRITTEN PERMISSION

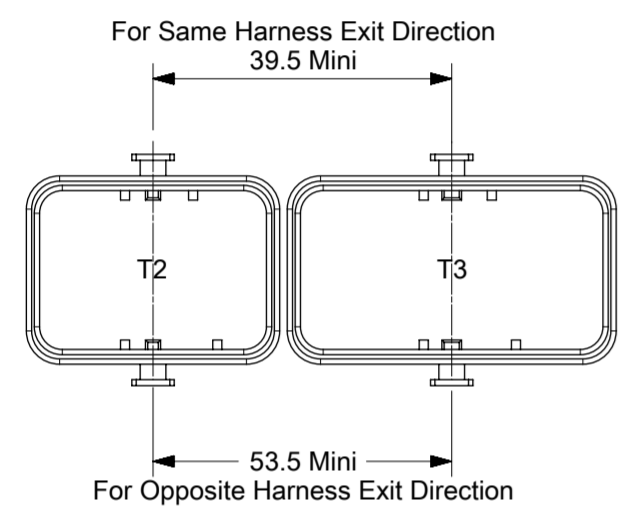
DIMENSION UNITS	SCALE	CURRENT REV DESC: NX RE-MASTERING				
mm	1:1					
GENERAL TOLERANCES (UNLESS SPECIFIED)				32 & 48CKT CMC INTERFACE		
ANGULAR TOL	± 2.0°	EC NO: 603689		PRODUCT CUSTOMER DRAWING		
4 PLACES	± 0.1	DRWN: GMANIVANNAN 2018/07/17		DOCUMENT NUMBER		
3 PLACES	± 0.1	CHK'D: OPLESSIS 2018/08/31		SD-98644-006		
2 PLACES	± 0.1	APPR: SLAFAURE 2018/09/03		DOC TYPE   DOC PART   REVISION		
1 PLACE	± 0.1	INITIAL REVISION:		PSD   001   B1		
0 PLACES	±	DRWN: GDESBRUERES 2008/10/02		MATERIAL NUMBER		
		APPR: OPLESSIS 2008/10/06		CUSTOMER		
DRAFT WHERE APPLICABLE MUST REMAIN WITHIN DIMENSIONS		FIRST ANGLE PROJECTION	DRAWING	SERIES	SHEET NUMBER	
			A2-SIZE	98644	2 OF 3	
					GENERAL MARKET	

DOCUMENT STATUS	P1	RELEASE DATE	2018/09/03	08:17:38
-----------------	----	--------------	------------	----------

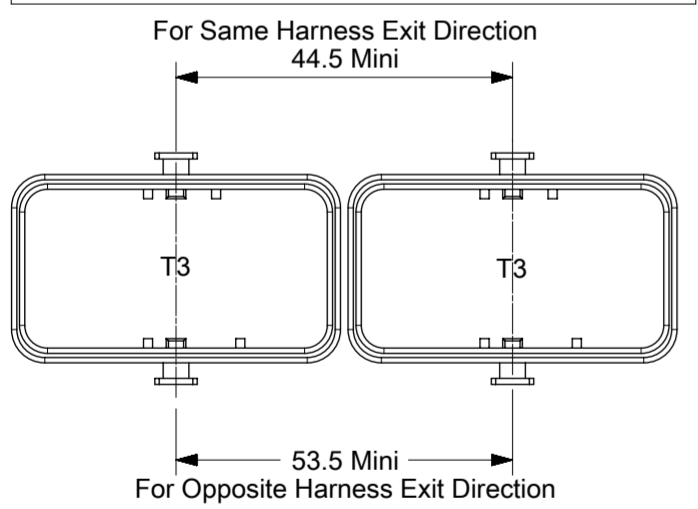
LAYOUT FOR TWO INTERFACES T2 (32W)



LAYOUT FOR TWO INTERFACES T2 (32W) AND T3 (48W)



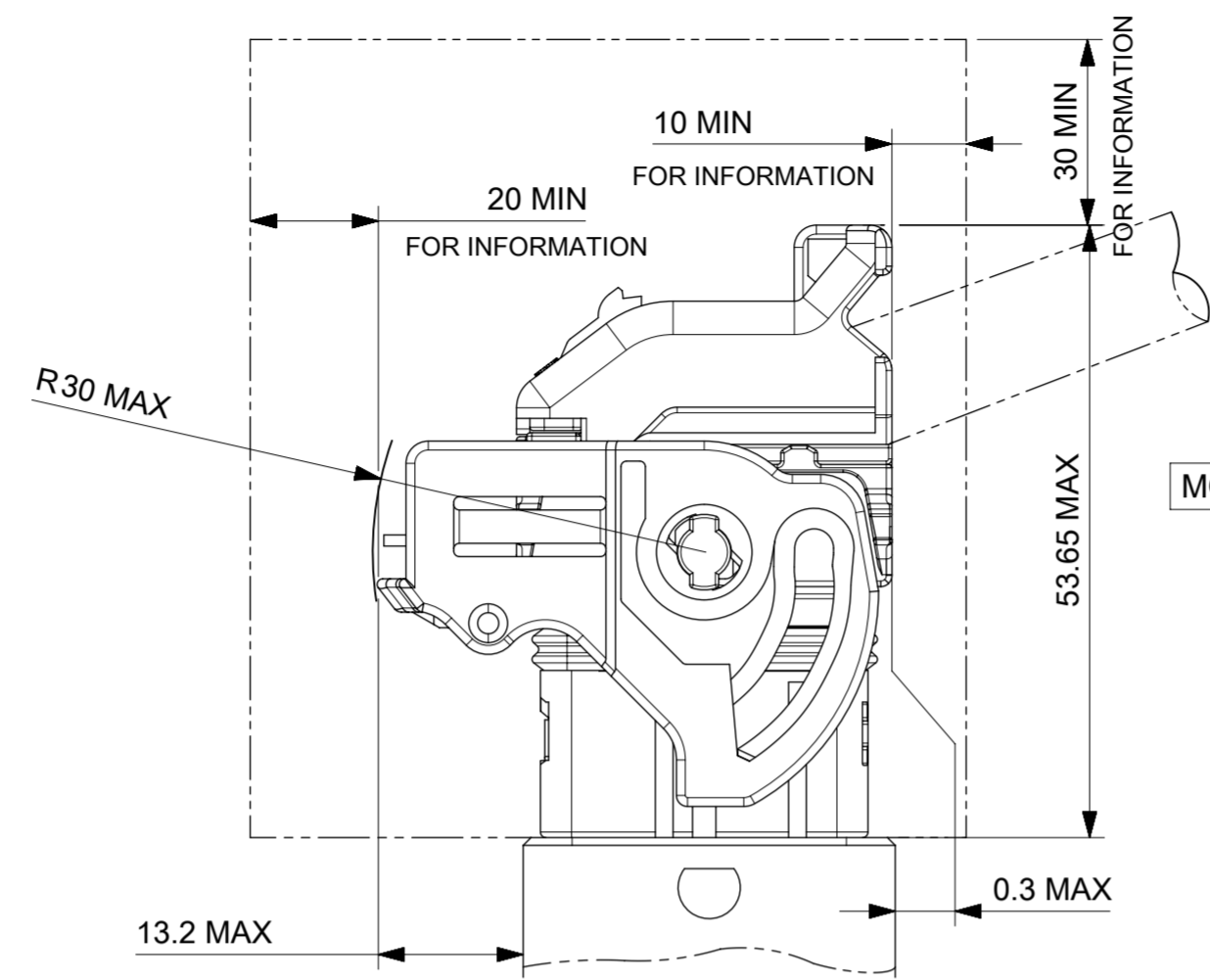
LAYOUT FOR TWO INTERFACES T3 (48W)



MULTI - HEADERS LAYOUT

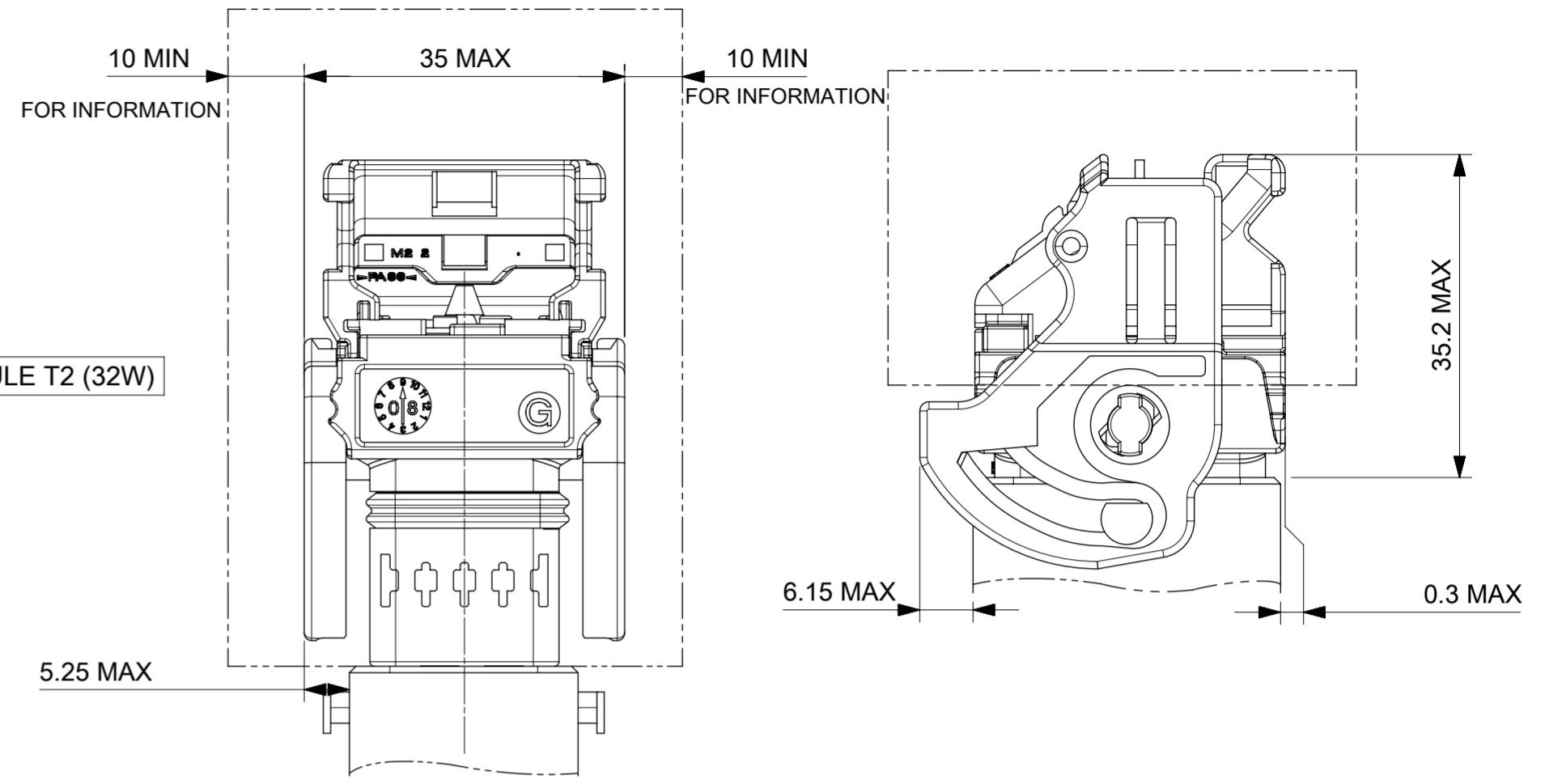
CONNECTOR ON HEADER - OVERALL DIMENSIONS

UNLOCKED CONNECTOR - OVERALL DIMENSIONS

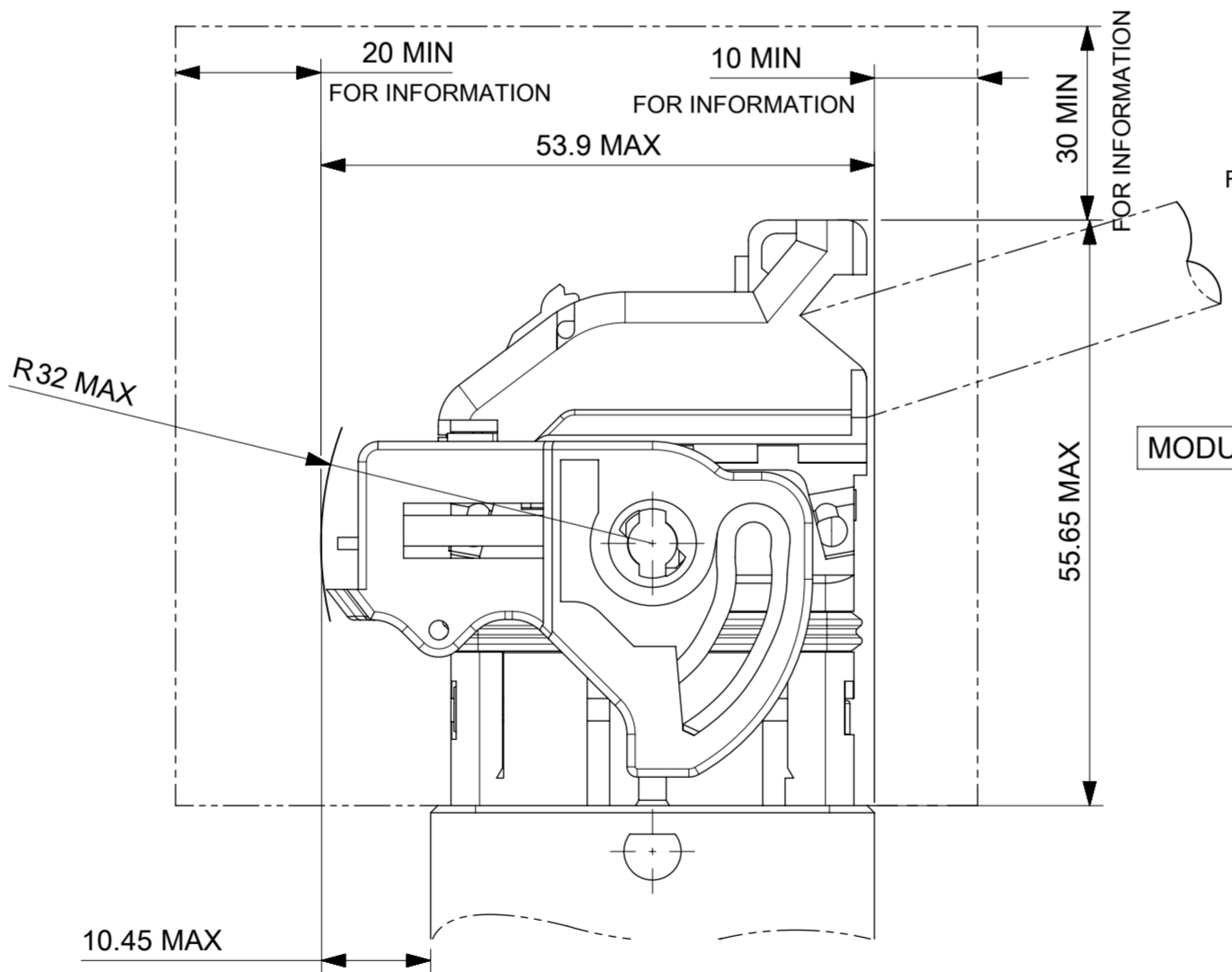


MODULE T2 (32W)

LOCKED CONNECTOR - OVERALL DIMENSIONS

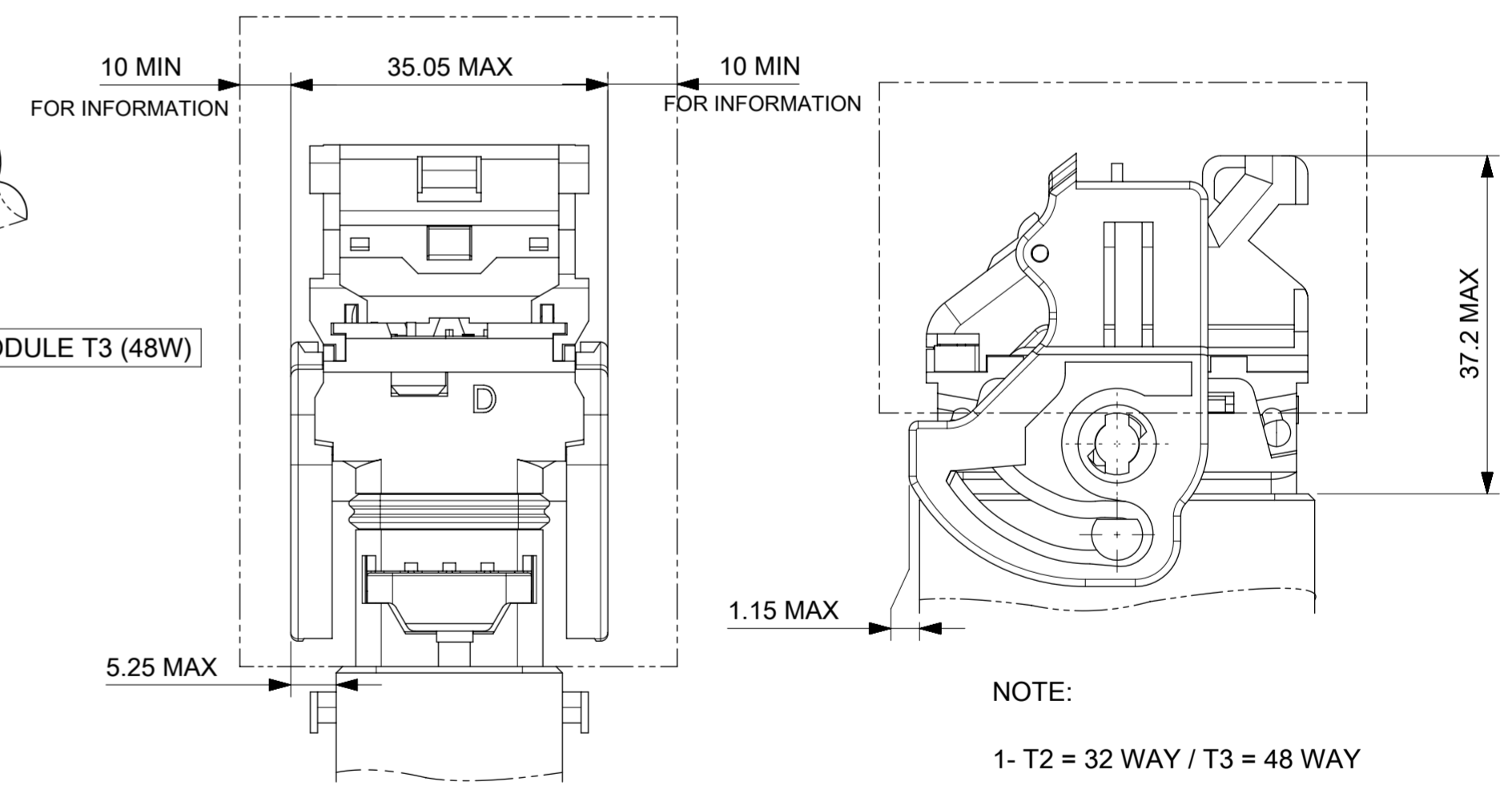


UNLOCKED CONNECTOR - OVERALL DIMENSIONS

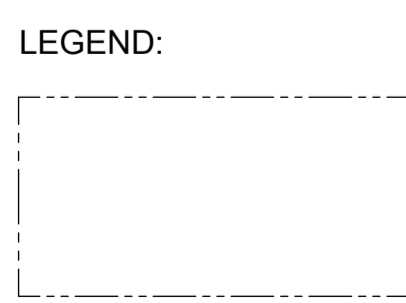


MODULE T3 (48W)

LOCKED CONNECTOR - OVERALL DIMENSIONS



NOTE:  
1- T2 = 32 WAY / T3 = 48 WAY

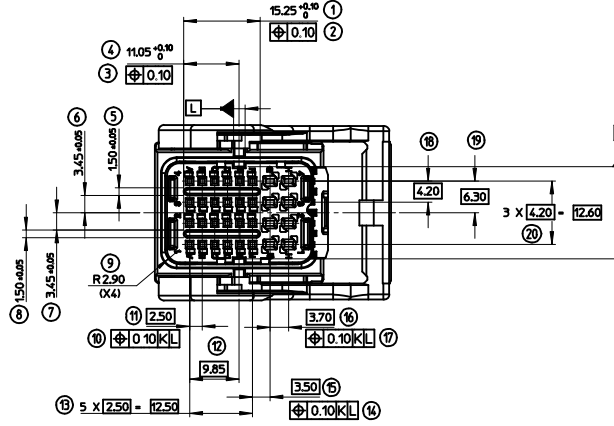


LEGEND:  
FREE VOLUME FOR MANUAL LOCKING AND UNLOCKING  
DIMENSIONS GIVEN FOR INFORMATION ONLY BE  
CONFIRMED BASED UPON VEHICLE CONFIGURATION.

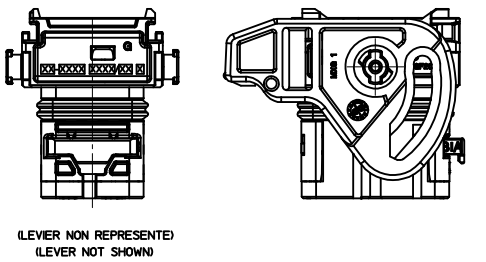
THIS DRAWING CONTAINS INFORMATION THAT IS PROPRIETARY TO MOLEX ELECTRONIC TECHNOLOGIES, LLC AND SHOULD NOT BE USED WITHOUT WRITTEN PERMISSION

DIMENSION UNITS	SCALE	CURRENT REV DESC: NX RE-MASTERING	
mm	1:1		
GENERAL TOLERANCES (UNLESS SPECIFIED)			
ANGULAR TOL	± 2.0°	EC NO:	603689
4 PLACES	± 0.1	DRWN:	SLAFAURE 2018/07/17
3 PLACES	± 0.1	CHK'D:	OPLESSIS 2018/08/31
2 PLACES	± 0.1	APPR:	SLAFAURE 2018/09/03
1 PLACE	± 0.1	INITIAL REVISION:	
0 PLACES	±	DRWN:	GDESBRUERES 2008/10/02
		APPR:	OPLESSIS 2008/10/06
DRAFT WHERE APPLICABLE MUST REMAIN WITHIN DIMENSIONS	FIRST ANGLE PROJECTION	DRAWING	SERIES
		A2-SIZE	98644
DOCUMENT STATUS	P1	RELEASE DATE	2018/09/03 08:17:38
		MATERIAL NUMBER	N/A
		CUSTOMER	GENERAL MARKET
		DOCUMENT NUMBER	SD-98644-006
		DOC TYPE	PSD
		DOC PART	001
		REVISION	B1
		SHEET NUMBER	3 OF 3

INDICATION DIMENSIONS S.P.C DENOTES S.P.C DIMENSIONS  
 INDICATION DIMENSIONS CRITIQUES DENOTES CRITICAL DIMENSIONS  
 INDICATION DIMENSIONS FONCTIONNELLES DENOTES FUNCTIONAL DIMENSIONS  
 QUANTITE PAR FEUILLE INDIVIDUELLE QUANTITY PER INDIVIDUAL SHEET  
 X = 0    X = 0    X = 3

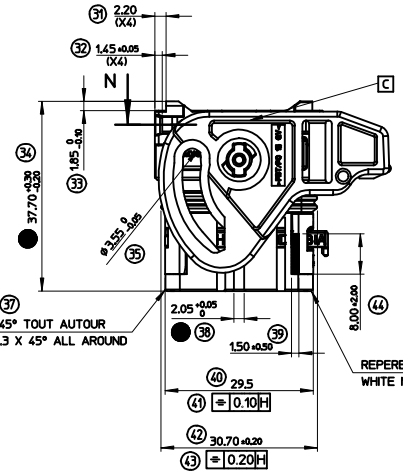
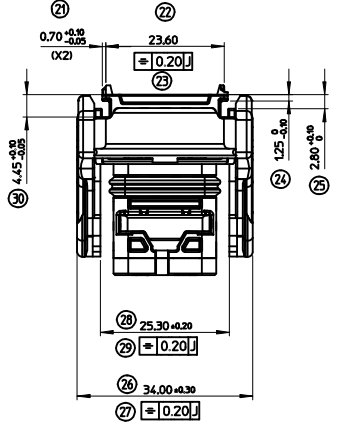


PORTE-CLIPS 32 VOIES SORTIE DROITE FEMALE MODULE 32 WAY RIGHT WIRE OUTPUT	
REF. MOLEX / MOLEX P/N	COULEUR/COULEUR
0989442001	NOIR/BLACK
0989442002	GRIS/GREY
0989442003	MARRON/BROWN
0989442004	VERT/GREEN
0989442005	BLEU/BLUE
PORTE-CLIPS 32 VOIES SORTIE GAUCHE FEMALE MODULE 32 WAY LEFT WIRE OUTPUT	
REF. MOLEX / MOLEX P/N	COULEUR/COULEUR
0989443001	NOIR/BLACK
0989443002	GRIS/GREY
0989443003	MARRON/BROWN
0989443004	VERT/GREEN
0989443005	BLEU/BLUE



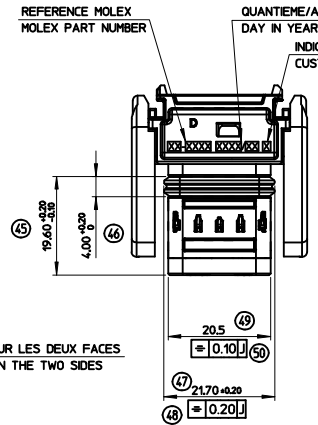
(LEVIER NON REPRESENTE)  
(LEVER NOT SHOWN)

LETTRE G VISIBLE, SORTIE GAUCHE  
LETTER G VISIBLE, LEFT WIRE OUTPUT

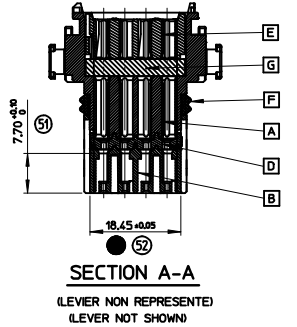


CH. 0.3 X 45° TOUT AROUND  
CHAMFER 0.3 X 45° ALL AROUND

REPERE BLANC SUR LES DEUX FACES  
WHITE MARKING ON THE TWO SIDES



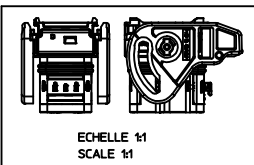
REFERENCE MOLEX MOLEX PART NUMBER  
 QUANTIEME/ANNEE DE L'ASSEMBLAGE DAY IN YEAR/YEAR OF ASSEMBLY  
 INDICE DE REVISION DU PLAN CLIENT CUSTOMER DRAWING REVISION LEVEL



SECTION A-A  
(LEVIER NON REPRESENTE)  
(LEVER NOT SHOWN)

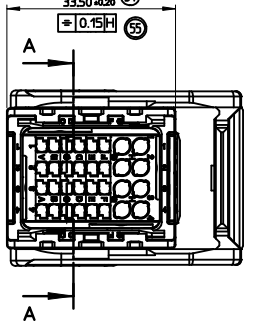
NOTES:

- LE PORTE-CLIPS ASSEMBLE REPRESENTE EST LA VERSION SORTIE DROITE CODAGE 1  
FOR ILLUSTRATION PURPOSE THE FEMALE MODULE SHOWN IS THE RIGHT WIRE OUTPUT VERSION CODING 1
- IMPLANTATION DES CLIPS, ENCOMBREMENTS, DETROMPAGE SUIVANT INTERFACE CONNECTIQUE PSA STE 9629500099 ET RENAULT 7710 001 079  
CLIPS LAYOUT, CODING FOLLOWING PSA INTERFACE CONNECTIQUE STE 9629500099 AND RENAULT 7710 001 079
- REFERENCE DES CONNEXIONS SUIVANT STE 9637276380 ET STE 9628421380  
TERMINAL PART NUMBER FOLLOWING STE 9637276380 AND STE 9628421380
- PRODUIT CONFORME A LA SPECIFICATION PSA STE 9629568099  
PRODUCT IN ACCORDANCE WITH PSA SPECIFICATION STE 9629568099
- CAHIER DE PRECONISATION : RAS-98644-005  
APPLICATION SPECIFICATION : RAS-98644-005
- LE PORTE-CLIPS EQUIPE S'ASSEMBLE AVEC LE CAPOT REFERENCE : 0986491003  
THE ASSEMBLED FEMALE MODULE IS ASSEMBLED WITH THE COVER PART NUMBER : 0986491003
- POIDS PIECE: 30,275 g  
PART WEIGHT: 30.275 g



ECHELLE 1:1  
SCALE 1:1

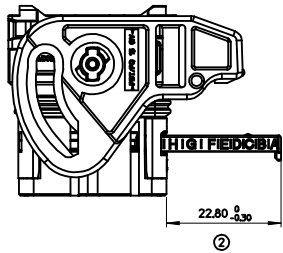
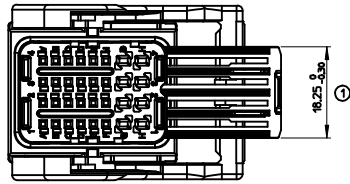
0986570001	G	JOINT GEL GROMMET GEL GROMMET SEAL	SILICONE	BLEU/BLUE
0986560001	F	JOINT INTERFACIAL PERIMETER SEAL	SILICONE	BLEU/BLUE
0986481001	E	GRILLE DE COMPRESSION REAR SEAL COVER	PBTP 20% GF.	BLEU/BLUE
0986471001	D	DOUBLE VERROUILLAGE SECONDARY LOCKING	PBTP 30% GF.	VERT/GREEN
0986461001	C	LEVIER/LEVER	PBT/PC 15% GF.	GRIS/GREY
0986451005	B	BOTIER INFERIEUR BOTTOM HOUSING	PBTP 20% GF.	BLEU/BLUE
0986451004				VERT/GREEN
0986451003				MARRON/BROWN
0986451002				GRIS/GREY
0986451001	A	BOTIER SUPERIEUR TOP HOUSING	PBTP 20% GF.	NOIR/BLACK
REF. MOLEX MOLEX PART NUMBER	REP.	DESIGNATION	MATIERE/MATERIAL	COULEUR/COULEUR



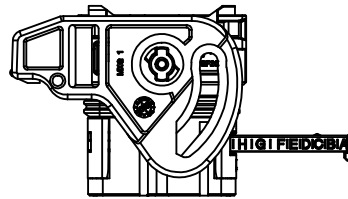
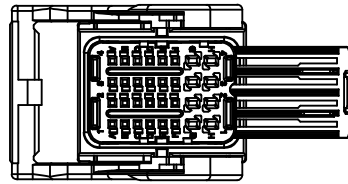
EC NO.: G2009-0313 DRW: PGRANICLZ009/06/18 CHKD: PDECHELEZ009/06/18 APPR: CBOUCHANZ009/06/18	GENERAL TOLERANCES (UNLESS SPECIFIED)	SCALE 2:1	DESIGN UNITS METRIC	FIRST ANGLE PROJECTION	REVISE ON CAD ONLY
	4 PLACES ± --- ± ---	DIMENSION STYLE MM ONLY	DRAWN BY DATE PGR 99/12/12	DATE 00/02/02	MATERIAL NO. DOCUMENT NO. SHEET NO. SEE CHART SD-98944-010 1 OF 2
	3 PLACES ± --- ± ---				
	2 PLACES ± 0.10 ± ---	CHECKED BY DATE PDE 00/02/02	MOLEX MOLEX INCORPORATED		
1 PLACE ± 0.15 ± ---	APPROVED BY DATE CBO 00/02/02	THIS DRAWING CONTAINS INFORMATION THAT IS PROPRIETARY TO MOLEX INCORPORATED AND SHOULD NOT BE USED WITHOUT WRITTEN PERMISSION			
DRAFT WHERE APPLICABLE MUST REMAIN WITHIN DIMENSIONS					

ENCOMBREMENT PORTE-CLIPS D.V. POSITION MONTAGE CLIP  
FEMALE MODULE LAYOUT SECONDARY LOCKING POSITION FOR CLIP ASSEMBLY

PORTE-CLIPS SORTIE DROITE  
FEMALE MODULE RIGHT WIRE OUTPUT

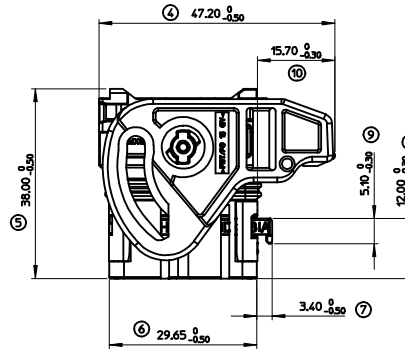
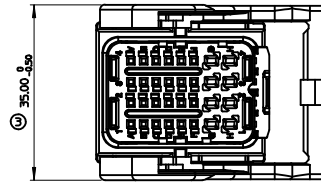


PORTE-CLIPS SORTIE GAUCHE  
FEMALE MODULE LEFT WIRE OUTPUT

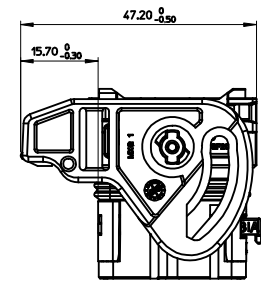
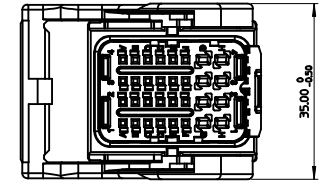


ENCOMBREMENT PORTE-CLIPS D.V. POSITION LIVRAISON  
FEMALE MODULE LAYOUT SECONDARY LOCKING IN DELIVERY POSITION

PORTE-CLIPS SORTIE DROITE  
FEMALE MODULE RIGHT WIRE OUTPUT

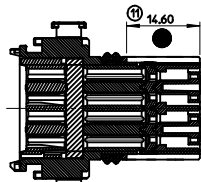
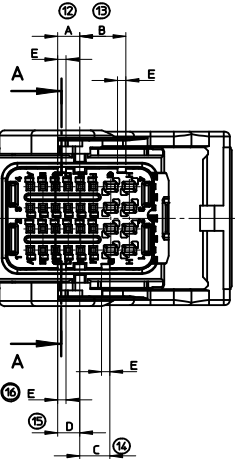


PORTE-CLIPS SORTIE GAUCHE  
FEMALE MODULE LEFT WIRE OUTPUT



POSITION DES DETROMPAGE  
CODING POSITION

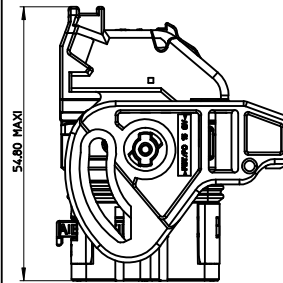
COULEUR/COLOUR	DETROMPAGE/CODING	A <sup>+0.10</sup> / <sub>0</sub>	B <sup>+0.10</sup> / <sub>0</sub>	C <sup>+0.10</sup> / <sub>0</sub>	D <sup>+0.10</sup> / <sub>0</sub>	E <sup>+0.10</sup> / <sub>0</sub>
NOIR/BLACK	1	4.40	9.15	5.95	4.40	1.65
GRIS/GREY	2	5.95	7.60	9.15	5.95	1.65
MARRON/BROWN	3	7.60	5.95	9.15	9.15	1.65
VERT/GREEN	4	9.15	7.60	4.40	4.40	1.65
BLEU/BLUE	5	7.60	4.40	5.95	5.95	1.65



SECTION A-A  
(LEVER NON REPRESENTÉ)  
(LEVER NOT SHOWN)

<input checked="" type="checkbox"/>	INDICATION DIMENSIONS S.P.C DENOTES S.P.C DIMENSIONS
<input checked="" type="checkbox"/>	INDICATION DIMENSIONS CRITIQUES DENOTES CRITICAL DIMENSIONS
<input checked="" type="checkbox"/>	INDICATION DIMENSIONS FONCTIONNELLES DENOTES FUNCTIONAL DIMENSIONS
<input checked="" type="checkbox"/>	QUANTITE PAR FEUILLE INDIVIDUELLE QUANTITY PER INDIVIDUAL SHEET
<input checked="" type="checkbox"/>	0
<input checked="" type="checkbox"/>	1

ENCOMBREMENT HORS-TOUT  
OVERALL DIMENSION



CONTACTS  
FEMALE TERMINAL

REPERE ALVEOLES CAVITIES NUMBER	CONTACTS FEMALE TERMINAL	REF. MOLEX MOLEX P/N	DIAMETRE ISOLANT FIL MINI / MAXI MIN / MAX WIRE INSULATION DIAMETER
A1 à F1	CLIP 0,63 (0.35mm2 à 0.60mm2)	0986581211	Ø125 min / Ø190 max
A2 à F2		0986581213	
A3 à F3	CLIP 0,63 (0.75mm2)	0986581212	Ø160 min / Ø190 max
A4 à F4		0989151029	
G1 à G4	CLIP 1,5 (0.5mm2 à 1mm2)	0989151029	Ø140 min / Ø215 max
H1 à H4		0989151039	
	CLIP 1,5 (> 1mm2 à 2mm2)	0989151039	Ø225 min / Ø265 max

EC NO: G2009-0313 DRW: PGRANDL2009/06/18 CHKD: PDECHEL2009/06/18 APPR: CBOUCHANZ009/06/18	GENERAL TOLERANCES (UNLESS SPECIFIED)	SCALE 2:1	DESIGN UNITS METRIC	FIRST ANGLE PROJECTION	REVISE ON CAD ONLY
	4 PLACES ± --- ± --- 3 PLACES ± --- ± --- 2 PLACES ± 0.10 ± --- 1 PLACE ± 0.15 ± --- ANGULAR ± 1 °	DIMENSION STYLE MM ONLY	DRAWN BY PGR DATE 99/12/12	CHECKED BY PDE DATE 00/02/02	TITLE PORTE-CLIPS 32 VOIES CMC FEMALE MODULE CMC 32 WAY SALES DRAWING
DRAFT WHERE APPLICABLE MUST REMAIN WITHIN DIMENSIONS	APPROVED BY CBO DATE 00/02/02	MATERIAL NO. SEE CHART		DOCUMENT NO. SD-98944-010	SHEET NO. 2 OF 2
THIS DRAWING CONTAINS INFORMATION THAT IS PROPRIETARY TO MOLEX INCORPORATED AND SHOULD NOT BE USED WITHOUT WRITTEN PERMISSION					