

- NOTES:
1. MATERIALS:  
HOUSING - LIQUID CRYSTAL POLYMER (LCP)  
GLASS FILLED, UL94V-0, BLACK  
SIGNAL PIN AND SHIELD - COPPER ALLOY
  2. FINISHES:  
CONTACT AREA - SELECTIVE GOLD (Au)  
PCB TAILS - SELECTIVE MATTE TIN (Sn)
  3. THIS PART CONFORMS TO MOLEX PRODUCT SPECIFICATION PS-74031-999.
  4. FOR MIXED CONTACT LENGTH CONTACT MOLEX FOR AVAILABILITY.
  5. FOR SPECIFIC MATERIAL NUMBERS AND MATING INFORMATION REFER TO SHEET 2.
  6. PACKAGE PER PK-74058-003.
  7. ASSEMBLY WILL BE MARKED WITH P/N AND DATE CODE WITH LASER MARK ON SIDE OF HOUSING
  8. MAPS (MOLEX ADVANCED PLATING SYSTEM).

THE PRIMARY CARTON WITH A LABEL STATING "ELV AND RoHS COMPLAINT" IS LEAD FREE. CARTONS WITHOUT THIS LABEL MAY CONTAIN LEAD.

<b>LEAD FREE CONVERSION</b> EC NO: UCP2013-0687 DRAWINGS: 2012/08/22 CHKD:HWOLF 2012/11/26 APPR:SMILLER 2012/12/14 REV:	QUALITY SYMBOLS	GENERAL TOLERANCES (UNLESS SPECIFIED)	DIMENSION STYLE <b>MM ONLY</b>	SCALE <b>2:1</b>	DESIGN UNITS <b>METRIC</b>	THIRD ANGLE PROJECTION
	▽=0	mm INCH	DRAWN BY DATE JJONIAK 2008/07/09	TITLE	<b>VHDM H-SERIES 6 ROW BACKPLANE SIGNAL END</b> 	SHEET NO. 1 OF 2
	▽=0	4 PLACES ± --- ± --- 3 PLACES ± --- ± --- 2 PLACES ± 0.15 ± --- 1 PLACE ± 0.25 ± --- 0 PLACE ± --- ± ---	CHECKED BY DATE JJONIAK 2008/07/09	APPROVED BY DATE SMILLER 2010/03/09		
	▽=0	ANGULAR ±1/2°	DRAFT WHERE APPLICABLE MUST REMAIN WITHIN DIMENSIONS	MATERIAL NO. <b>SEE SHT.2</b>	DOCUMENT NO. <b>SD-76761-001</b>	

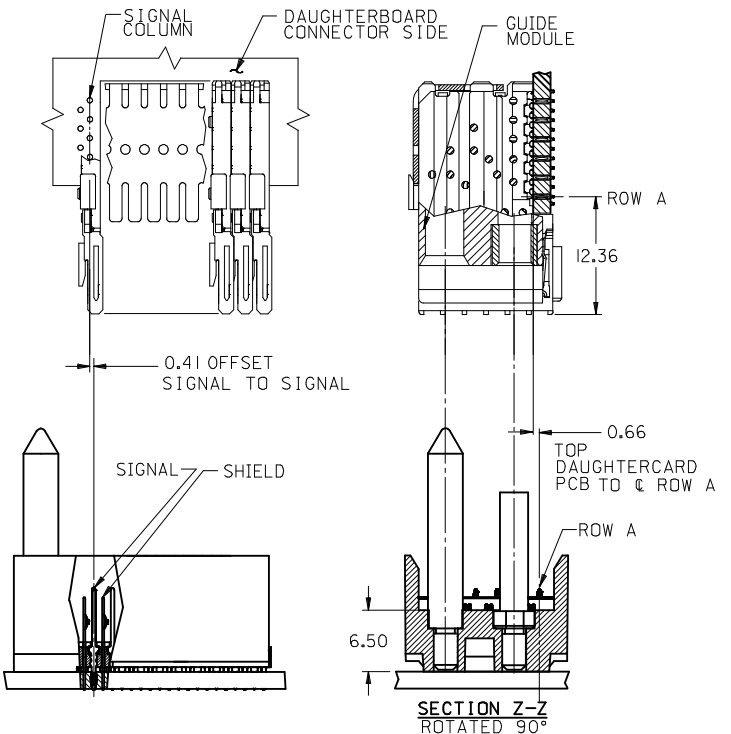
M/N 76761-( )	-**0*	-**1*	-**2*	-**3*	-**4*	-**5*	-**6*	-**7*	-**8*
KEYING PIN ORIENTATION	O	A	B	C	D	E	F	G	H

76761 - \* \* \* \*

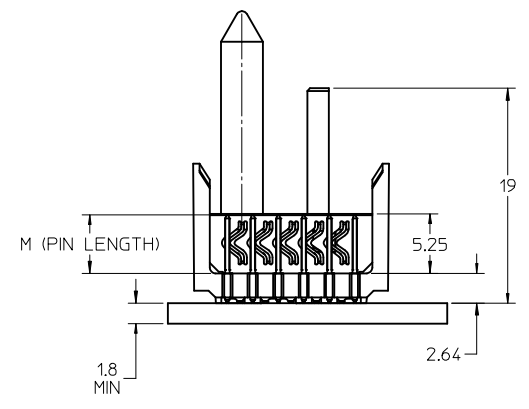
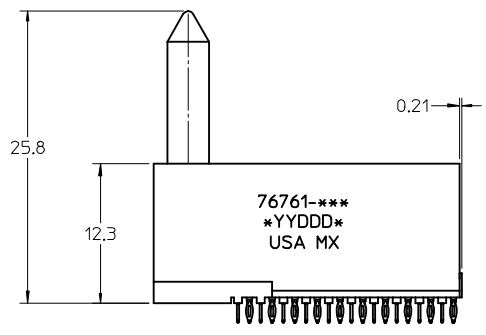
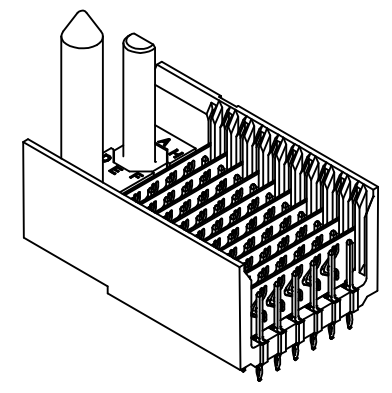
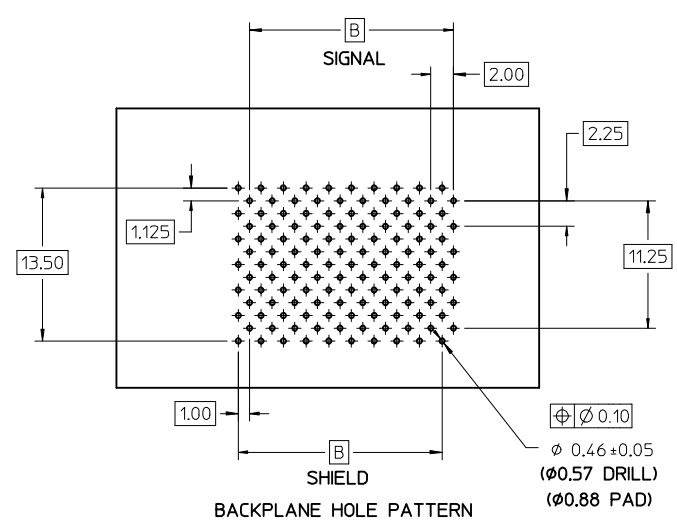
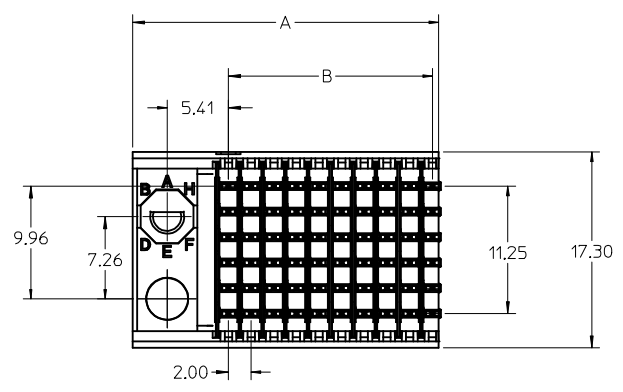
NUMBER OF COLUMNS/PLATING  
 10 = 10 COLUMN MATTE TIN (FORMERLY TIN/LEAD)  
 25 = 25 COLUMN MATTE TIN (FORMERLY TIN/LEAD)  
 60 = 10 COLUMN MATTE TIN (MAPS)  
 75 = 25 COLUMN MATTE TIN (MAPS)  
 90 = 10 COLUMN MATTE TIN  
 85 = 25 COLUMN MATTE TIN

CONTACT LOAD  
 (PIN LENGTH)  
 1 & 6 = 4.75  
 2 & 5 = 6.25  
 3 & 4 = 4.25  
 8 & 9 = 5.15

PART NUMBER	COLUMN	NUMBER OF SIGNAL PIN	NUMBER OF SHIELD	A	B	M	GOLD THICKNESS MICROMETER	TIN THICKNESS MICROMETER
<b>76761-60*1</b>	10	60	10	27.00	18.00	4.75	0.25 MAPS	0.76-152
76761-*0*1							0.76	
76761-*0*6							1.27	
<b>76761-75*1</b>	25	150	25	57.00	48.00	6.25	0.25 MAPS	
76761-*5*1							0.76	
76761-*5*6							1.27	
<b>76761-60*2</b>	10	60	10	27.00	18.00	4.25	0.25 MAPS	
76761-*0*2							0.76	
76761-*0*7							1.27	
<b>76761-75*2</b>	25	150	25	57.00	48.00	6.25	0.25 MAPS	
76761-*5*2							0.76	
76761-*5*7							1.27	
<b>76761-60*3</b>	10	60	10	27.00	18.00	5.15	0.25 MAPS	
76761-*0*3							0.76	
76761-*0*8							1.27	
<b>76761-75*3</b>	25	150	25	57.00	48.00	6.25	0.25 MAPS	
76761-*5*3							0.76	
76761-*5*8							1.27	
<b>76761-60*4</b>	10	60	10	27.00	18.00	4.75	0.25 MAPS	
76761-*0*4							0.76	
76761-*0*9							1.27	
<b>76761-75*4</b>	25	150	25	57.00	48.00	6.25	0.25 MAPS	
76761-*5*4							0.76	
76761-*5*9							1.27	



<b>SEE SHEET 1</b> EC NO: UCP2013-0687 DRAWINGS: 2012/08/22 CHKD: MWLF 2012/11/26 APPR: SMILLER 2012/12/14 REV:	QUALITY SYMBOLS	GENERAL TOLERANCES (UNLESS SPECIFIED)	DIMENSION STYLE	SCALE	DESIGN UNITS	THIRD ANGLE PROJECTION
	▽=0	mm INCH	MM ONLY	1:1	METRIC	
	▽=0	4 PLACES ± --- ± ---	DRAWN BY DATE	TITLE		
	▽=0	3 PLACES ± --- ± ---	JJONIAK 2008/07/09	VHDM H-SERIES 6 ROW BACKPLANE SIGNAL END		
	2 PLACES ± 0.15 ± ---	CHECKED BY DATE	molex			
	1 PLACE ± 0.25 ± ---	JJONIAK 2008/07/09	SD-76761-001			
	0 PLACE ± --- ± ---	APPROVED BY DATE	SHEET NO. 2 OF 2			
		SMILLER 2010/03/09	INCORPORATED AND SHOULD NOT BE USED WITHOUT WRITTEN PERMISSION			
		MATERIAL NO.	DOCUMENT NO.			
		SEE TABLE				
		ANGULAR ±1/2°				
		DRAFT WHERE APPLICABLE MUST REMAIN WITHIN DIMENSIONS				



**NOTES:**

1. MATERIALS:  
HOUSING - LIQUID CRYSTAL POLYMER (LCP)  
GLASS FILLED, UL94V-0, BLACK  
SIGNAL PIN AND SHIELD - COPPER ALLOY
2. FINISHES:  
CONTACT AREA - SELECTIVE GOLD (Au)  
PCB TAILS - SELECTIVE MATTE TIN (Sn)
3. THIS PART CONFORMS TO MOLEX PRODUCT SPECIFICATION PS-74031-999.
4. FOR MIXED CONTACT LENGTH CONTACT MOLEX FOR AVAILABILITY.
5. FOR SPECIFIC MATERIAL NUMBERS AND MATING INFORMATION REFER TO SHEET 2.
6. PACKAGE PER PK-74058-003.
7. ASSEMBLY WILL BE MARKED WITH P/N AND DATE CODE WITH LASER MARK ON SIDE OF HOUSING
8. MAPS (MOLEX ADVANCED PLATING SYSTEM).

THE PRIMARY CARTON WITH A LABEL STATING "ELV AND RoHS COMPLAINT" IS LEAD FREE. CARTONS WITHOUT THIS LABEL MAY CONTAIN LEAD.

<b>LEAD FREE CONVERSION</b> EC NO: UCP2013-0687 DRAWINGS: 2012/08/22 CHKD:HWLF 2012/11/26 APPR:SMILLER 2012/12/14 REV:	QUALITY SYMBOLS	GENERAL TOLERANCES (UNLESS SPECIFIED)	DIMENSION STYLE <b>MM ONLY</b>	SCALE <b>2:1</b>	DESIGN UNITS <b>METRIC</b>	THIRD ANGLE PROJECTION
	▽=0	mm INCH	DRAWN BY DATE JJONIAK 2008/07/09	TITLE	<b>VHDM H-SERIES 6 ROW BACKPLANE SIGNAL END</b> 	SHEET NO. 1 OF 2
	▽=0	4 PLACES ± --- ± --- 3 PLACES ± --- ± --- 2 PLACES ± 0.15 ± --- 1 PLACE ± 0.25 ± --- 0 PLACE ± --- ± ---	CHECKED BY DATE JJONIAK 2008/07/09	APPROVED BY DATE SMILLER 2010/03/09		
	▽=0	ANGULAR ±1/2°	MATERIAL NO.	DOCUMENT NO.	<b>SEE SHT.2</b> <b>SD-76761-001</b>	
	□	DRAFT WHERE APPLICABLE MUST REMAIN WITHIN DIMENSIONS	SIZE C	THIS DRAWING CONTAINS INFORMATION THAT IS PROPRIETARY TO MOLEX INCORPORATED AND SHOULD NOT BE USED WITHOUT WRITTEN PERMISSION		

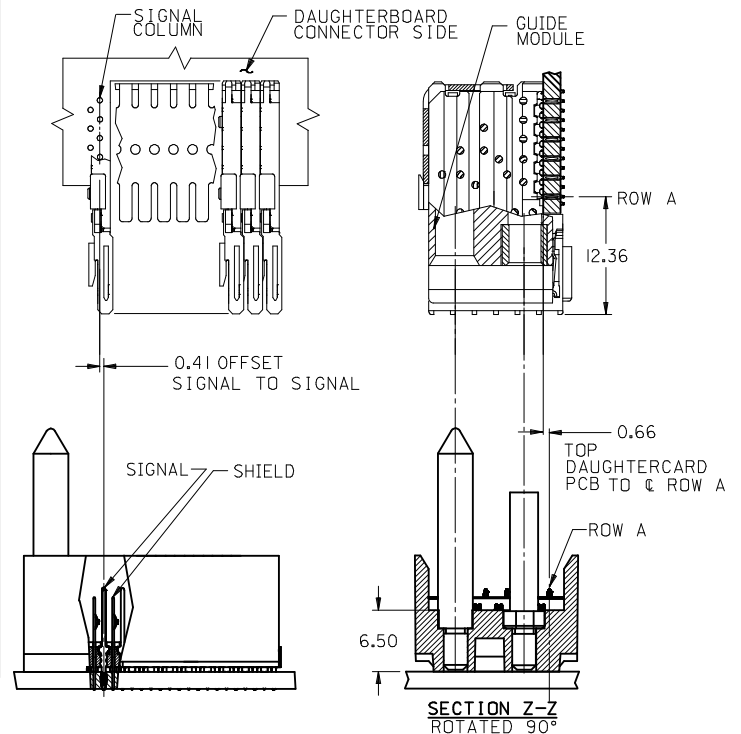
M/N 76761-( )	-**0*	-**1*	-**2*	-**3*	-**4*	-**5*	-**6*	-**7*	-**8*
KEYING PIN ORIENTATION	O	A	B	C	D	E	F	G	H

76761 - \* \* \* \*

NUMBER OF COLUMNS/PLATING  
 10 = 10 COLUMN MATTE TIN (FORMERLY TIN/LEAD)  
 25 = 25 COLUMN MATTE TIN (FORMERLY TIN/LEAD)  
 60 = 10 COLUMN MATTE TIN (MAPS)  
 75 = 25 COLUMN MATTE TIN (MAPS)  
 90 = 10 COLUMN MATTE TIN  
 85 = 25 COLUMN MATTE TIN

CONTACT LOAD  
 (PIN LENGTH)  
 1 & 6 = 4.75  
 2 & 5 = 6.25  
 3 & 4 = 4.25  
 8 & 9 = 5.15

PART NUMBER	COLUMN	NUMBER OF SIGNAL PIN	NUMBER OF SHIELD	A	B	M	GOLD THICKNESS MICROMETER	TIN THICKNESS MICROMETER
<b>76761-60*1</b>	10	60	10	27.00	18.00	4.75	0.25 MAPS	0.76-152
76761-*0*1							0.76	
76761-*0*6							1.27	
<b>76761-75*1</b>	25	150	25	57.00	48.00	6.25	0.25 MAPS	
76761-*5*1							0.76	
76761-*5*6							1.27	
<b>76761-60*2</b>	10	60	10	27.00	18.00	4.25	0.25 MAPS	
76761-*0*2							0.76	
76761-*0*7							1.27	
<b>76761-75*2</b>	25	150	25	57.00	48.00	6.25	0.25 MAPS	
76761-*5*2							0.76	
76761-*5*7							1.27	
<b>76761-60*3</b>	10	60	10	27.00	18.00	5.15	0.25 MAPS	
76761-*0*3							0.76	
76761-*0*8							1.27	
<b>76761-75*3</b>	25	150	25	57.00	48.00	6.25	0.25 MAPS	
76761-*5*3							0.76	
76761-*5*8							1.27	
<b>76761-60*4</b>	10	60	10	27.00	18.00	4.75	0.25 MAPS	
76761-*0*4							0.76	
76761-*0*9							1.27	
<b>76761-75*4</b>	25	150	25	57.00	48.00	6.25	0.25 MAPS	
76761-*5*4							0.76	
76761-*5*9							1.27	



<b>SEE SHEET 1</b> EC NO: UCP2013-0687 DRAWINGS 2012/08/22 CHKD:WOLFE 2012/11/26 APPR:SMILLER 2012/12/14 REV DESCRIPTION	QUALITY SYMBOLS	GENERAL TOLERANCES (UNLESS SPECIFIED)	DIMENSION STYLE <b>MM ONLY</b>	SCALE <b>1:1</b>	DESIGN UNITS <b>METRIC</b>	THIRD ANGLE PROJECTION
	▽=0	mm INCH	DRAWN BY DATE JJONIAK 2008/07/09	TITLE <b>VHDM H-SERIES 6 ROW BACKPLANE SIGNAL END</b>		
	▽=0	4 PLACES ± --- ± ---	CHECKED BY DATE JJONIAK 2008/07/09	<b>molex</b> DOCUMENT NO. <b>SD-76761-001</b> SHEET NO. <b>2 OF 2</b>		
	▽=0	3 PLACES ± 0.15 ± ---	APPROVED BY DATE SMILLER 2010/03/09			
	▽=0	2 PLACES ± 0.25 ± ---	MATERIAL NO.	SIZE <b>C</b> THIS DRAWING CONTAINS INFORMATION THAT IS PROPRIETARY TO MOLEX INCORPORATED AND SHOULD NOT BE USED WITHOUT WRITTEN PERMISSION		
▽=0	1 PLACE ± --- ± ---	ANGULAR ±1/2°				