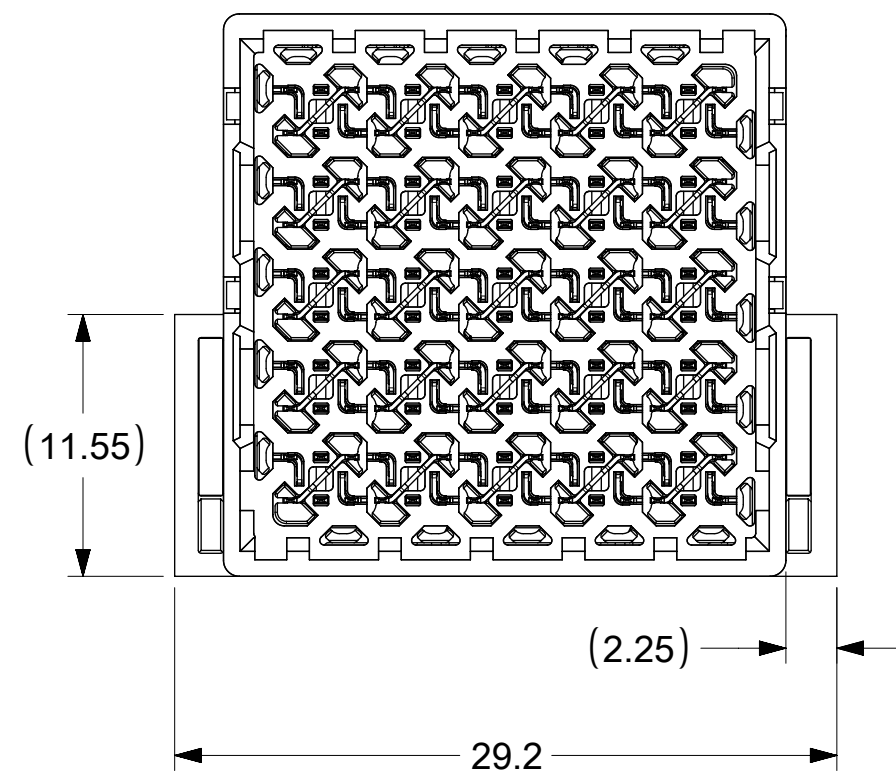
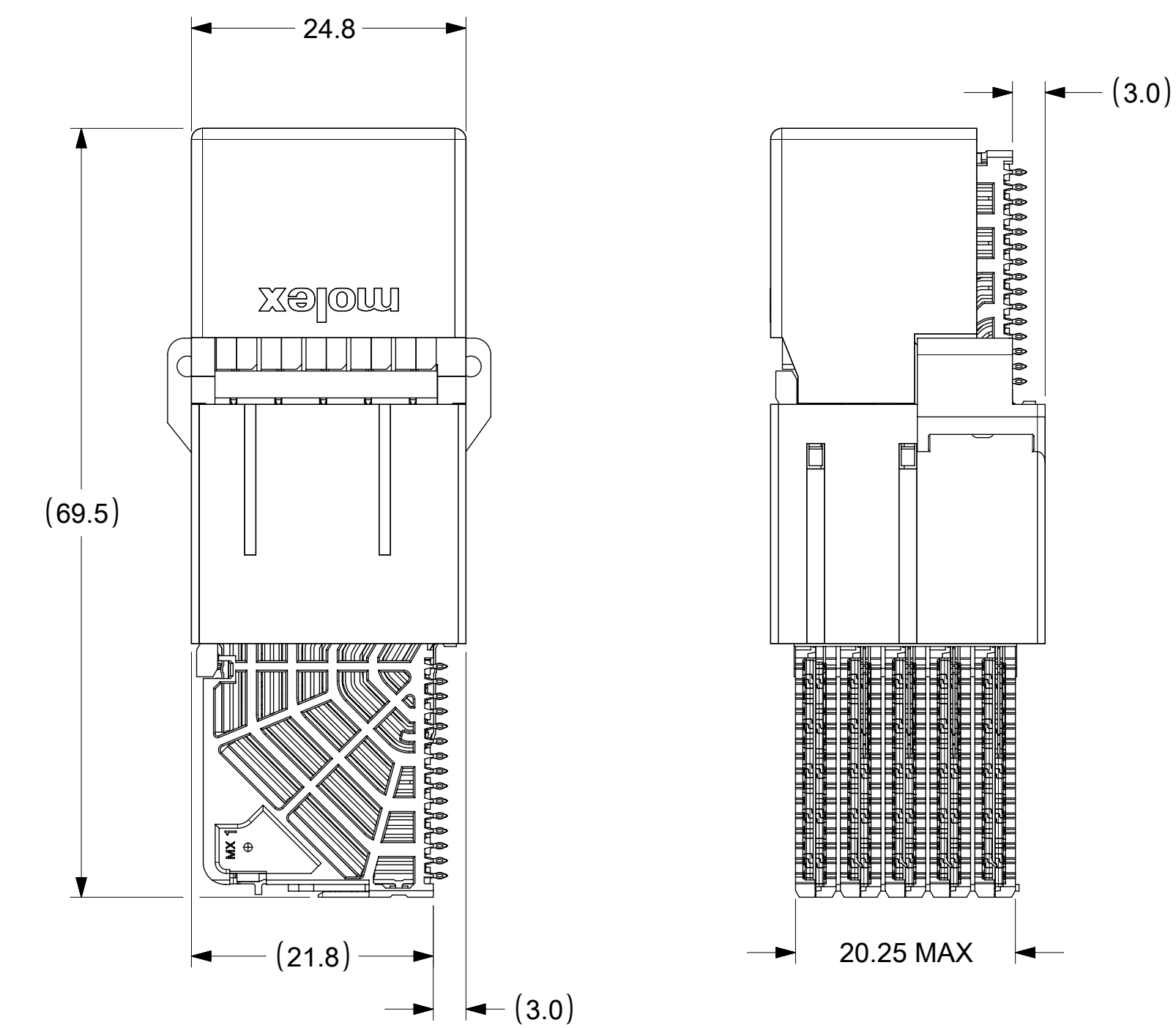


OD-RAM HOLE PATTERN  
(CONNECTOR SIDE)

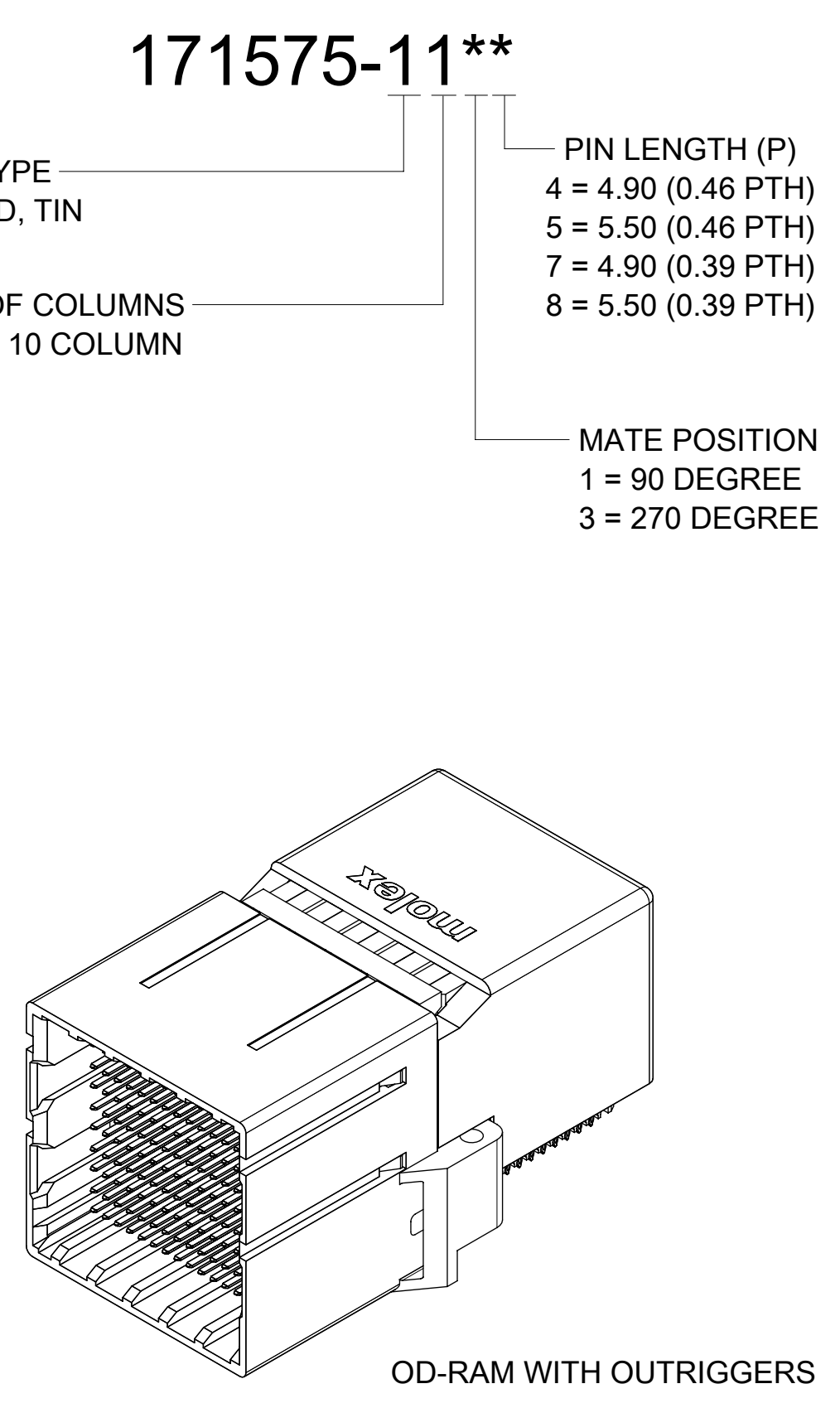


THIS DRAWING CONTAINS INFORMATION THAT IS PROPRIETARY TO MOLEX ELECTRONIC TECHNOLOGIES, LLC AND SHOULD NOT BE USED WITHOUT WRITTEN PERMISSION																			
DIMENSION UNITS		SCALE		CURRENT REV DESC: MIGRATED TO NX															
MM		NTS		<p>IMPACT ORTHOGONAL DIRECT 5 PAIR RAM 90 &amp; 270 ASSY UNGUIDED SALES DRAWING</p> <p>PRODUCT CUSTOMER DRAWING</p> <table border="1"> <tr> <td colspan="2">DOCUMENT NUMBER</td> <td>DOC TYPE</td> <td>DOC PART</td> <td>REVISION</td> </tr> <tr> <td colspan="2">SD-171575-0001</td> <td>PSD</td> <td>001</td> <td>B3</td> </tr> </table>						DOCUMENT NUMBER		DOC TYPE	DOC PART	REVISION	SD-171575-0001		PSD	001	B3
DOCUMENT NUMBER		DOC TYPE	DOC PART							REVISION									
SD-171575-0001		PSD	001							B3									
GENERAL TOLERANCES (UNLESS SPECIFIED)																			
ANGULAR TOL ± 0.5°																			
4 PLACES ±																			
3 PLACES ±																			
2 PLACES ± 0.13																			
1 PLACE ± 0.25																			
0 PLACES ±																			
DRAFT WHERE APPLICABLE MUST REMAIN WITHIN DIMENSIONS		THIRD ANGLE PROJECTION		DRAWING		SERIES		MATERIAL NUMBER											
				C-SIZE		171575		SEE CHART											
DOCUMENT STATUS		RELEASE DATE		CUSTOMER		SHEET NUMBER													
P1		2022/05/13 03:05:12		GENERAL MARKET		1 OF 4													



**MATED DIMENSIONS**  
(POSITION 90° SHOWN)

- NOTES:
- MATERIALS: HOUSING - LIQUID CRYSTAL POLYMER (LCP)  
GLASS-FILLED, UL94V-0  
TERMINALS - HIGH PERFORMANCE COPPER ALLOY
  - FINISH: 30μ MIN GOLD IN CONTACT AREA.  
SELECTIVE TIN ON PCB TAILS.  
NICKEL OVERALL.
  - REFER TO MOLEX PRODUCT SPECIFICATION PS-76060-999 FOR PERFORMANCE SPECIFICATIONS AND ADDITIONAL PCB INFORMATION.
  - THIS PART CONFORMS TO CLASS B REQUIREMENTS OF COSMETIC SPEC PS-45499-002.
  - PACKAGE PER: PK-70873-8022.
  - SEE SHEET 3 AND 4 FOR ORTHOGONAL PIN MAPPING.
  - REFER TO MOLEX SALES DRAWING SD-76990-001 FOR THE MATING RECEPTACLES.
  - REFER TO MOLEX ROUTING GUIDE AS-76850-990 FOR ADDITIONAL PCB LAYOUT AND ROUTING RECOMMENDATIONS.
  - CONNECTORS ARE SUPPLIED WITH TWO 2-32 SCREWS P/N 73726-0000. (9.50mm±0.38 THREADABLE SCREW LENGTH). THE MAXIMUM BOARD THICKNESS IS 4.4mm.
  - THESE DIMENSIONS REPRESENT THE AREA NEEDED TO ACCOMODATE CONNECTOR INSERTION AND REPAIR ON THE PC BOARD. THIS IS REFERRED TO AS THE "CONNECTOR KEEP OUT ZONE" AND DOES NOT REPRESENT THE ACTUAL PERIMETER OF THE CONNECTOR.
  - MARKING: LOCATED APPROXIMATELY AS SHOWN, ON THE BOTTOM OR TOP OF HOUSING. PART NUMBER AND DATE CODE.

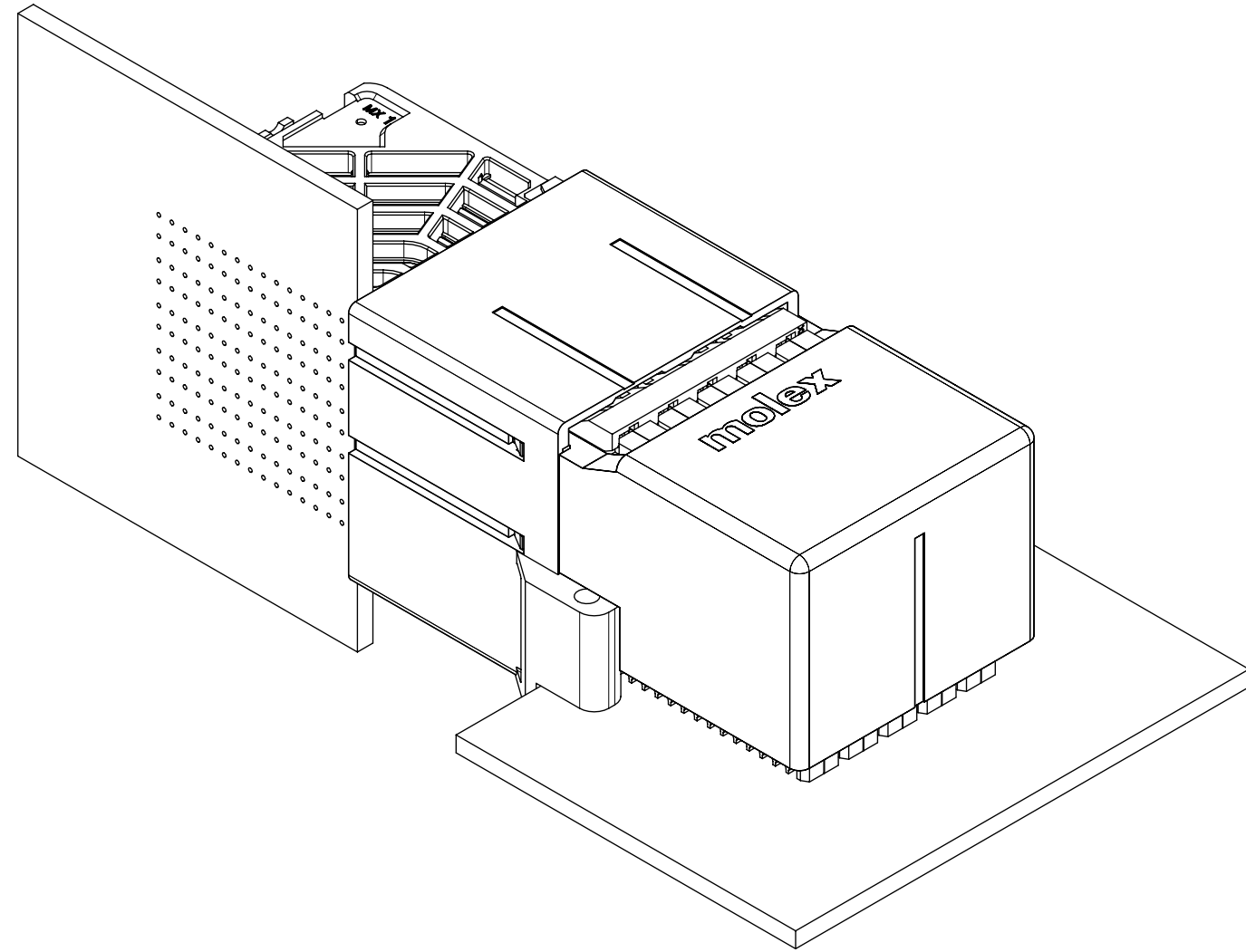


THIS DRAWING CONTAINS INFORMATION THAT IS PROPRIETARY TO MOLEX ELECTRONIC TECHNOLOGIES, LLC AND SHOULD NOT BE USED WITHOUT WRITTEN PERMISSION									
DIMENSION UNITS		SCALE		CURRENT REV DESC: MIGRATED TO NX				<b>molex</b>	
MM	NTS								
GENERAL TOLERANCES (UNLESS SPECIFIED)				EC NO: 705090		2018/09/18		IMPACT ORTHOGONAL DIRECT 5 PAIR RAM 90 & 270 ASSY UNGUIDED SALES DRAWING	
ANGULAR TOL ± 0.5°				DRWN: TMARRI		2022/02/17			
4 PLACES ±				CHK'D: VINODM3		2022/05/13		PRODUCT CUSTOMER DRAWING	
3 PLACES ±				APPR: LZENG					
2 PLACES ± 0.13				INITIAL REVISION:				DOCUMENT NUMBER	
1 PLACE ± 0.25				DRWN: JMENDOZA		2012/04/13			
0 PLACES ±				APPR: TELO		2013/12/26		SD-171575-0001	
DRAFT WHERE APPLICABLE MUST REMAIN WITHIN DIMENSIONS		THIRD ANGLE PROJECTION		DRAWING		SERIES		MATERIAL NUMBER	
				C-SIZE		171575		SEE CHART	
								CUSTOMER	
								GENERAL MARKET	
								SHEET NUMBER	
								2 OF 4	

DOCUMENT STATUS	P1	RELEASE DATE	2022/05/13	03:05:12
-----------------	----	--------------	------------	----------

# ORTHO POSITION 90°

OD-RAM PIN A1 MAPS  
TO RAF PIN Q10




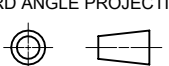
## ORTHO PIN MAPPING

OPTION 90 (NEAR SIDE - FAR SIDE)

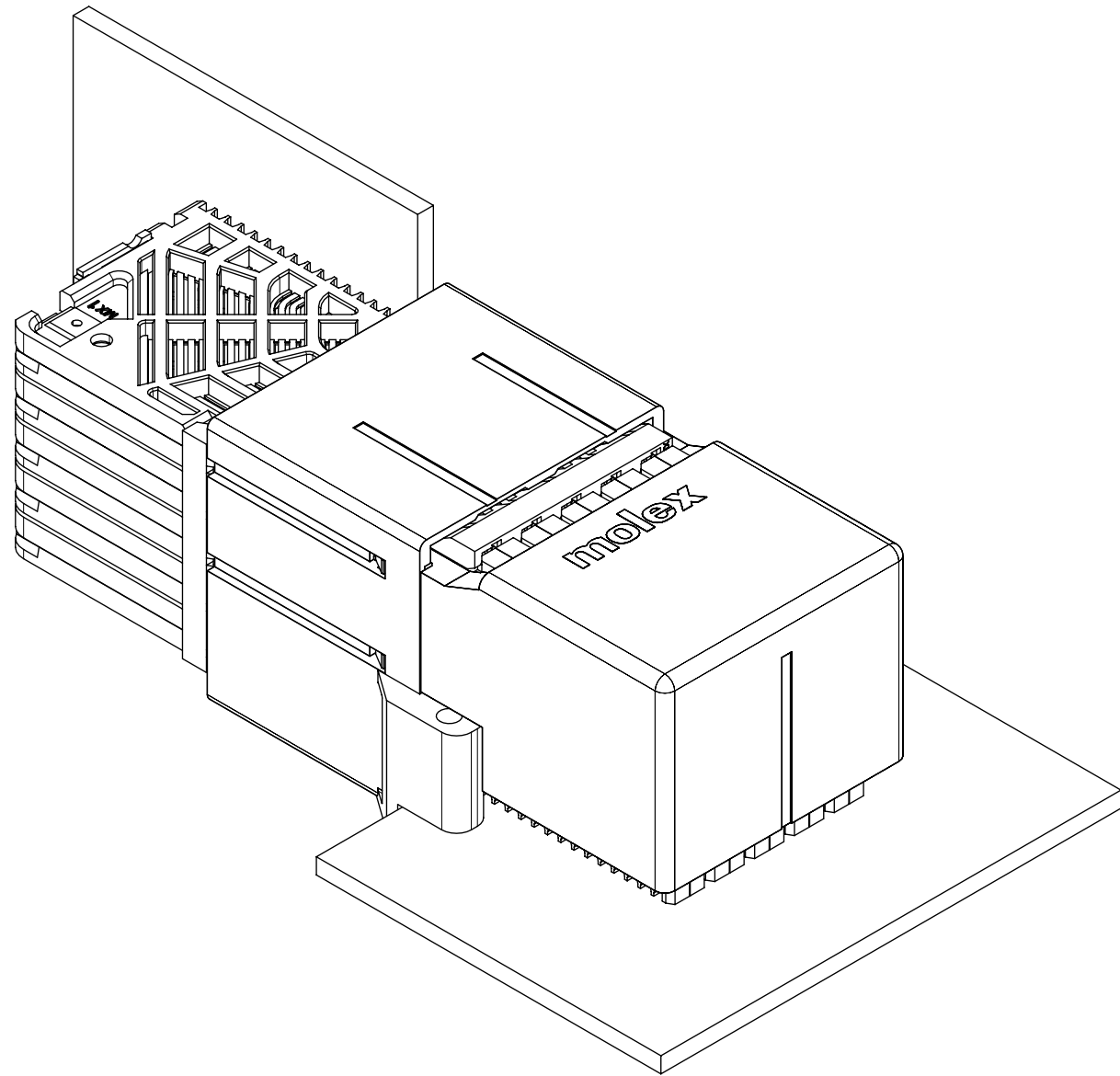
A1-Q10	A2-P10	A3-M10	A4-L10	A5-J10	A6-H10	A7-F10	A8-E10	A9-C10	A10-B10
B1-Q9	B2-N10	B3-M9	B4-K10	B5-J9	B6-G10	B7-F9	B8-D10	B9-C9	B10-A10
C1-P9	C2-N9	C3-L9	C4-K9	C5-H9	C6-G9	C7-E9	C8-D9	C9-B9	C10-A9
D1-Q8	D2-P8	D3-M8	D4-L8	D5-J8	D6-H8	D7-F8	D8-E8	D9-C8	D10-B8
E1-Q7	E2-N8	E3-M7	E4-K8	E5-J7	E6-G8	E7-F7	E8-D8	E9-C7	E10-A8
F1-P7	F2-N7	F3-L7	F4-K7	F5-H7	F6-G7	F7-E7	F8-D7	F9-B7	F10-A7
G1-Q6	G2-P6	G3-M6	G4-L6	G5-J6	G6-H6	G7-F6	G8-E6	G9-C6	G10-B6
H1-Q5	H2-N6	H3-M5	H4-K6	H5-J5	H6-G6	H7-F5	H8-D6	H9-C5	H10-A6
J1-P5	J2-N5	J3-L5	J4-K5	J5-H5	J6-G5	J7-E5	J8-D5	J9-B5	J10-A5
K1-Q4	K2-P4	K3-M4	K4-L4	K5-J4	K6-H4	K7-F4	K8-E4	K9-C4	K10-B4
L1-Q3	L2-N4	L3-M3	L4-K4	L5-J3	L6-G4	L7-F3	L8-D4	L9-C3	L10-A4
M1-P3	M2-N3	M3-L3	M4-K3	M5-H3	M6-G3	M7-E3	M8-D3	M9-B3	M10-A3
N1-Q2	N2-P2	N3-M2	N4-L2	N5-J2	N6-H2	N7-F2	N8-E2	N9-C2	N10-B2
P1-Q1	P2-N2	P3-M1	P4-K2	P5-J1	P6-G2	P7-F1	P8-D2	P9-C1	P10-A2
Q1-P1	Q2-N1	Q3-L1	Q4-K1	Q5-H1	Q6-G1	Q7-E1	Q8-D1	Q9-B1	Q10-A1

NOTE: PINOUTS SHOWN IN BALLOONS ARE GROUNDS.  
GROUND PATHS ARE NOT DISCRETE CIRCUITS.

MATERIAL NUMBER	# OF COLUMNS	# OF DIFF PAIR	MATE POSITION	DIM P	PTH Ø
171575-1114	10	50	90	4.90	0.46±0.05
171575-1115	10	50	90	5.50	0.46±0.05
171575-1117	10	50	90	4.90	0.39±0.05
171575-1118	10	50	90	5.50	0.39±0.05

THIS DRAWING CONTAINS INFORMATION THAT IS PROPRIETARY TO MOLEX ELECTRONIC TECHNOLOGIES, LLC AND SHOULD NOT BE USED WITHOUT WRITTEN PERMISSION									
DIMENSION UNITS		SCALE		CURRENT REV DESC: MIGRATED TO NX					
MM		NTS							
GENERAL TOLERANCES (UNLESS SPECIFIED)				EC NO: 705090		2018/09/18		IMPACT ORTHOGONAL DIRECT 5 PAIR RAM 90 & 270 ASSY UNGUIDED SALES DRAWING  PRODUCT CUSTOMER DRAWING	
ANGULAR TOL ± 0.5°				DRWN: TMARRI		2022/02/17			
4 PLACES ±				CHK'D: VINODM3		2022/05/13			
3 PLACES ±				APPR: LZENG				DOCUMENT NUMBER	
2 PLACES ± 0.13				INITIAL REVISION:		2012/04/13		SD-171575-0001	
1 PLACE ± 0.25				DRWN: JMENDOZA		2013/12/26		DOC TYPE   DOC PART   REVISION	
0 PLACES ±				APPR: TELO				PSD   001   B3	
DRAFT WHERE APPLICABLE MUST REMAIN WITHIN DIMENSIONS		THIRD ANGLE PROJECTION		DRAWING		SERIES		MATERIAL NUMBER	
				C-SIZE		171575		SEE CHART	
								CUSTOMER	
								GENERAL MARKET	
								SHEET NUMBER	
								3 OF 4	

**ORTHO POSITION 270°**  
 OD-RAM PIN A1 MAPS  
 TO RAF PIN A1



**ORTHO PIN MAPPING**

OPTION 270 (NEARSIDE - FAR SIDE)

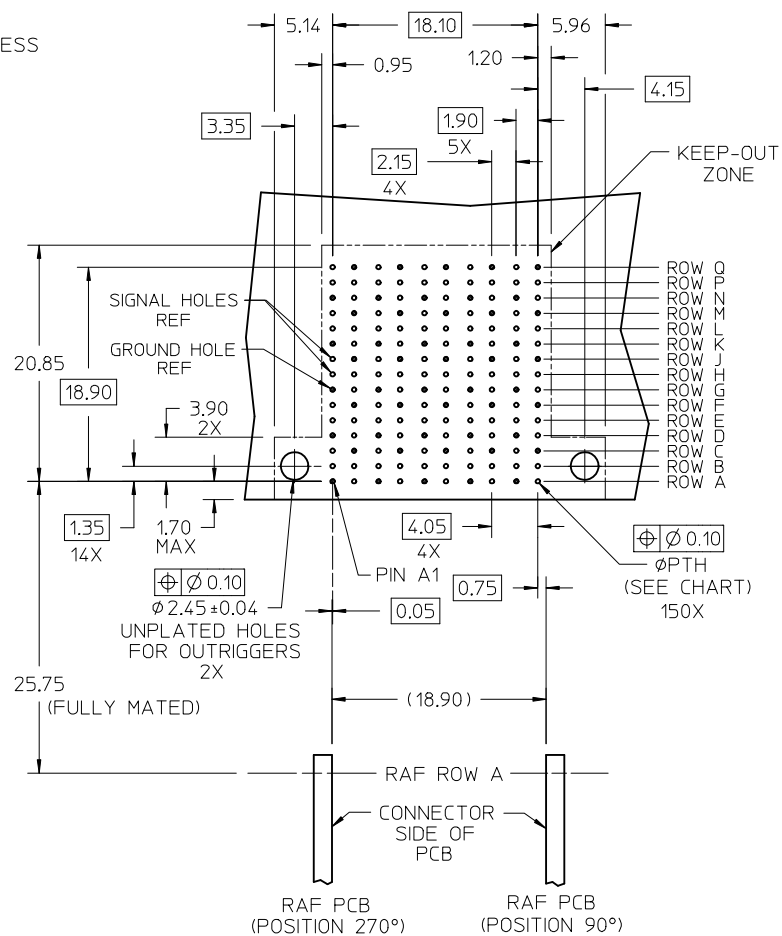
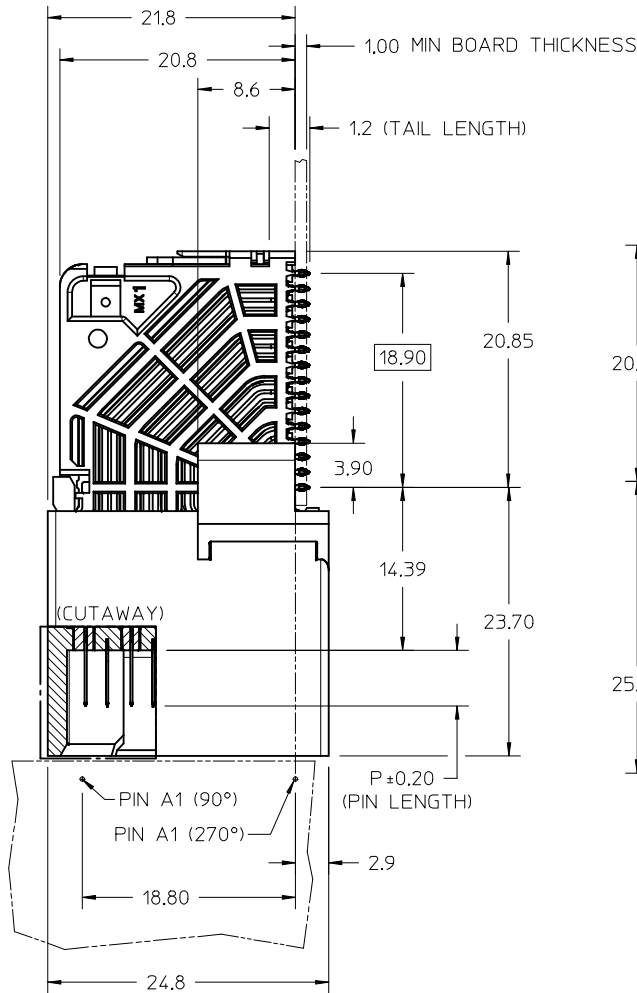
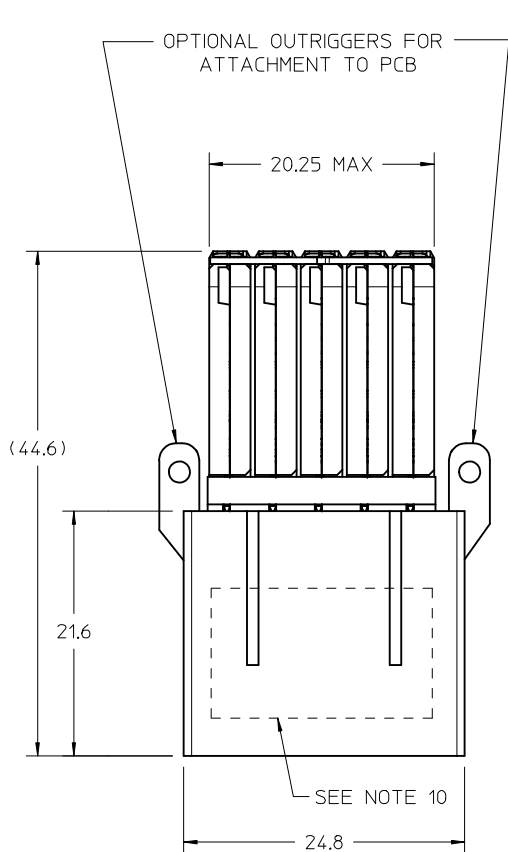
A1-A1	A2-B1	A3-D1	A4-E1	A5-G1	A6-H1	A7-K1	A8-L1	A9-N1	A10-P1
B1-A2	B2-C1	B3-D2	B4-F1	B5-G2	B6-J1	B7-K2	B8-M1	B9-N2	B10-Q1
C1-B2	C2-C2	C3-E2	C4-F2	C5-H2	C6-J2	C7-L2	C8-M2	C9-P2	C10-Q2
D1-A3	D2-B3	D3-D3	D4-E3	D5-G3	D6-H3	D7-K3	D8-L3	D9-N3	D10-P3
E1-A4	E2-C3	E3-D4	E4-F3	E5-G4	E6-J3	E7-K4	E8-M3	E9-N4	E10-Q3
F1-B4	F2-C4	F3-E4	F4-F4	F5-H4	F6-J4	F7-L4	F8-M4	F9-P4	F10-Q4
G1-A5	G2-B5	G3-D5	G4-E5	G5-G5	G6-H5	G7-K5	G8-L5	G9-N5	G10-P5
H1-A6	H2-C5	H3-D6	H4-F5	H5-G6	H6-J5	H7-K6	H8-M5	H9-N6	H10-Q5
J1-B6	J2-C6	J3-E6	J4-F6	J5-H6	J6-J6	J7-L6	J8-M6	J9-P6	J10-Q6
K1-A7	K2-B7	K3-D7	K4-E7	K5-G7	K6-H7	K7-K7	K8-L7	K9-N7	K10-P7
L1-A8	L2-C7	L3-D8	L4-F7	L5-G8	L6-J7	L7-K8	L8-M7	L9-N8	L10-Q7
M1-B8	M2-C8	M3-E8	M4-F8	M5-H8	M6-J8	M7-L8	M8-M8	M9-P8	M10-Q8
N1-A9	N2-B9	N3-D9	N4-E9	N5-G9	N6-H9	N7-K9	N8-L9	N9-N9	N10-P9
P1-A10	P2-C9	P3-D10	P4-F9	P5-G10	P6-J9	P7-K10	P8-M9	P9-N10	P10-Q9
Q1-B10	Q2-C10	Q3-E10	Q4-F10	Q5-H10	Q6-J10	Q7-L10	Q8-M10	Q9-P10	Q10-Q10

NOTE: PINOUTS SHOWN IN BALLOONS ARE GROUNDS.  
 GROUND PATHS ARE NOT DISCRETE CIRCUITS.

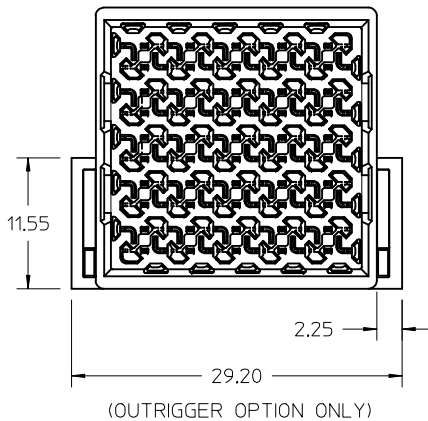
MATERIAL NUMBER	# OF COLUMNS	# OF DIFF PAIR	MATE POSITION	DIM P	PTH Ø
171575-1134	10	50	270	4.90	0.46±0.05
171575-1135	10	50	270	5.50	0.46±0.05
171575-1137	10	50	270	4.90	0.39±0.05
171575-1138	10	50	270	5.50	0.39±0.05

THIS DRAWING CONTAINS INFORMATION THAT IS PROPRIETARY TO MOLEX ELECTRONIC TECHNOLOGIES, LLC AND SHOULD NOT BE USED WITHOUT WRITTEN PERMISSION

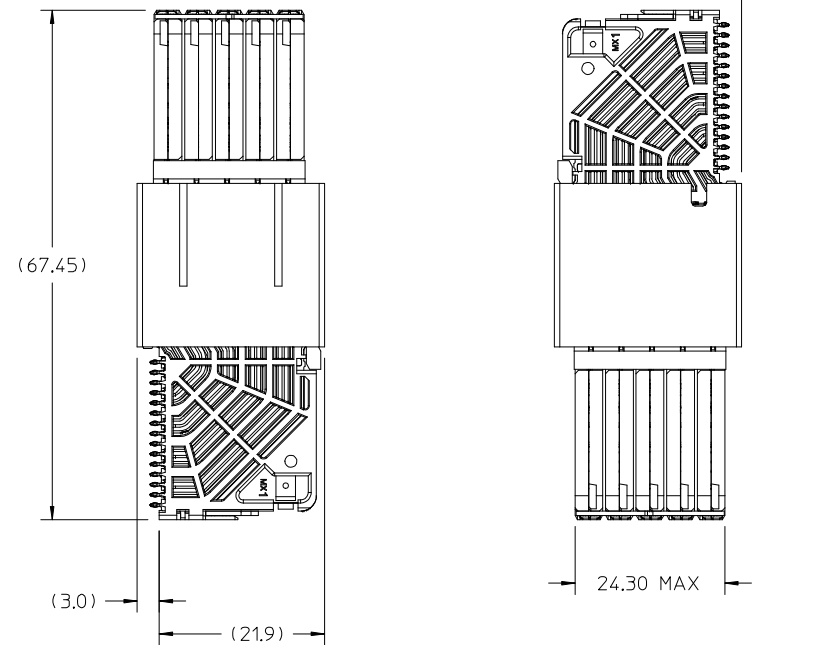
DIMENSION UNITS	SCALE	CURRENT REV DESC: MIGRATED TO NX		<p style="text-align: center;">IMPACT ORTHOGONAL DIRECT 5 PAIR RAM 90 &amp; 270 ASSY UNGUIDED SALES DRAWING</p>				
MM	NTS							
GENERAL TOLERANCES (UNLESS SPECIFIED)				EC NO: 705090 DRWN: TMARRI 2018/09/18 CHK'D: VINODM3 2022/02/17 APPR: LZENG 2022/05/13				
ANGULAR TOL	± 0.5°	INITIAL REVISION:		PRODUCT CUSTOMER DRAWING				
4 PLACES	±	DRWN: JMENDOZA 2012/04/13		DOCUMENT NUMBER		DOC TYPE	DOC PART	REVISION
3 PLACES	±	APPR: TELO 2013/12/26		SD-171575-0001		PSD	001	B3
2 PLACES	± 0.13			MATERIAL NUMBER		CUSTOMER		SHEET NUMBER
1 PLACE	± 0.25			SEE CHART		GENERAL MARKET		4 OF 4
0 PLACES	±							
DRAFT WHERE APPLICABLE MUST REMAIN WITHIN DIMENSIONS		THIRD ANGLE PROJECTION		DRAWING	SERIES			
				C-SIZE	171575			



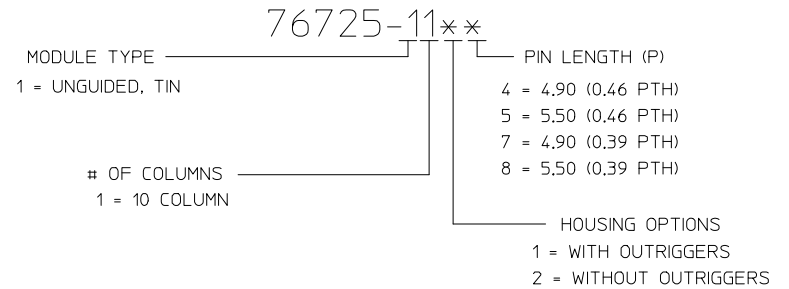
OD-RAM HOLE PATTERN  
(CONNECTOR SIDE)



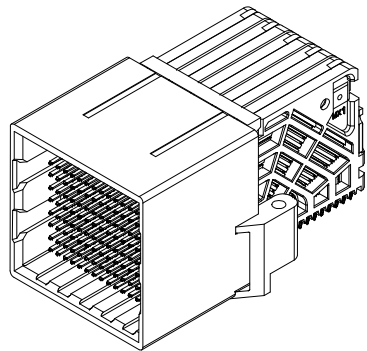
UPDATE TP. LASER MARK EC NO: UCP2016-3973 DRWNG:VARVARA 2015/08/24 CHKD:TELO 2016/02/22 APPR:TELO 2016/04/20	QUALITY SYMBOLS ▽=0 ▽=0	GENERAL TOLERANCES (UNLESS SPECIFIED)		DIMENSION STYLE <b>MM ONLY</b>	SCALE <b>3:1</b>	DESIGN UNITS <b>METRIC</b>	THIRD ANGLE PROJECTION	
		4 PLACES ± --- ± ---	3 PLACES ± --- ± ---	DRAWN BY JMENDOZA	DATE 2011/04/11	TITLE <b>IMPACT ORTHOGONAL DIRECT 5 PAIR RAM ASSEMBLY UNGUIDED SALES DRAWING</b>		
		2 PLACES ± 0.13 ± ---	1 PLACE ± 0.25 ± ---	CHECKED BY JB INGHAM	DATE 2011/04/12	<b>MOLEX INCORPORATED</b>		
		ANGULAR ± 1/2°		APPROVED BY JB INGHAM	DATE 2011/04/21	MATERIAL NO. <b>SEE CHART</b>	DOCUMENT NO. <b>SD-76725-001</b>	SHEET NO. <b>1 OF 4</b>
DRAFT WHERE APPLICABLE MUST REMAIN WITHIN DIMENSIONS		THIS DRAWING CONTAINS INFORMATION THAT IS PROPRIETARY TO MOLEX INCORPORATED AND SHOULD NOT BE USED WITHOUT WRITTEN PERMISSION						



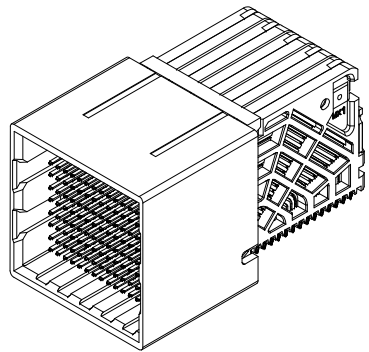
MATERIAL NUMBER	# OF COLUMNS	# OF DIFF PAIR	DIM P	PTH $\phi$
76725-11*4	10	50	4.90	0.46±0.05
76725-11*5	10	50	5.50	0.46±0.05
76725-11*7	10	50	4.90	0.39±0.05
76725-11*8	10	50	5.50	0.39±0.05



**MATED DIMENSIONS**  
(POSITION 270° SHOWN, WITHOUT OUTRIGGERS)



OD-RAM WITH OUTRIGGERS



OD-RAM WITHOUT OUTRIGGERS

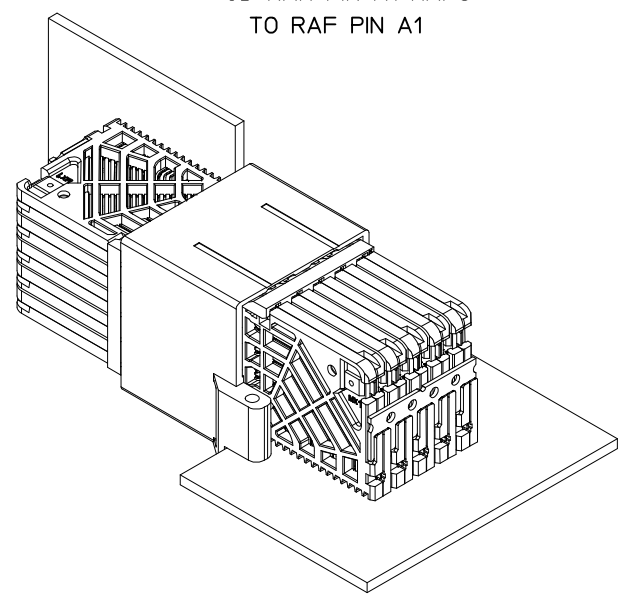
NOTES:

1. MATERIALS: HOUSING - LIQUID CRYSTAL POLYMER (LCP)  
GLASS-FILLED, UL94V-0  
TERMINALS - HIGH PERFORMANCE COPPER ALLOY
2. FINISH: 30 $\mu$  MIN GOLD IN CONTACT AREA.  
SELECTIVE TIN ON PCB TAILS.  
NICKEL OVERALL.
3. REFER TO MOLEX PRODUCT SPECIFICATION PS-76060-999  
FOR PERFORMANCE SPECIFICATIONS AND ADDITIONAL PCB INFORMATION.
4. THIS PART CONFORMS TO CLASS B REQUIREMENTS OF  
COSMETIC SPEC PS-45499-002.
5. PACKAGE PER: PK-70873-8010.
6. SEE SHEET 3 AND 4 FOR ORTHOGONAL PIN MAPPING.
7. REFER TO MOLEX SALES DRAWING SD-76990-001 FOR THE MATING RECEPTACLES.
8. REFER TO MOLEX ROUTING GUIDE AS-76850-990 FOR ADDITIONAL PCB LAYOUT  
AND ROUTING RECOMMENDATIONS.
9. CONNECTORS WITH OUTRIGGERS ARE SUPPLIED WITH TWO 2-32 THREAD  
FORMING SCREWS.
10. MARKING: LOCATED APPROXIMATELY AS SHOWN, ON BOTTOM OR TOP OF THE  
HOUSING. PART NUMBER AND DATE CODE.

SEE SHEET 1 EC NO: UCP2016-3973 DRWING: VARYARA 2015/08/24 CHKD: TELO 2016/02/22 APPR: TELO 2016/04/20 REV: A2	QUALITY SYMBOLS ▽=0 ▽=0	GENERAL TOLERANCES (UNLESS SPECIFIED)		DIMENSION STYLE <b>MM ONLY</b>	SCALE <b>2:1</b>	DESIGN UNITS <b>METRIC</b>	THIRD ANGLE PROJECTION	
		mm      INCH	DRAWN BY JMENDOZA	DATE 2011/04/11	TITLE <b>IMPACT ORTHOGONAL DIRECT 5 PAIR RAM ASSEMBLY</b> <b>UNGUIDED SALES DRAWING</b>			
		4 PLACES ± --- ± --- 3 PLACES ± --- ± --- 2 PLACES ± 0.13 ± --- 1 PLACE ± 0.25 ± --- ANGULAR ± 1/2°	CHECKED BY JB INGHAM	DATE 2011/04/12	<b>MOLEX MOLEX INCORPORATED</b>			
		DRAFT WHERE APPLICABLE MUST REMAIN WITHIN DIMENSIONS	APPROVED BY JB INGHAM	DATE 2011/04/21	DOCUMENT NO. <b>SD-76725-001</b>		SHEET NO. <b>2 OF 4</b>	
THIS DRAWING CONTAINS INFORMATION THAT IS PROPRIETARY TO MOLEX INCORPORATED AND SHOULD NOT BE USED WITHOUT WRITTEN PERMISSION								

### ORTHO POSITION 270°

OD-RAM PIN A1 MAPS  
TO RAF PIN A1



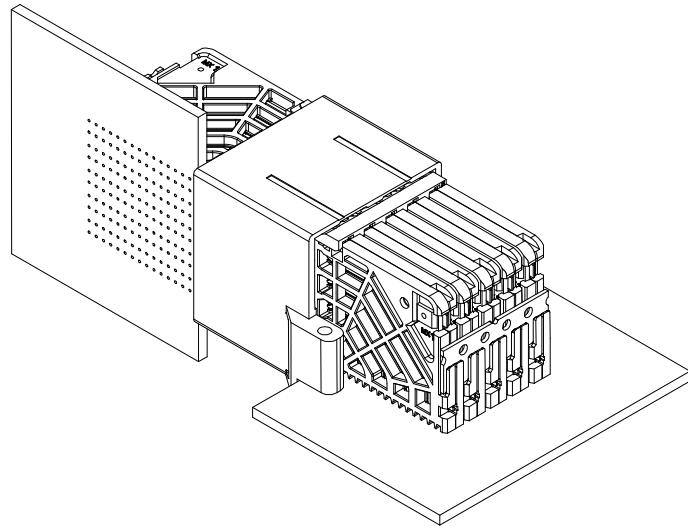
ORTHO PIN MAPPING									
OPTION 270 (NEAR SIDE - FARSIDE)									
(A1-A1)	A2-B1	(A3-D1)	A4-E1	(A5-G1)	A6-H1	(A7-K1)	A8-L1	(A9-N1)	A10-P1
B1-A2	B2-C1	B3-D2	B4-F1	B5-G2	B6-J1	B7-K2	B8-M1	B9-N2	B10-O1
C1-B2	(C2-C2)	C3-E2	(C4-F2)	C5-H2	(C6-J2)	C7-L2	(C8-M2)	C9-P2	(C10-Q2)
(D1-A3)	D2-B3	(D3-D3)	D4-E3	(D5-G3)	D6-H3	(D7-K3)	D8-L3	(D9-N3)	D10-P3
E1-A4	E2-C3	E3-D4	E4-F3	E5-G4	E6-J3	E7-K4	E8-M3	E9-N4	E10-Q3
F1-B4	(F2-C4)	F3-E4	(F4-F4)	F5-H4	(F6-J4)	F7-L4	(F8-M4)	F9-P4	(F10-Q4)
(G1-A5)	G2-B5	(G3-D5)	G4-E5	(G5-G5)	G6-H5	(G7-K5)	G8-L5	(G9-N5)	G10-P5
H1-A6	H2-C5	H3-D6	H4-F5	H5-G6	H6-J5	H7-K6	H8-M5	H9-N6	H10-O5
J1-B6	(J2-C6)	J3-E6	(J4-F6)	J5-H6	(J6-J6)	J7-L6	(J8-M6)	J9-P6	(J10-Q6)
(K1-A7)	K2-B7	(K3-D7)	K4-E7	(K5-G7)	K6-H7	(K7-K7)	K8-L7	(K9-N7)	K10-P7
L1-A8	L2-C7	L3-D8	L4-F7	L5-G8	L6-J7	L7-K8	L8-M7	L9-N8	L10-O7
M1-B8	(M2-C8)	M3-E8	(M4-F8)	M5-H8	(M6-J8)	M7-L8	(M8-M8)	M9-P8	(M10-Q8)
(N1-A9)	N2-B9	(N3-D9)	N4-E9	(N5-G9)	N6-H9	(N7-K9)	N8-L9	(N9-N9)	N10-P9
P1-A10	P2-C9	P3-D10	P4-F9	P5-G10	P6-J9	P7-K10	P8-M9	P9-N10	P10-Q9
Q1-B10	(Q2-C10)	Q3-E10	(Q4-F10)	Q5-H10	(Q6-J10)	Q7-L10	(Q8-M10)	Q9-P10	(Q10-Q10)

NOTE: PINOUTS SHOWN IN BALLOONS ARE GROUNDS.  
GROUND PATHS ARE NOT DISCRETE CIRCUITS.

SEE SHEET 1 EC NO: UCP2016-3973 DRWNG: VARVARA 2015/08/24 CHKD: TELO 2016/02/22 APPR: TELO 2016/04/20 REV:	QUALITY SYMBOLS ▽=0 ▽=0	GENERAL TOLERANCES (UNLESS SPECIFIED) <table border="1"> <tr> <th></th> <th>mm</th> <th>INCH</th> </tr> <tr> <td>4 PLACES</td> <td>± .005</td> <td>± .0005</td> </tr> <tr> <td>3 PLACES</td> <td>± .005</td> <td>± .0005</td> </tr> <tr> <td>2 PLACES</td> <td>± 0.13</td> <td>± .005</td> </tr> <tr> <td>1 PLACE</td> <td>± 0.25</td> <td>± .010</td> </tr> </table> ANGULAR ±1/2°		mm	INCH	4 PLACES	± .005	± .0005	3 PLACES	± .005	± .0005	2 PLACES	± 0.13	± .005	1 PLACE	± 0.25	± .010	DIMENSION STYLE <b>MM ONLY</b>	SCALE <b>2:1</b>	DESIGN UNITS <b>METRIC</b>	THIRD ANGLE PROJECTION
		mm	INCH																		
	4 PLACES	± .005	± .0005																		
	3 PLACES	± .005	± .0005																		
2 PLACES	± 0.13	± .005																			
1 PLACE	± 0.25	± .010																			
DRAWN BY JMENDOZA	DATE 2011/04/11	TITLE <b>IMPACT ORTHOGONAL DIRECT 5 PAIR RAM ASSEMBLY</b> <b>UNGUIDED SALES DRAWING</b>																			
CHECKED BY JB INGHAM	DATE 2011/04/12	APPROVED BY JB INGHAM																			
MATERIAL NO. <b>SEE CHART</b>	DATE 2011/04/21	MOLEX INCORPORATED		DOCUMENT NO. <b>SD-76725-001</b>	SHEET NO. <b>3 OF 4</b>																

# ORTHO POSITION 90°

OD-RAM PIN A1 MAPS  
TO RAF PIN Q10



ORTHO PIN MAPPING									
OPTION 90 (NEARSIDE - FAR SIDE)									
(A1-Q10)	A2-P10	(A3-M10)	A4-L10	(A5-J10)	A6-H10	(A7-F10)	A8-E10	(A9-C10)	A10-B10
B1-Q9	B2-N10	B3-M9	B4-K10	B5-J9	B6-G10	B7-F9	B8-D10	B9-C9	B10-A10
C1-P9	(C2-N9)	C3-L9	(C4-K9)	C5-H9	(C6-G9)	C7-E9	(C8-D9)	C9-B9	(C10-A9)
(D1-Q8)	D2-P8	(D3-M8)	D4-L8	(D5-J8)	D6-H8	(D7-F8)	D8-E8	(D9-C8)	D10-B8
E1-Q7	E2-N8	E3-M7	E4-K8	E5-J7	E6-G8	E7-F7	E8-D8	E9-C7	E10-A8
F1-P7	(F2-N7)	F3-L7	(F4-K7)	F5-H7	(F6-G7)	F7-E7	(F8-D7)	F9-B7	(F10-A7)
(G1-Q6)	G2-P6	(G3-M6)	G4-L6	(G5-J6)	G6-H6	(G7-F6)	G8-E6	(G9-C6)	G10-B6
H1-Q5	H2-N6	H3-M5	H4-K6	H5-J5	H6-G6	H7-F5	H8-D6	H9-C5	H10-A6
J1-P5	(J2-N5)	J3-L5	(J4-K5)	J5-H5	(J6-G5)	J7-E5	(J8-D5)	J9-B5	(J10-A5)
(K1-Q4)	K2-P4	(K3-M4)	K4-L4	(K5-J4)	K6-H4	(K7-F4)	K8-E4	(K9-C4)	K10-B4
L1-Q3	L2-N4	L3-M3	L4-K4	L5-J3	L6-G4	L7-F3	L8-D4	L9-C3	L10-A4
M1-P3	(M2-N3)	M3-L3	(M4-K3)	M5-H3	(M6-G3)	M7-E3	(M8-D3)	M9-B3	(M10-A3)
(N1-Q2)	N2-P2	(N3-M2)	N4-L2	(N5-J2)	N6-H2	(N7-F2)	N8-E2	(N9-C2)	N10-B2
P1-Q1	P2-N2	P3-M1	P4-K2	P5-J1	P6-G2	P7-F1	P8-D2	P9-C1	P10-A2
Q1-P1	(Q2-N1)	Q3-L1	(Q4-K1)	Q5-H1	(Q6-G1)	Q7-E1	(Q8-D1)	Q9-B1	(Q10-A1)

NOTE: PINOUTS SHOWN IN BALLOONS ARE GROUNDS.  
GROUND PATHS ARE NOT DISCRETE CIRCUITS.

SEE SHEET 1 EC NO: UCP2016-3973 DRWING: VARVARA 2015/08/24 CHKD: TELO 2016/02/22 APPR: TELO 2016/04/20	QUALITY SYMBOLS ▽=0 ▽=0 ▽=0	GENERAL TOLERANCES (UNLESS SPECIFIED)		DIMENSION STYLE <b>MM ONLY</b>		SCALE 2:1	DESIGN UNITS METRIC	THIRD ANGLE PROJECTION	
		4 PLACES ± --- ± ---		DRAWN BY DATE JMENDOZA 2011/04/11		TITLE IMPACT ORTHOGONAL DIRECT 5 PAIR RAM ASSEMBLY UNGUIDED SALES DRAWING			
		3 PLACES ± --- ± ---		CHECKED BY DATE JB INGHAM 2011/04/12		MOLEX MOLEX INCORPORATED			
		2 PLACES ± 0.13 ± ---		APPROVED BY DATE JB INGHAM 2011/04/21		MATERIAL NO. SEE CHART		DOCUMENT NO. SD-76725-001	
1 PLACE ± 0.25 ± ---		ANGULAR ± 1/2°		DRAFT WHERE APPLICABLE MUST REMAIN WITHIN DIMENSIONS		THIS DRAWING CONTAINS INFORMATION THAT IS PROPRIETARY TO MOLEX INCORPORATED AND SHOULD NOT BE USED WITHOUT WRITTEN PERMISSION			
REV: A2									