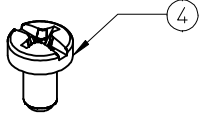
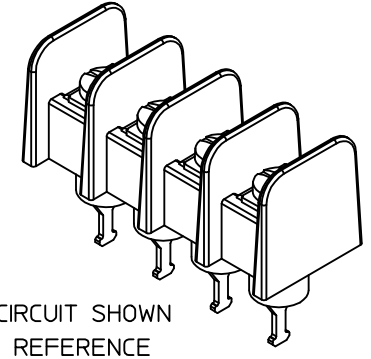
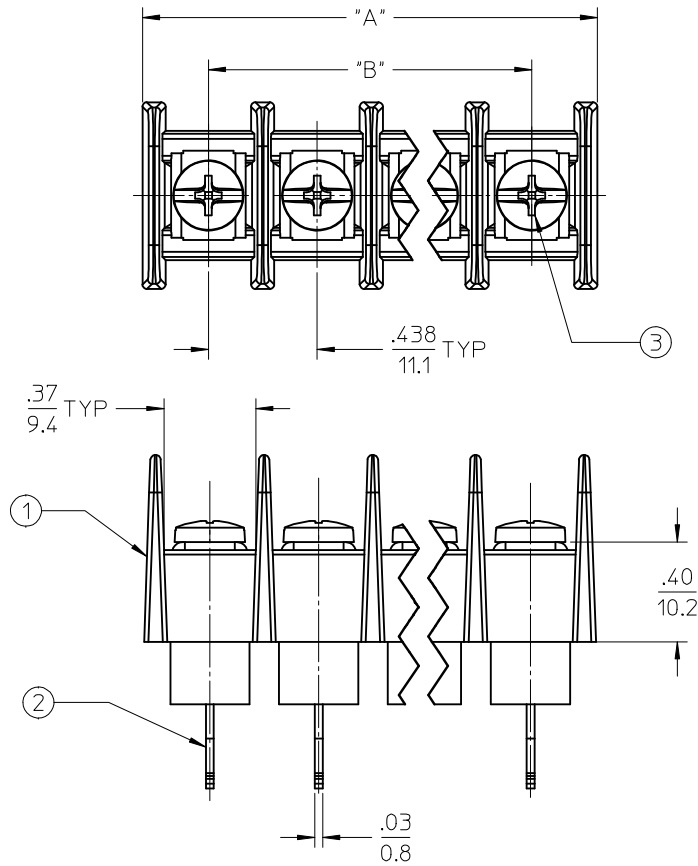
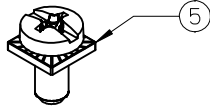


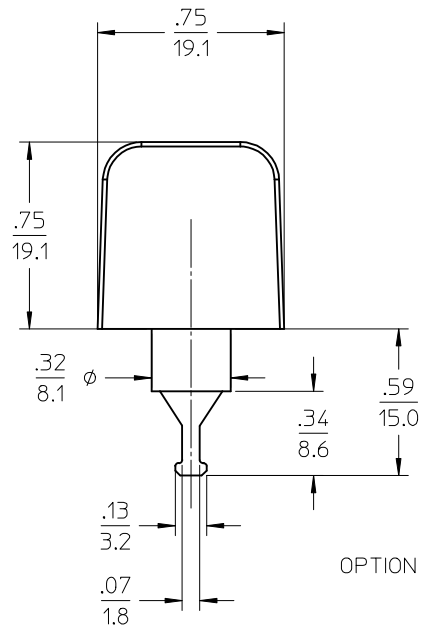
REF. -49 OPT. SCREW
(WHERE APPLICABLE)



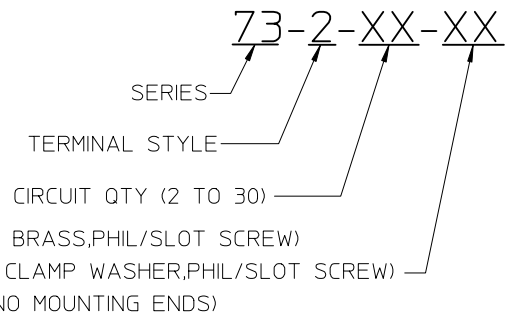
REF. -50 OPT. SCREW
(WHERE APPLICABLE)



4 CIRCUIT SHOWN
AS REFERENCE



PART NUMBER LEGEND



NOTES:

1. MATERIAL: SEE TABLE.
2. FINISHES: SEE TABLE.
3. PRODUCT SPECIFICATION: PS-38730-001.
4. "XX" REFERS TO THE QTY OF CIRCUITS.
5. ASSEMBLY IS RoHS COMPLIANT.

ITEM	QTY.	DESCRIPTION	MATERIAL	FINISH
5	XX	SCREW #6-32X.250 PAN PHS LZN/BR/STEEL -50	STEEL	ZINC
4	XX	SCREW #6-32X.250 BHD PHS LN/BRASS LUBE -49	BRASS	NICKEL
3	XX	SCREW #6-32X.250 BHD PHS LZN/STEEL LUBE	STEEL	ZINC
2	XX	TERM TURRET 6C SN/B	BRASS	TIN
1	1	SR BTS INSUL MO C	POLYESTER (PBT)	BLACK

RELEASED
EC NO: IPG2016-0008
DRAWN: SVMURTHY 2015/07/08
CHKD: RSTONE 2015/07/08
APPR: JFMURPHY 2016/07/11

QUALITY SYMBOLS
▽/0
▽/0
▽/0

GENERAL TOLERANCES (UNLESS SPECIFIED)

	mm	INCH
4 PLACES	± ---	± ---
3 PLACES	± ---	± .005
2 PLACES	± 0.13	± .01
1 PLACE	± 0.3	± ---
0 PLACE	± ---	± ---

ANGULAR ± 2°
DRAFT WHERE APPLICABLE
MUST REMAIN WITHIN DIMENSIONS

DIMENSION STYLE IN/MM
DRAWN BY SVMURTHY DATE 2015/07/08
CHECKED BY RSTONE DATE 2015/07/08
APPROVED BY JFMURPHY DATE 2016/07/11

SCALE 2:1
DESIGN UNITS INCH
THIRD ANGLE PROJECTION
TITLE
11.13MM [.438"] SR BTS ASSY, INSULATED TURRET TERM, NO MTG ENDS
molex
MATERIAL NO. SEE SHEET 2
DOCUMENT NO. SD-38730-3302
SHEET NO. 1 OF 2

# OF CIRCUITS "XX"	DIM. "A"		DIM. "B"	
	in	mm	in	mm
02	.97	25	.438	11.13
03	1.40	36	.876	22.24
04	1.84	47	1.313	33.35
05	2.28	58	1.751	44.46
06	2.72	69	2.188	55.58
07	3.15	80	2.626	66.69
08	3.59	91	3.063	77.80
09	4.03	102	3.501	89.91
10	4.47	113	3.938	100.03
11	4.90	125	4.376	111.14
12	5.34	136	4.813	122.25
13	5.78	147	5.251	133.36
14	6.22	158	5.688	144.48
15	6.65	169	6.126	155.59
16	7.09	180	6.563	166.70
17	7.53	191	7.001	177.81
18	7.97	202	7.438	188.93
19	8.40	213	7.876	200.04
20	8.84	225	8.313	211.15
21	9.28	236	8.751	222.26
22	9.72	247	9.188	233.38
23	10.15	258	9.626	244.49
24	10.59	269	10.063	255.60
25	11.03	280	10.501	266.71
26	11.47	291	10.938	277.83
27	11.90	302	11.376	288.94
28	12.34	313	11.813	300.05
29	12.78	325	12.251	311.16
30	13.22	336	12.688	322.28

RELEASED EC NO: ICG2016-0008 DRAWN: SVMURTHY 2015/07/08 CHKD: RSTONE 2015/07/08 APPR: JFMURPHY 2016/07/11 A	DESCRIPTION REV	QUALITY SYMBOLS $\nabla F/0$ $\nabla F/0$ $\nabla F/0$	GENERAL TOLERANCES (UNLESS SPECIFIED) mm INCH 4 PLACES \pm --- \pm --- 3 PLACES \pm --- \pm .005 2 PLACES \pm 0.13 \pm .01 1 PLACE \pm 0.3 \pm --- 0 PLACE \pm --- \pm ---	DIMENSION STYLE IN/MM DRAWN BY DATE SVMURTHY 2015/07/08 CHECKED BY DATE RSTONE 2015/07/08 APPROVED BY DATE JFMURPHY 2016/07/11	SCALE 2:1 DESIGN UNITS INCH THIRD ANGLE PROJECTION	TITLE 11.13MM [.438"] SR BTS ASSY, INSULATED TURRET TERM, NO MTG ENDS molex
		ANGULAR \pm 2 ° DRAFT WHERE APPLICABLE MUST REMAIN WITHIN DIMENSIONS	MATERIAL NO. 387303302	DOCUMENT NO. SD-38730-3302	SHEET NO. 2 OF 2	
		THIS DRAWING CONTAINS INFORMATION THAT IS PROPRIETARY TO MOLEX INCORPORATED AND SHOULD NOT BE USED WITHOUT WRITTEN PERMISSION				
		SIZE B				