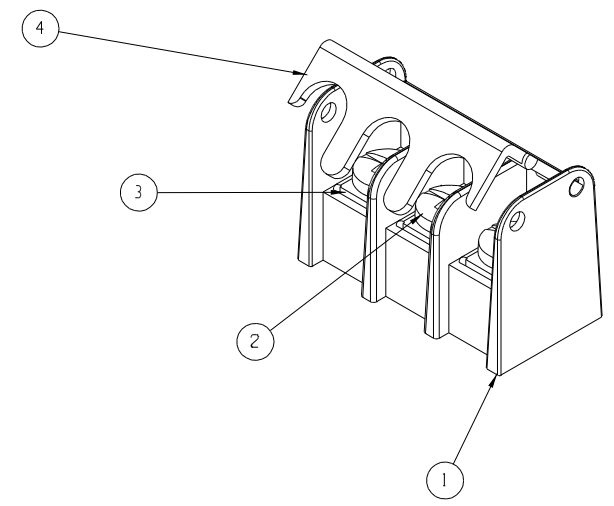
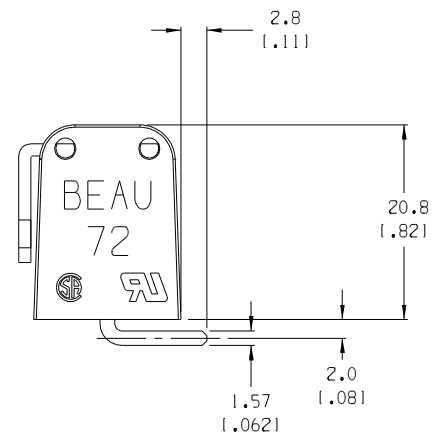
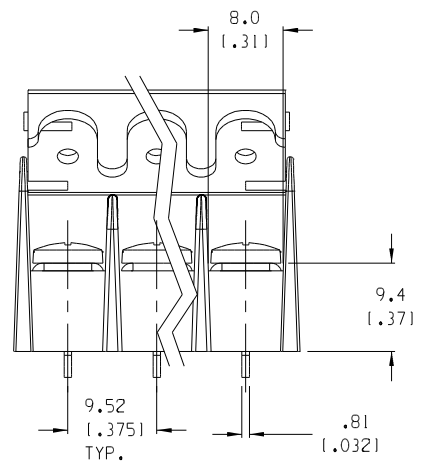
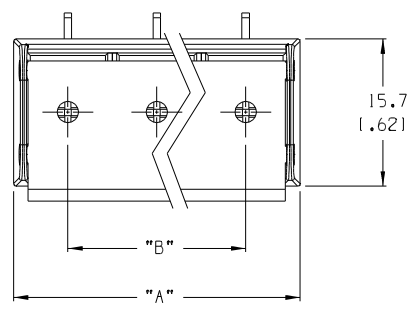


NUMBER OF CIRCUITS	"A" DIM.	"B" DIM.	MATERIAL NUMBER
03	30.68 (1.208)	19.05 (1.750)	387291280
05	49.73 (1.959)	38.10 (1.500)	387291527



- NOTES:
1. MATERIAL: SEE TABLE
 2. FINISHES: SEE TABLE
 3. PRODUCT SPECIFICATION: NOT REQUIRED
 4. INCH DIMS ARE SHOWN IN PARENTHESIS (XXX)
 5. "XX" REFERS TO THE NUMBER OF CIRCUITS

FRONT VIEW SHOWN
WITH COVER ROTATED UP

ITEM	QTY.	DESCRIPTION	MATERIAL	FINISH
4	1	HINGED COVER	THERPLASTIC	BLACK
3	3	TERMINAL RIGHT ANGLE	BRASS	TIN
2	3	SCREW #6-32 X .250 BINDING HEAD	STEEL	ZN, CLEAR CHROMATE
1	1	INSULATOR	VALOX 457 Δ	BLACK

EC NO. ECO 11590
 DRWN: RS 09-10-04
 CH'K: APPR:
 D

DESCRIPTION
 MAJOR \blacktriangledown
 CRITICAL ∇
 SPC ∇
 S ∇

REV

GENERAL TOLERANCES* (UNLESS SPECIFIED)	
mm	INCH
4 PLACES	± 0.015
3 PLACES	± 0.038 ± 0.005
2 PLACES	± 0.13 ± 0.01
1 PLACE	± 0.3

ANGULAR: $\pm 2^\circ$

DRAFT WHERE APPLICABLE MUST REMAIN WITHIN DIMENSIONS

SCALE	DESIGN UNITS
2:1	<input type="checkbox"/> mm <input checked="" type="checkbox"/> INCH

DRAWN BY & DATE
 R. KEMP 10-21-02

CHECKED BY & DATE
 R. STONE 10-23-02

APPROVED BY & DATE
 P. WALTZ 10-23-02

CAD FILENAME
 72R8XX-C-H- Δ

PROJECT NO. -		I	REV
DIMENSIONS:		SHT	REV
<input checked="" type="checkbox"/> mm INCH	<input type="checkbox"/> INCH mm	REVISE ON CAD ONLY	
TITLE: SR BTS, CS, PC RA, HINGED COVER			
MOLEX INCORPORATED			
MATERIAL NO. SEE CHART	DRAWING NO. SD-38729-025	SHEET NO. 1 OF 1	
THIS DRAWING CONTAINS INFORMATION THAT IS PROPRIETARY TO MOLEX INCORPORATED AND SHOULD NOT BE USED WITHOUT WRITTEN PERMISSION.			SIZE B