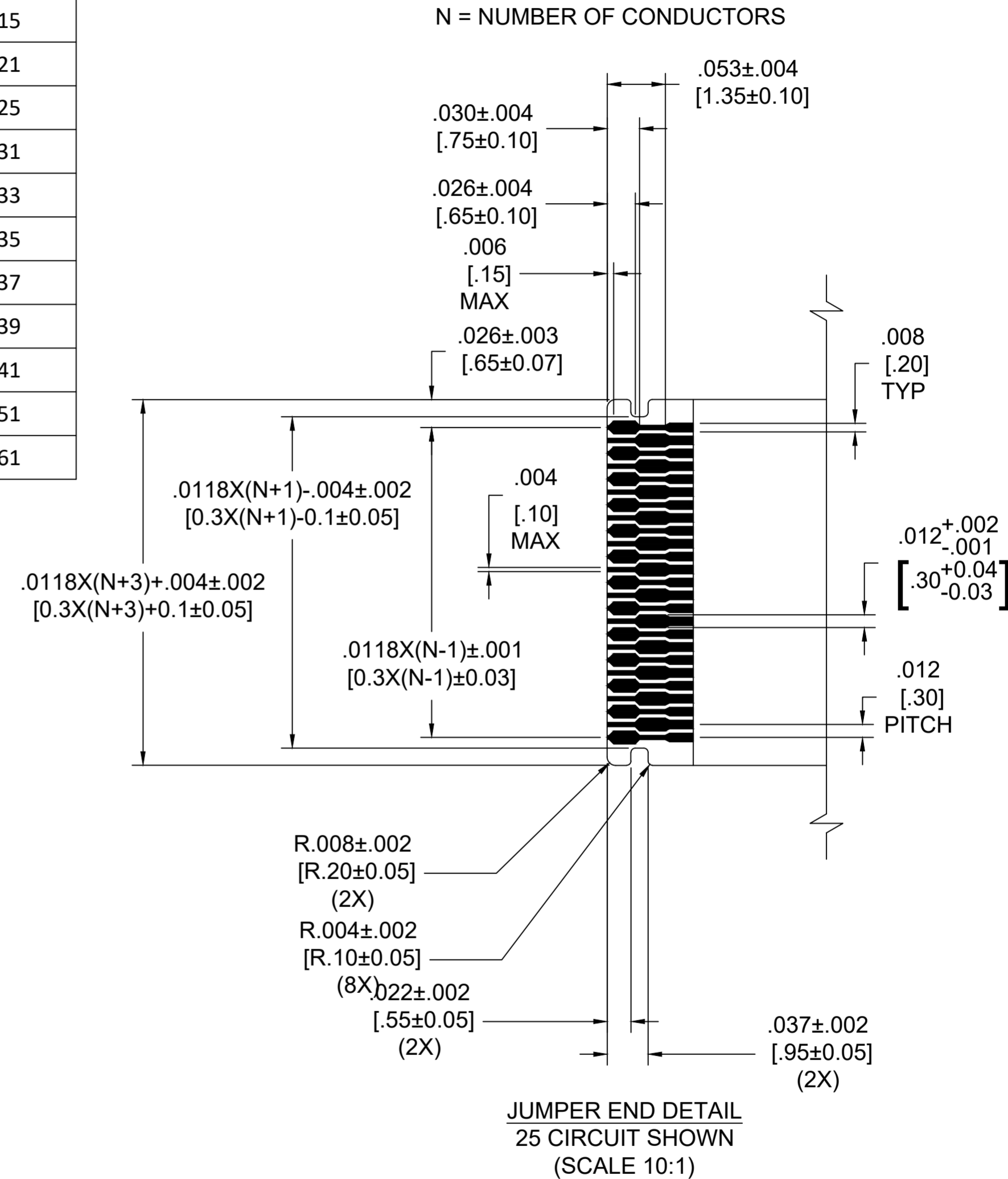
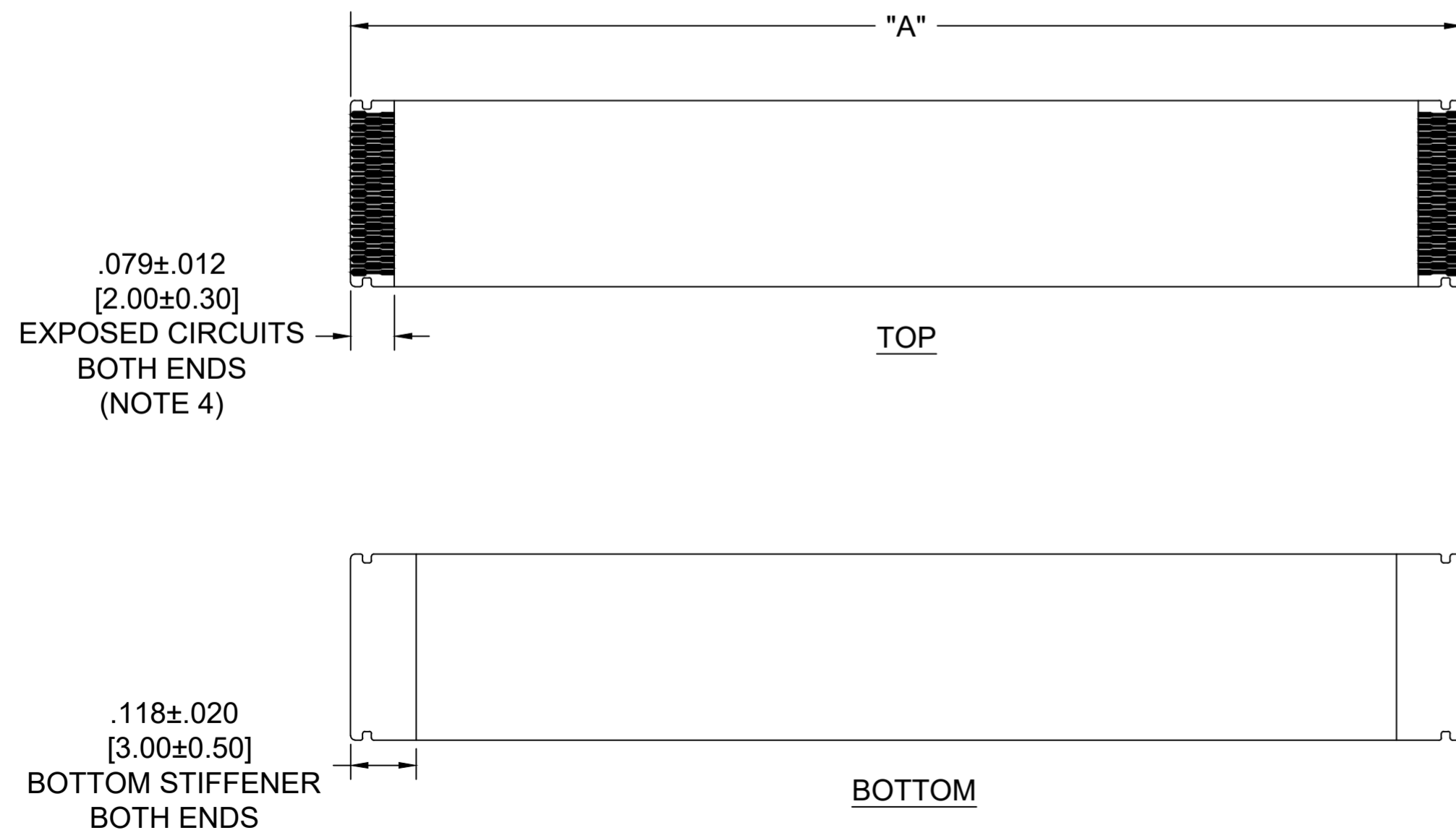


# 0.30MM CENTER FFC JUMPER CABLE CHART

| "A" DIM. | 2 ± .08 INCHES<br>51 ± 2 MM | 4 ± .16 INCHES<br>102 ± 4 MM | 6 ± .16 INCHES<br>152 ± 4 MM | 8 ± .20 INCHES<br>203 ± 5 MM | 10 ± .20 INCHES<br>254 ± 5 MM | 12 ± .20 INCHES<br>305 ± 5 MM |
|----------|-----------------------------|------------------------------|------------------------------|------------------------------|-------------------------------|-------------------------------|
| CKTS: 7  | 150310207                   | 150310407                    | 150310607                    | 150310807                    | 150311007                     | 150311207                     |
| CKTS: 9  | 150310209                   | 150310409                    | 150310609                    | 150310809                    | 150311009                     | 150311209                     |
| CKTS: 11 | 150310211                   | 150310411                    | 150310611                    | 150310811                    | 150311011                     | 150311211                     |
| CKTS: 15 | 150310215                   | 150310415                    | 150310615                    | 150310815                    | 150311015                     | 150311215                     |
| CKTS: 21 | 150310221                   | 150310421                    | 150310621                    | 150310821                    | 150311021                     | 150311221                     |
| CKTS: 25 | 150310225                   | 150310425                    | 150310625                    | 150310825                    | 150311025                     | 150311225                     |
| CKTS: 31 | 150310231                   | 150310431                    | 150310631                    | 150310831                    | 150311031                     | 150311231                     |
| CKTS: 33 | 150310233                   | 150310433                    | 150310633                    | 150310833                    | 150311033                     | 150311233                     |
| CKTS: 35 | 150310235                   | 150310435                    | 150310635                    | 150310835                    | 150311035                     | 150311235                     |
| CKTS: 37 | 150310237                   | 150310437                    | 150310637                    | 150310837                    | 150311037                     | 150311237                     |
| CKTS: 39 | 150310239                   | 150310439                    | 150310639                    | 150310839                    | 150311039                     | 150311239                     |
| CKTS: 41 | 150310241                   | 150310441                    | 150310641                    | 150310841                    | 150311041                     | 150311241                     |
| CKTS: 51 | 150310251                   | 150310451                    | 150310651                    | 150310851                    | 150311051                     | 150311251                     |
| CKTS: 61 | 150310261                   | 150310461                    | 150310661                    | 150310861                    | 150311061                     | 150311261                     |

### NOTES:

- SUBSTRATE AND COVERLAY MATERIAL IS .001" [25um] POLYIMIDE.
- CONDUCTOR IS 1/2 OZ (.0007") [18um] COPPER.
- PLATING IS 2 MICRO INCHES MINIMUM OF HARD GOLD OVER 100 MICRO INCHES MINIMUM OF NICKEL.
- TAIL ENDS ARE .008±.001 [0.20±0.03] THICK.
- JUMPER CABLES ARE SUITABLE FOR USE WITH MOLEX 504754 SERIES CONNECTOR.



|  |   |  |   |       |  |
|--|---|--|---|-------|--|
| FUNCTIONAL SYMBOLS                                   | THIS DRAWING CONTAINS INFORMATION THAT IS PROPRIETARY TO MOLEX ELECTRONIC TECHNOLOGIES, LLC AND SHOULD NOT BE USED WITHOUT WRITTEN PERMISSION |  |   |       |  |
|  | DIMENSION UNITS   |  | SCALE   |       | CURRENT REV DESC: PRODUCTION RELEASE   |
|  | <b>MM/INCH</b>  |  | <b>4:1</b>  |       |  |
| GENERAL TOLERANCES (UNLESS SPECIFIED)                |   |  |   |       |  |
| DIVISIONAL SYMBOLS                                   | 4 PLACES  |  | ±----   | ±---- | EC NO: 701160<br>DRWN: MIMIG 2022/03/28<br>CHK'D: JSMITH11 2022/03/30<br>APPR: JSMITH11 2022/03/30 |
|  | 3 PLACES  |  | ±----   | ±0.01 |  |
|  | 2 PLACES  |  | ±----   | ±0.03 |  |
|  | 1 PLACE   |  | ±----   | ±---- |  |
|  | 0 PLACES  |  | ±----   | ±---- |  |
| ANGULAR TOL ± 1.0 °                                  |   |  |   |       |  |
| DRAFT WHERE APPLICABLE MUST REMAIN WITHIN DIMENSIONS |   |  | THIRD ANGLE PROJECTION  |       | DRAWING SERIES<br><b>C-SIZE 15031</b>  |
|  |   |  | MATERIAL NUMBER CUSTOMER SHEET NUMBER<br><b>SEE CHART GENERAL MARKET 1 OF 1</b> |       |  |

**.3MM PITCH JUMPER CABLES**

PRODUCT CUSTOMER DRAWING

DOCUMENT NUMBER: **150310001** | DOC TYPE: PSD | DOC PART: 000 | REVISION: **A**