

# SmartSL

3rd Generation Intel® Atom™ Processor Ultra-slim Fanless Box Computer



Models shown with Optional Antennas Kit

## Features

- Wireless Communications: 4G WLAN, GPS, GSM/GPRS, and Bluetooth
- Ultra-slim size: 173 mm x 88 mm x 21.7 mm (6.81" x 3.46" x 0.85")
- 3rd Gen Intel® Atom™ Processor (formerly Bay Trail)
- Wide-Range DC voltage input
- Cableless, fanless system, aluminum alloy structure
- Two Mini PCIe interfaces
- SIM socket
- One mSATA socket
- 16-bit programmable GPIO
- Two RJ45 GbE
- One USB 3.0 port and four USB 2.0 ports
- One UART RS-232 port

## Specifications

### System

<b>CPU</b>	Intel® Atom™ E3815 1.46GHz, Single Core L2 cache, 512KB, 5W TDP
<b>Chipset</b>	Integrated in SoC
<b>Memory</b>	DDR3L 1GB with 1333 MT/s
<b>BIOS</b>	AMI Aptio® UEFI 2.x firmware
<b>Watchdog Timer</b>	Multistage watchdog

### Graphics

<b>Video Port Controller</b>	One DDI Intel® HD Graphics 7 <sup>th</sup> Generation
------------------------------	--

### Power

<b>DC Input</b>	9 - 32V
-----------------	---------

### External I/O

<b>Ethernet</b>	Two RJ45 GbE
<b>Digital I/O</b>	16-bit programmable GPIO
<b>USB 3.0 / 2.0</b>	One USB 3.0/2.0 port and four USB 2.0 ports
<b>COM</b>	One RS-232 port
<b>Audio</b>	One Mic-in / Line-out
<b>Wi-Fi/Cellular Application</b>	Supports Wi-Fi / LTE module(s) via two Mini PCIe interfaces

### Mechanical

<b>Dimensions (WxDxH)</b>	173(W) mm x 88(D) mm x 7(H) mm (6.81" x 3.46" x 0.85")
<b>Weight (net/gross)</b>	0.75kg
<b>Mounting</b>	Two Wall Mount brackets

### Storage

<b>SATA</b>	One mSATA socket
<b>SIM and USIM Socket Support</b>	Two SIM or USIM Sockets

### Other

<b>Antenna</b>	Three Antenna openings
----------------	------------------------

### Environment

<b>Operating Temperature</b>	-20°C - +60°C
<b>Storage Temperature</b>	Storage: -40°C - +85°C / Operation: 10% - 90%
<b>Operation Humidity</b>	10% - 90% Humidity, non-condensing
<b>Storage Humidity</b>	5% - 95% Humidity, non-condensing

### Certifications

	CE/CB/FCC Class A
--	-------------------

### OS Support

<b>Windows 7</b>	
<b>Linux</b>	
<b>Windows Embedded Compact 7</b>	
<b>Windows 8 Embedded</b>	

## Optional Accessories

### Wireless Module

<b>Wi-Fi Module</b>	Bointec DPE109A, WLAN 802.11abgn/AC2T2R with BT4.2 mini-PCIe half-size card support
<b>LTE Module</b>	Customer choice based on regional requirements

### Cable & Connectors

<b>CBL-S01</b>	One (data + power) cord
<b>TBP5-S03</b>	One 3-Pin, pitch 5.0mm Female Terminal Block Plug for DC input
<b>TBP3-S05</b>	One 5-Pin, pitch 3.81mm Female Terminal Block Plug for remote connector
<b>TBP3-D20</b>	One 2x10-Pin, pitch 2.54mm Female Terminal Block Plug for DIO connector

### TPM

	Infineon OPTIGA™ TPM SLB 9665 TPM 2.0
--	---------------------------------------

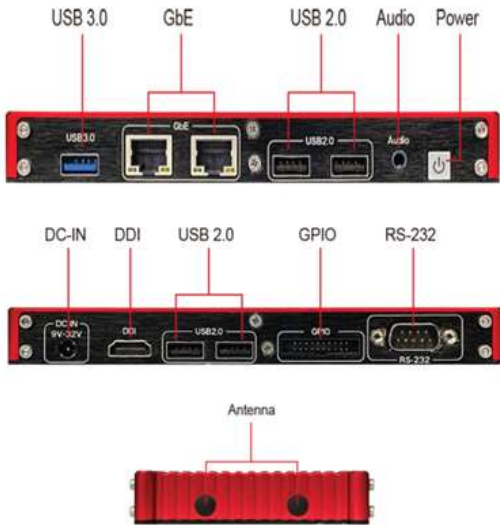
### Antenna Kits

<b>20140-000031-A.0</b>	Wi-Fi, one mini-PCIe half to full size adapter bracket, two antennas supporting IPX/MHF to SMA_JR 300 MM, WITH TWO 2.4G RP SMA Plugs (3dB)
<b>2014-000022-A.0</b>	Cellular, two antennas supporting IPX/MHF (Female) to SMA ST Jack (Male), 300 mm, two LTE 704-960/1710-2690MHz SMA ST Plug 2(dB) 50 Ω 161 mm

# SmartSL

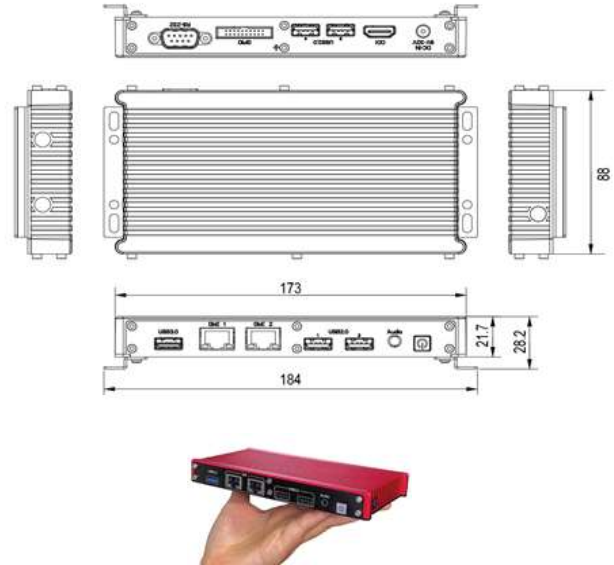
3rd Generation Intel® Atom™ Processor Ultra-slim Fanless Box Computer

## I/O Interface



## Dimensions

units: mm



## Order Information

### Part Number

**U7-131/E3815-1G-mSATA64G-P104B12-01** U7-100 Fanless Box PC, Intel® Atom™ E3815 (1x 1.46GHz, 512kB L2Cache, 5W), Memory DDR3L, 1GB/1067MHz on-board, 64GB mSATA, 40W Power Adapter & Cord.

## Packing List

1. One SmartSL Box Computer
2. AC-DC Power Adapter (24V/40W) with pitch 5.0mm 3-pin terminal block plug
3. AC-DC Power Cord YP-12/YC-12, plug type B, American (USA)
4. Two Wall Mount Brackets