



ON Semiconductor®

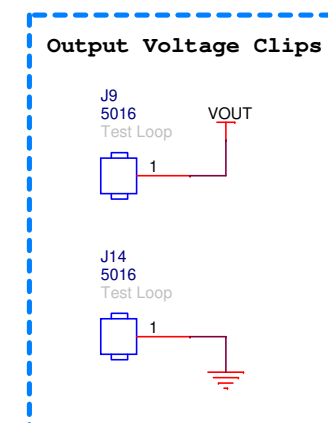
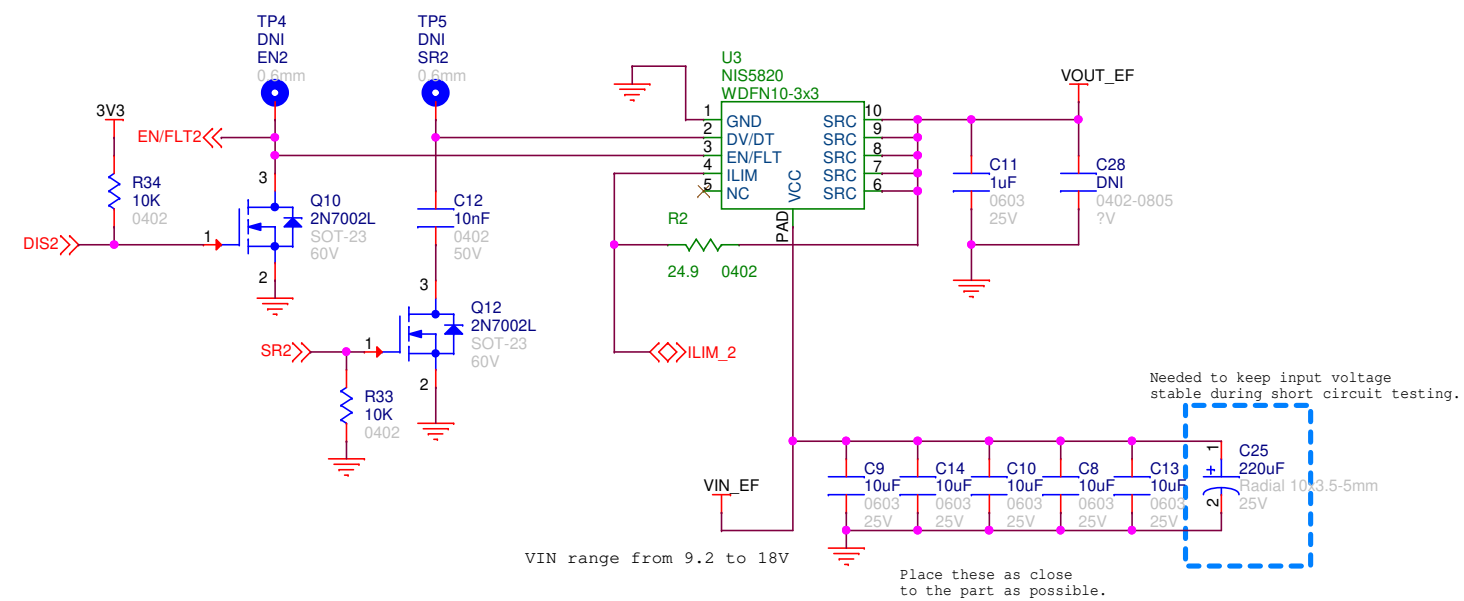
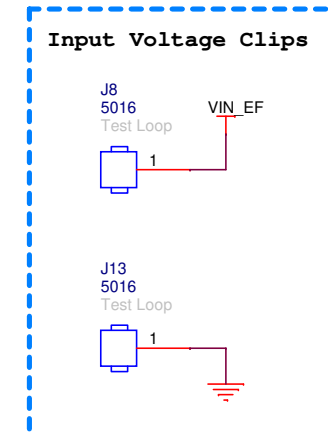
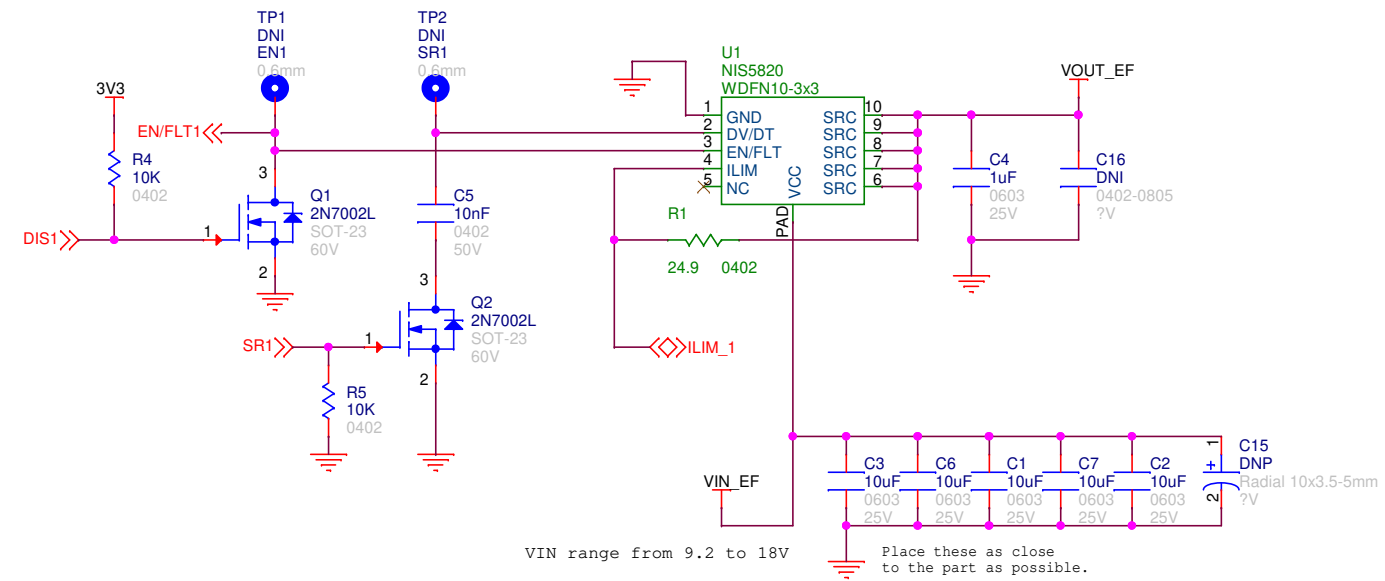
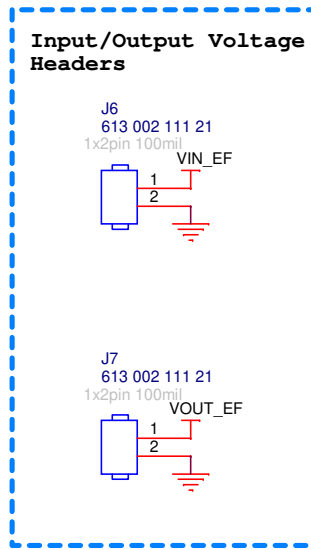
Strata Enabled eFuse

- Description
- Optional for Customer Design
- For Strata Connection Only. Not Required.

ON Semiconductor		
Title Strata Enabled eFuse		
Size Custom	Document Number ONSEC-19-007	Rev REV1
Date:	Tuesday, August 27, 2019	Sheet 1 of 5

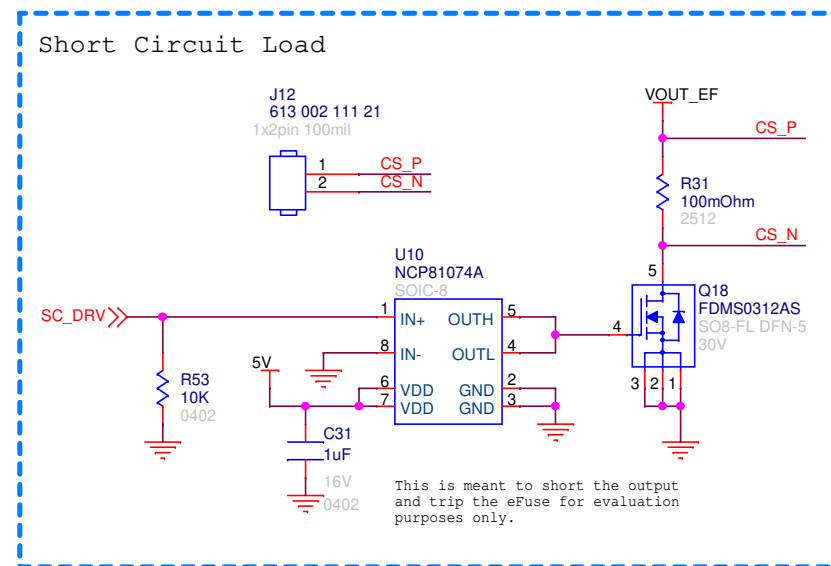
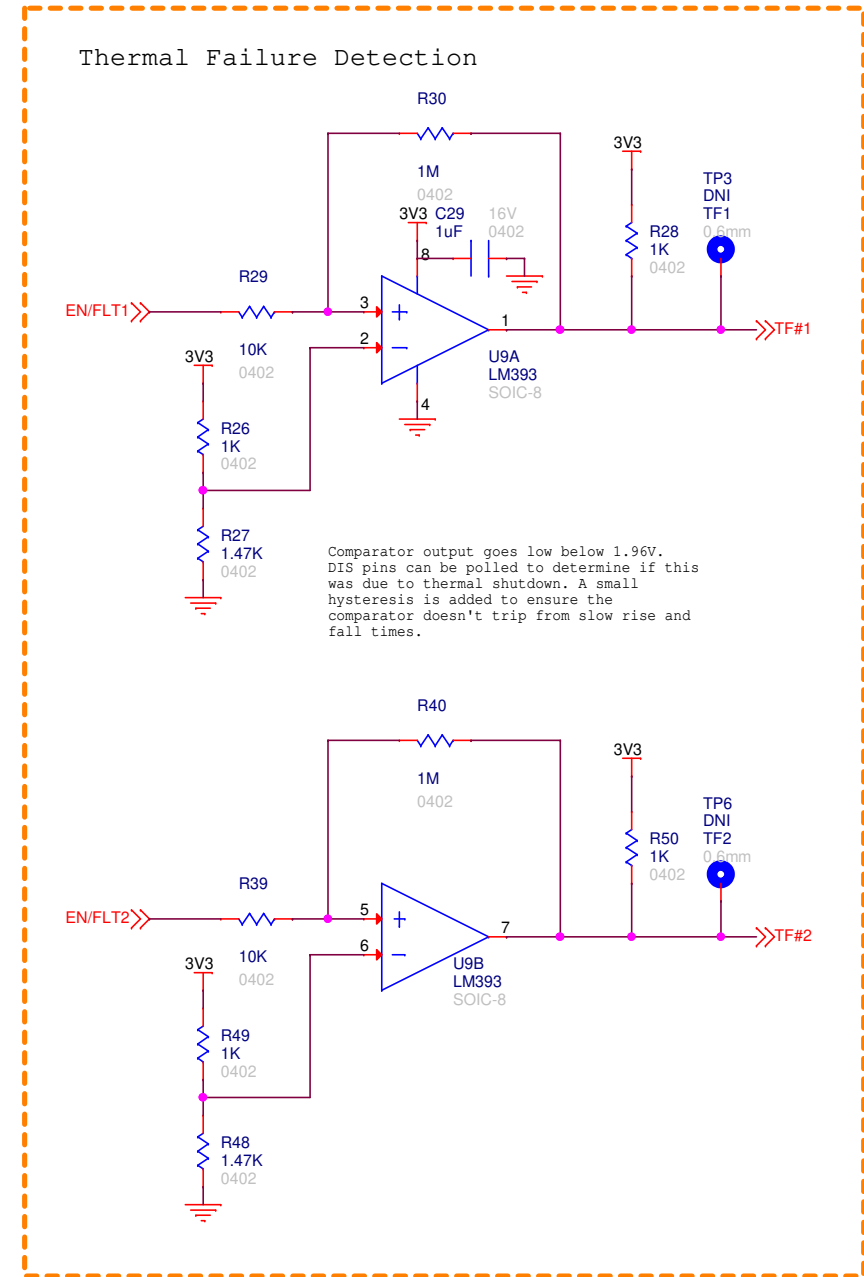
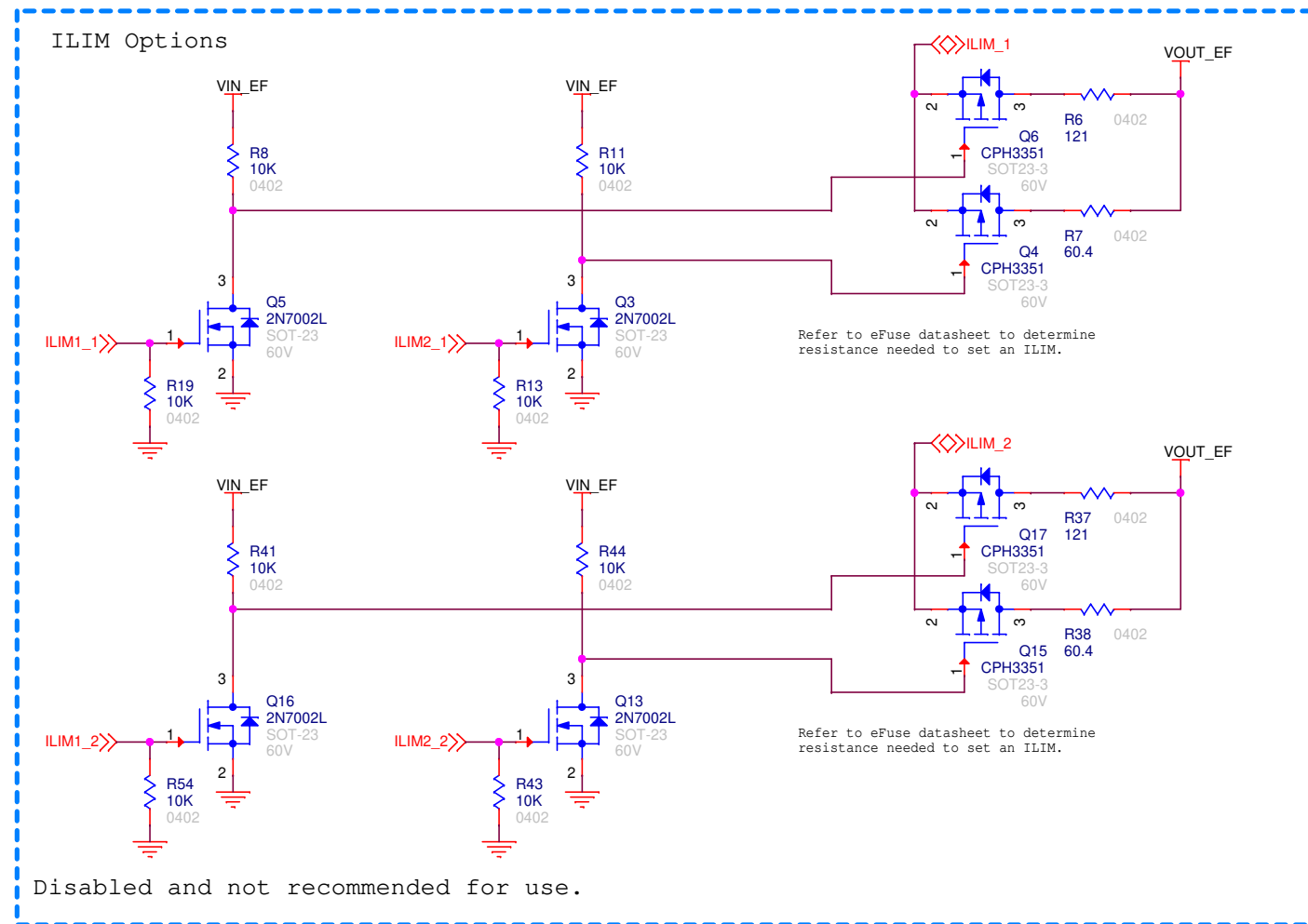
eFuse Schematic

Supported eFuses:
NIS5020, NIS5820, NIS5232, NIS5132



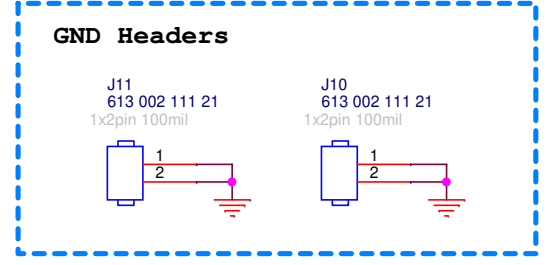
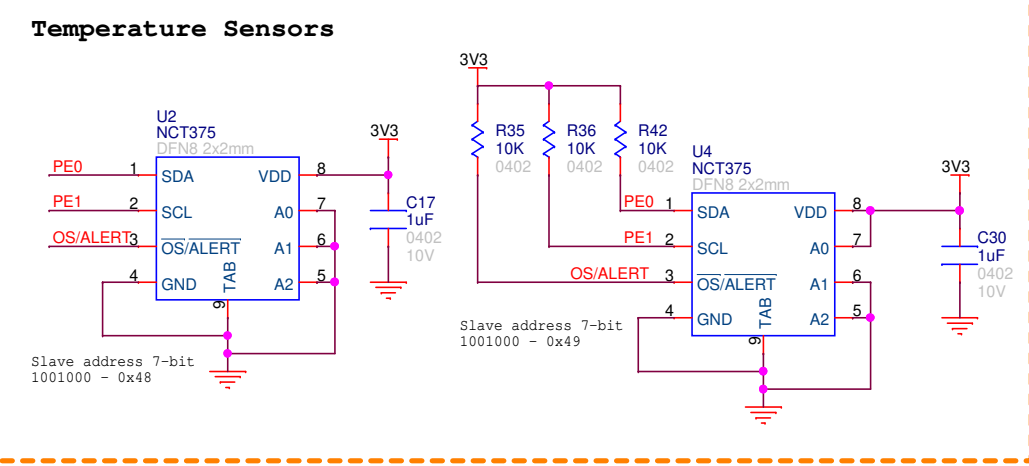
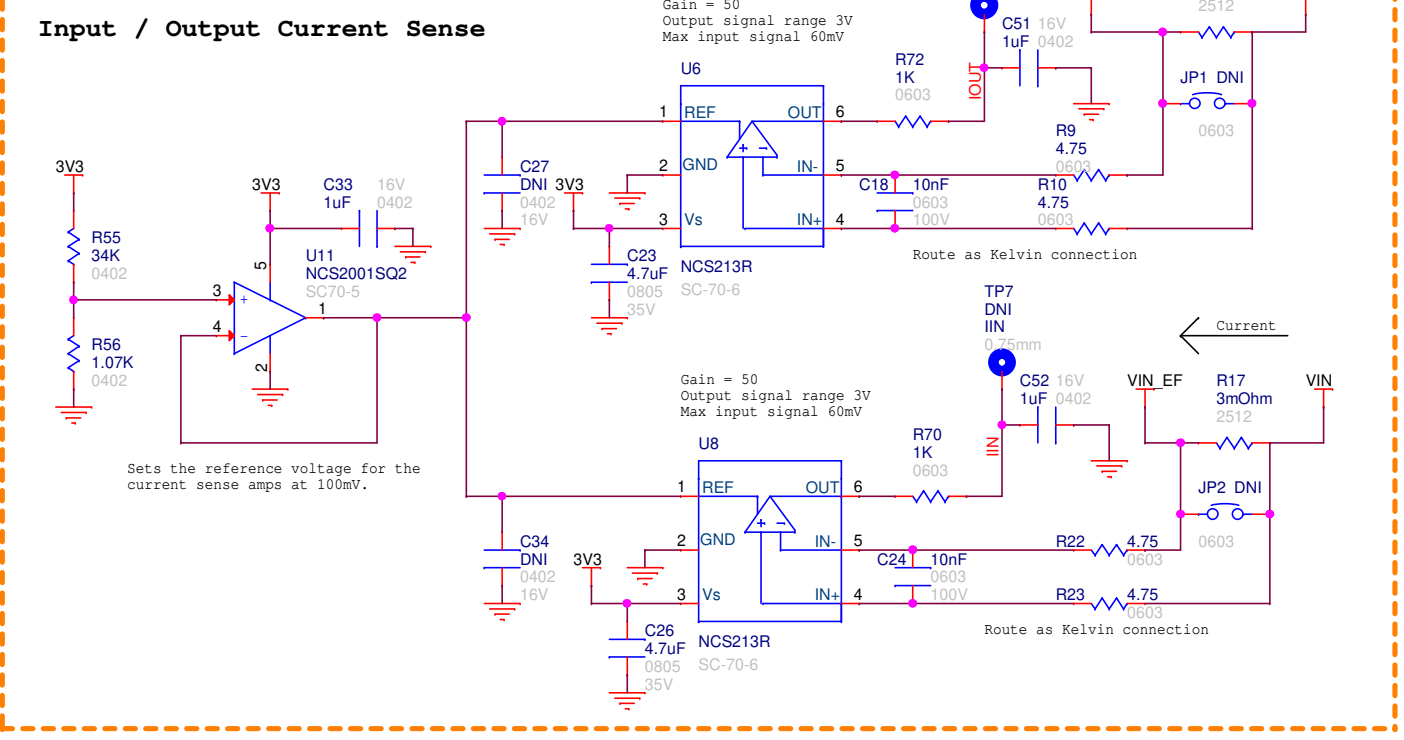
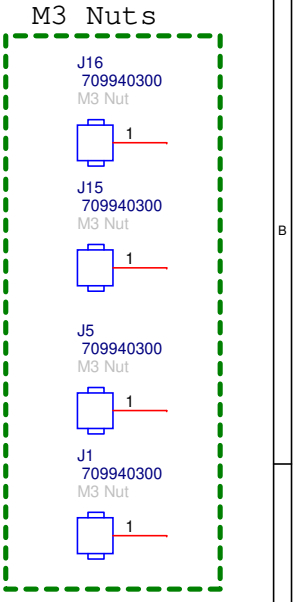
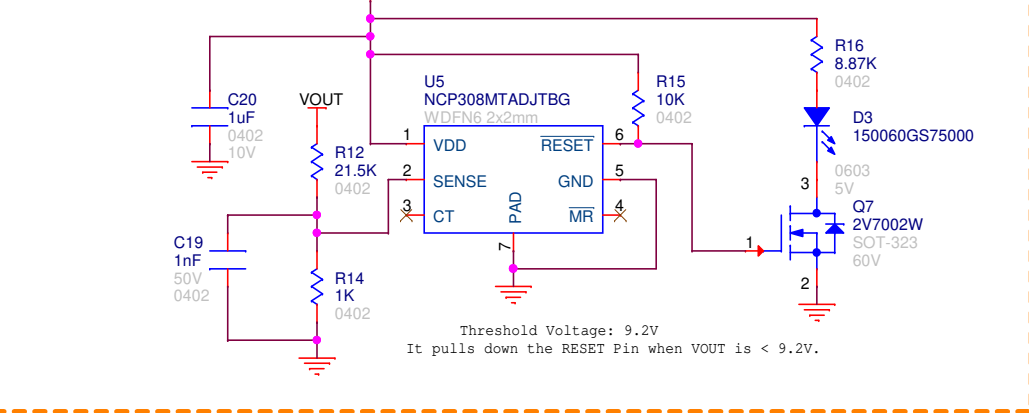
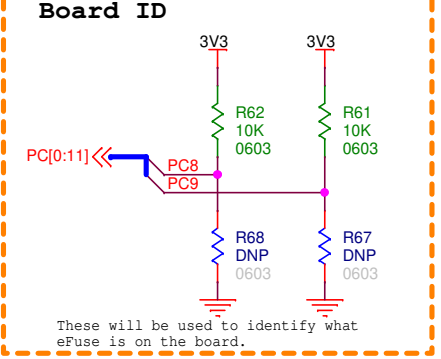
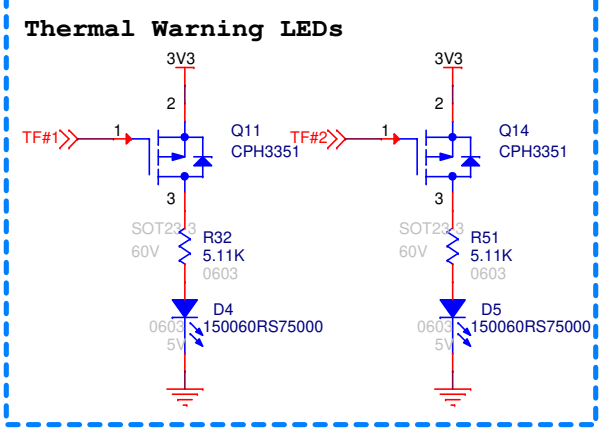
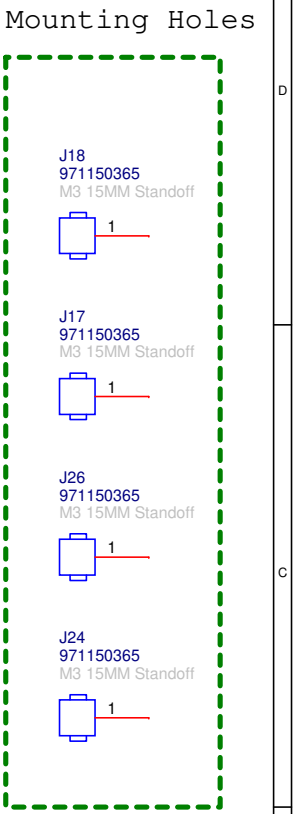
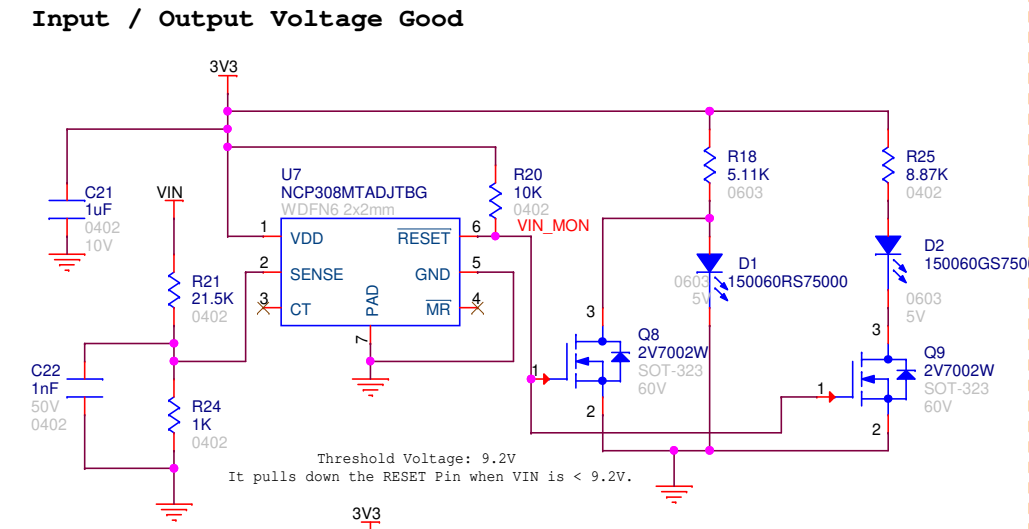
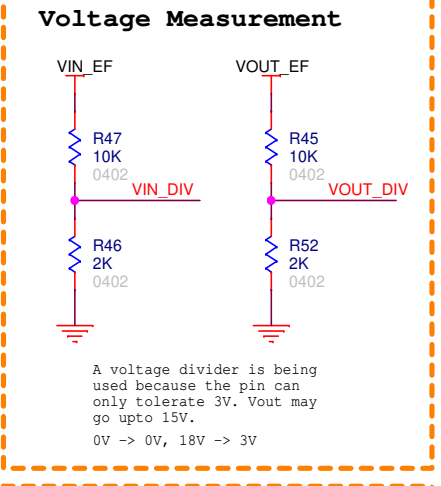
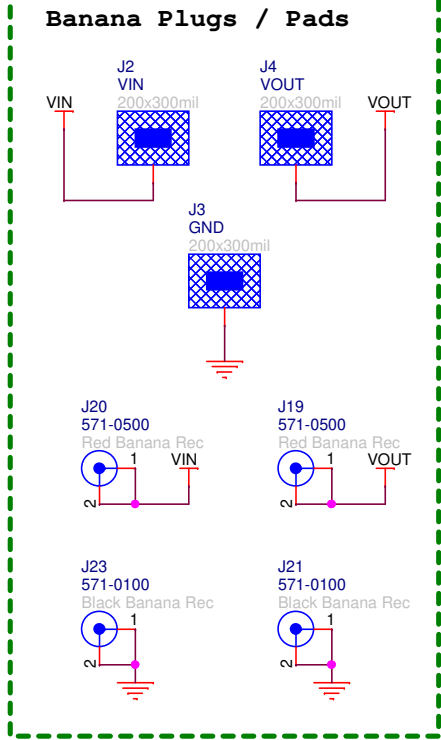
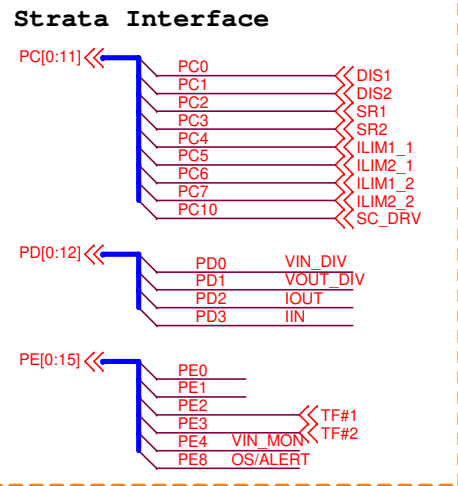
ON Semiconductor		
Title Strata Enabled eFuse		
Size Custom	Document Number ONSEC-19-007	Rev REV1
Date: Thursday, November 14, 2019	Sheet 2	of 5

Load/Thermal Interrupt

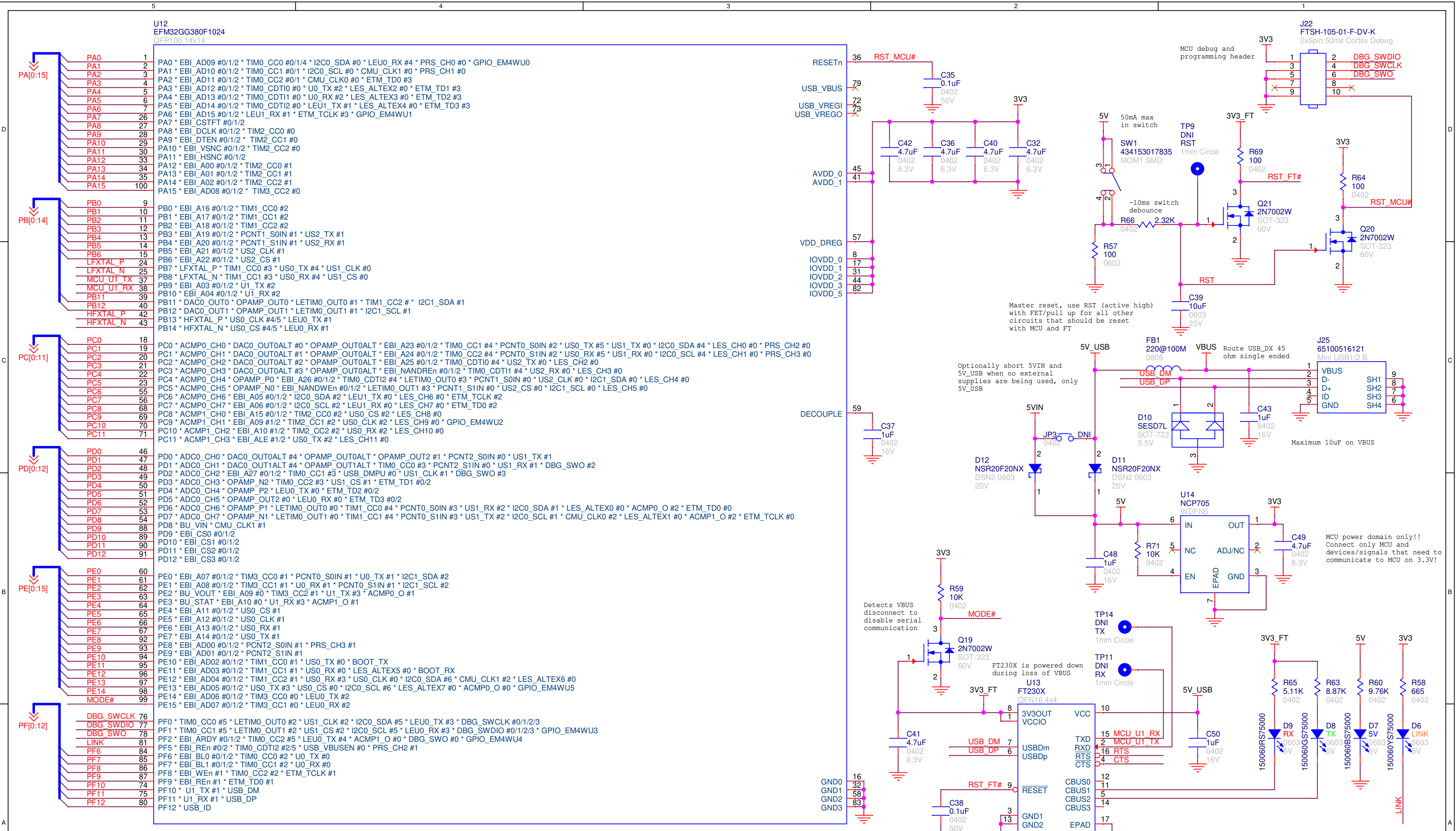


ON Semiconductor		
Title Strata Enabled eFuse		
Size Custom	Document Number ONSEC-19-007	Rev REV1
Date: Tuesday, November 12, 2019	Sheet 3	of 5

Strata Telemetry / Connectors



ON Semiconductor		
Title Strata Enabled eFuse		
Size Custom	Document Number ONSEC-19-007	Rev REV1
Date: Thursday, September 19, 2019	Sheet 4 of 5	



ON Semiconductor		
Title Strata Enabled E-Fuse		
Size Custom	Document Number ONSEC-19-007	Rev REV1
Date: Tuesday, August 27, 2019	Sheet 5 of 5	